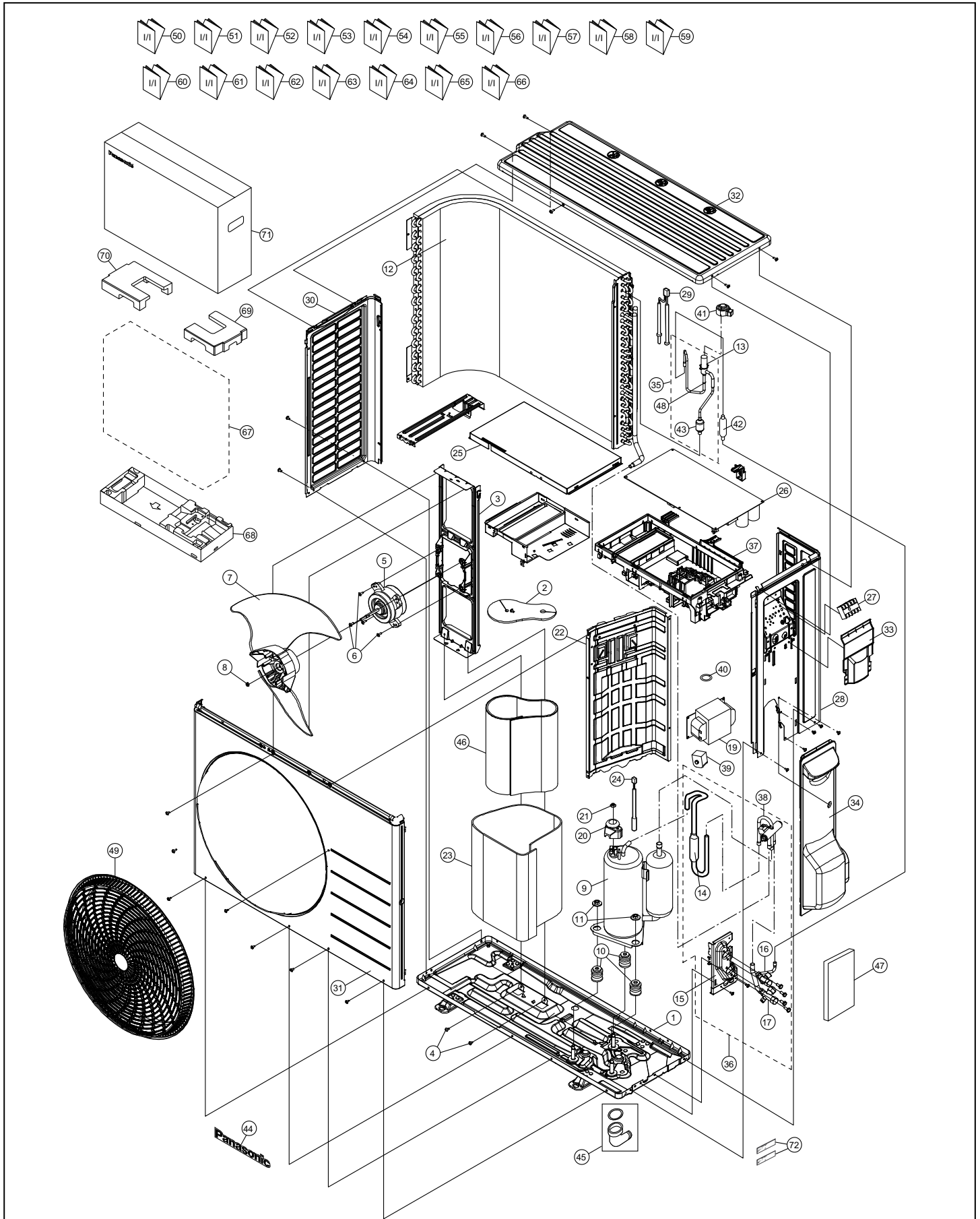


Ersatzteilliste CU-TZ50/60ZKE



Note
 The above exploded view is for the purpose of parts disassembly and replacement.
 The non-numbered parts are not kept as standard service parts.

Ersatzteilliste CU-TZ50/60ZKE

SAFETY	REF. NO.	PART NAME & DESCRIPTION	QTY.	CU-TZ50ZKE	CU-TZ60ZKE	REMARK
	1	BASE PAN ASSY	1	CWD52K1277	←	
	2	SOUND PROOF MATERIAL - COMP. TOP	1	ACXG30-11550	←	
	3	FAN MOTOR BRACKET	1	CWD541167	←	
	4	SCREW - FAN MOTOR BRACKET	2	ACXH55-07140	←	
⚠	5	FAN MOTOR	1	L6CAYYYL0180	←	O
	6	SCREW - FAN MOTOR MOUNT	4	CWH55252J	←	
	7	PROPELLER FAN ASSY	1	CWH03K1066	←	
	8	NUT - PROPELLER FAN	1	CWH56053J	←	
⚠	9	COMPRESSOR	1	9RD132XGB21	←	O
	10	ANTI - VIBRATION BUSHING	3	CWH50077	←	
	11	NUT - COMPRESSOR MOUNT	3	CWH561096	←	
	12	CONDENSER	1	ACXB32C12500	←	O
	13	EXPANSION VALVE	1	ACXB05-01260	←	
	14	DISCHARGE MUFFLER(4 W.VALVE)	1	ACXB12-01690	←	
	15	HOLDER COUPLING	1	CWH351233	←	
	16	2-WAYS VALVE (LIQUID)	1	ACXB02-03370	←	O
	17	3-WAY VALVE (GAS)	1	ACXB01-02280	←	O
⚠	19	REACTOR	1	G0C392J00027	←	O
	20	TERMINAL COVER	1	CWH171039A	←	
	21	NUT - TERMINAL COVER	1	CWH7080300J	←	
	22	SOUND PROOF BOARD	1	CWH151273	←	
	23	SOUND PROOF MATERIAL - SOUND PROOF BOARD	1	ACXG30-11430	←	
⚠	24	SENSOR CO-COMP TEMP	1	ACXA50C17680	←	O
	25	CONTROL BOARD COVER-TOP	1	CWH131473	←	
⚠	26	ELECTRONIC CONTROLLER - MAIN	1	ACXA73C90510R	ACXA73C90520R	O
⚠	27	TERMINAL BOARD ASSY	1	CWA28K1298	←	O
	28	CABINET SIDE PLATE CO.	1	ACXE04C05240	←	
⚠	29	SENSOR CO-AIR TEMP AND PIPE TEMP	1	CWA50C2893	←	O
	30	CABINET SIDE PLATE	1	ACXE04-13070A	←	
	31	CABINET FRONT PLATE COMP	1	ACXE06C04500	←	
	32	CABINET TOP PLATE	1	ACXE03-04830A	←	
	33	PLATE - C. B. COVER TERMINAL	1	CWH131470	←	
	34	CONTROL BOARD COVER CO.	1	ACXH13C02860-L	←	
	35	TUBE ASSY COMPLETE	1	ACXT00C43620	←	
	36	TUBE ASSY COMPLETE- 4 WAYS	1	ACXT00C43680	←	O
	37	CONTROL BOARD CASING	1	ACXH10-00930	←	
	38	4-WAYS VALVE	1	ACXB00-01290	←	
⚠	39	V-COIL COMPLETE (4-WAY VALVE)	1	ACXA43C00250	←	O
⚠	41	V-COIL COMPLETE (EXP.VALVE)	1	ACXA43C07230	←	O
	42	DISCHARGE MUFFLER	1	CWB121021	←	
	43	STRAINER	1	CWB11094	←	
	44	PANASONIC BADGE	1	CWE373439	←	
	45	ACCESSORY-COMPLETE	1	ACXH82C21740	←	
	46	SOUND PROOF MATERIAL - COMP. BODY	1	ACXG30-11560	←	
	47	SOUND PROOF MATERIAL	1	CWG302745	←	
	48	STRAINER	1	ACXB11-01560	←	
	49	DISCHARGE GRILLE	1	CWE201285	←	

Ersatzteilliste CU-TZ50/60ZKE



SAFETY	REF. NO.	PART NAME & DESCRIPTION	QTY.	CU-TZ50ZKE	CU-TZ60ZKE	REMARK
	50	INSTALLATION INSTRUCTION	1	ACXF60-47850	←	
	51	INSTALLATION INSTRUCTION	1	ACXF60-47860	←	
	52	INSTALLATION INSTRUCTION	1	ACXF60-47870	←	
	53	INSTALLATION INSTRUCTION	1	ACXF60-47880	←	
	54	INSTALLATION INSTRUCTION	1	ACXF60-47890	←	
	55	INSTALLATION INSTRUCTION	1	ACXF60-47900	←	
	56	INSTALLATION INSTRUCTION	1	ACXF60-47910	←	
	57	INSTALLATION INSTRUCTION	1	ACXF60-47920	←	
	58	INSTALLATION INSTRUCTION	1	ACXF60-47930	←	
	59	INSTALLATION INSTRUCTION	1	ACXF60-47940	←	
	60	INSTALLATION INSTRUCTION	1	ACXF60-47950	←	
	61	INSTALLATION INSTRUCTION	1	ACXF60-49380	←	
	62	INSTALLATION INSTRUCTION	1	ACXF60-49390	←	
	63	INSTALLATION INSTRUCTION	1	ACXF60-49400	←	
	64	INSTALLATION INSTRUCTION	1	ACXF60-49410	←	
	65	INSTALLATION INSTRUCTION	1	ACXF60-49420	←	
	66	INSTALLATION INSTRUCTION	1	ACXF60-49430	←	
	67	BAG	1	ACXG86-03760	←	
	68	BASE BOARD-COMPLETE	1	CWG62C1144	←	
	69	SHOCK ABSORBER - TOP RIGHT	1	ACXG70-14440A	←	
	70	SHOCK ABSORBER - TOP LEFT	1	ACXG70-14450A	←	
	71	C.C.CASE	1	ACXG50-48872	←	
	72	MODEL LABEL	2	ACXF85-99970	ACXF85-99980	

(NOTE)

- All parts are supplied from PAPAMY, Malaysia (Vendor Code: 00029488).
- "O" marked parts are recommended to be kept in stock.