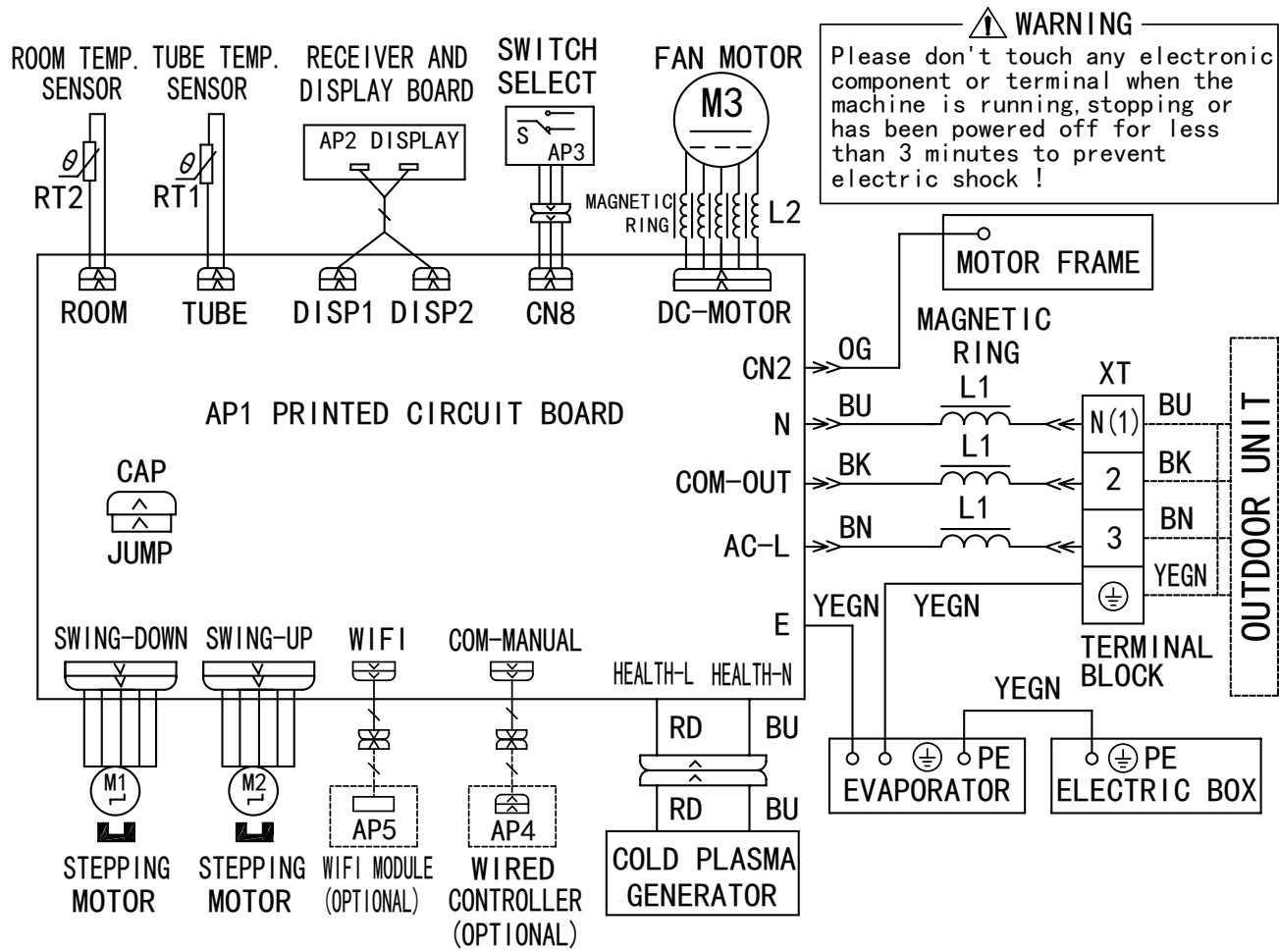
 <b>KRONE</b> Kälte+Klima Vertriebs-GmbH		
	bearbeitet:	geändert:
Name:	H.H.	
Datum:	19.08.2020	
Uhrzeit:		
Mono-Inverter Split-System Konsolgeräte GEH-K6-I / Inverter GEH-K6-0 <b>BiFlow</b>		



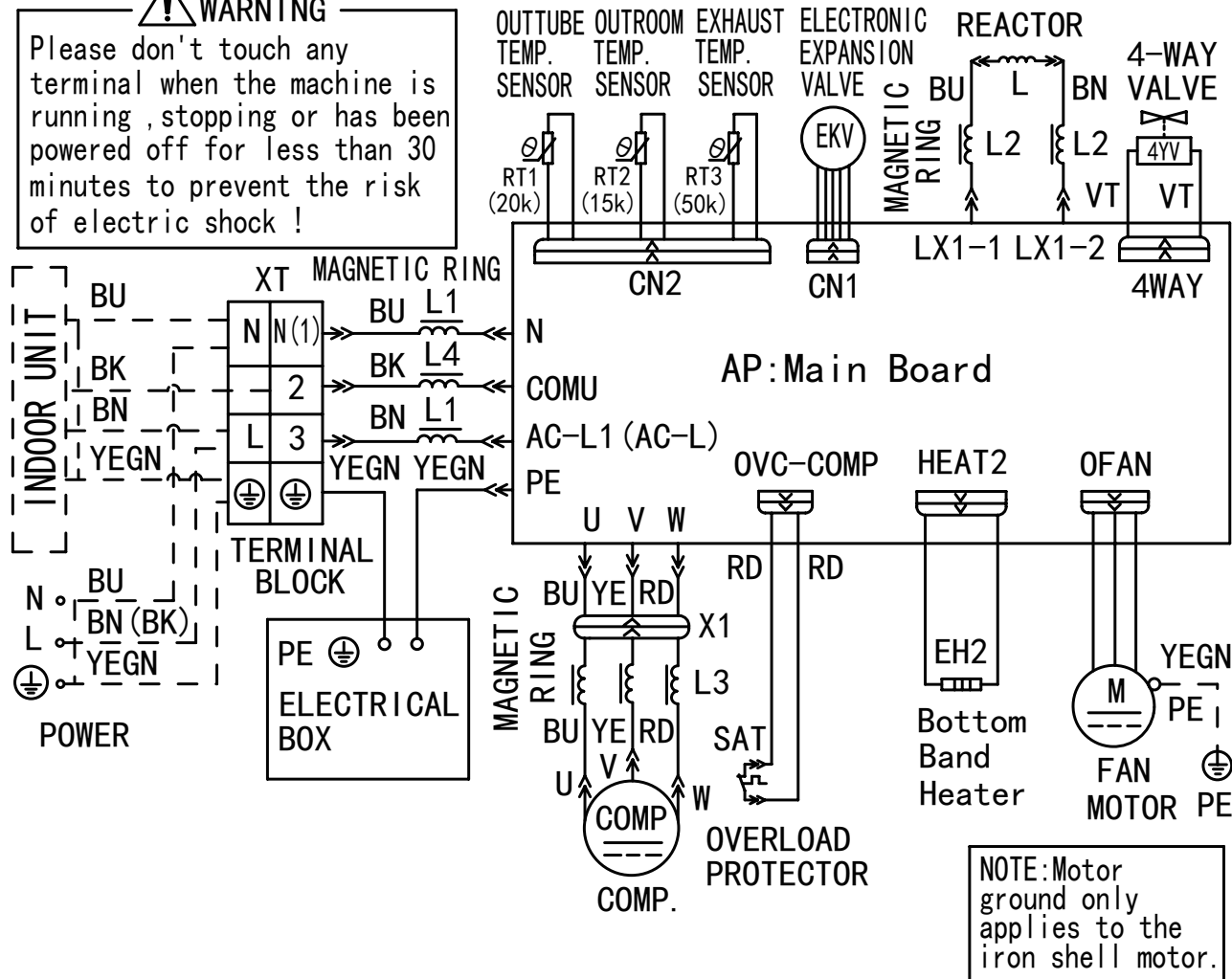
**⚠ WARNING**  
 Please don't touch any electronic component or terminal when the machine is running, stopping or has been powered off for less than 3 minutes to prevent electric shock !

<b>KRONE</b> Kälte+Klima Vertriebs-GmbH		
	bearbeitet:	geändert:
Name:	H.H.	
Datum:	19.08.2020	
Uhrzeit:		
Mono-Inverter Split-System Konsolgeräte GEH-K6-I/Inverter GEH-K6-O <b>GEH-12-K6-I BiFlow</b>		



**WARNING**

Please don't touch any terminal when the machine is running, stopping or has been powered off for less than 30 minutes to prevent the risk of electric shock!



NOTE: Motor ground only applies to the iron shell motor.

<b>KRONE</b> Kälte+Klima Vertriebs-GmbH		
	bearbeitet:	geändert:
Name:	H.H.	
Datum:	19.08.2020	
Uhrzeit:		
Mono-Inverter Split-System Konsolgeräte GEH-K6-I/Inverter GEH-K6-0 GEH-12-K6-0 BiFlow		