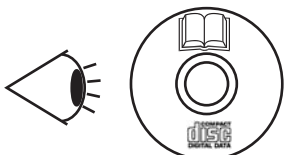


EN INSTRUCTION MANUAL
ES MANUAL DE INSTRUCCIONES
DE BEDIENUNGSANLEITUNG
FR MANUEL D'UTILISATION
IT MANUALE DI ISTRUZIONI

PT MANUAL DE INSTRUÇÕES
DA BRUGSANVISNING
NL INSTALLATIEHANDLEIDING
SV INSTALLATIONSHANDBOK
EL ΕΓΧΕΙΡΙΔΙΟ ΟΔΗΓΙΩΝ

DOMESTIC HOT WATER TANK DHWT-(200/300)S-3.0H2E



English

Specifications in this manual are subject to change without notice in order that HITACHI may bring the latest innovations to their customers.

Whilst every effort is made to ensure that all specifications are correct, printing errors are beyond Hitachi's control; HITACHI cannot be held responsible for these errors.

Español

Las especificaciones de este manual están sujetas a cambios sin previo aviso a fin de que HITACHI pueda ofrecer las últimas innovaciones a sus clientes.

A pesar de que se hacen todos los esfuerzos posibles para asegurarse de que las especificaciones sean correctas, los errores de impresión están fuera del control de HITACHI, a quien no se hará responsable de ellos.

Deutsch

Bei den technischen Angaben in diesem Handbuch sind Änderungen vorbehalten, damit HITACHI seinen Kunden die jeweils neuesten Innovationen präsentieren kann.

Sämtliche Anstrengungen wurden unternommen, um sicherzustellen, dass alle technischen Informationen ohne Fehler veröffentlicht worden sind. Für Druckfehler kann HITACHI jedoch keine Verantwortung übernehmen, da sie außerhalb ihrer Kontrolle liegen.

Français

Les caractéristiques publiées dans ce manuel peuvent être modifiées sans préavis, HITACHI souhaitant pouvoir toujours offrir à ses clients les dernières innovations.

Bien que tous les efforts sont faits pour assurer l'exactitude des caractéristiques, les erreurs d'impression sont hors du contrôle de HITACHI qui ne pourrait en être tenu responsable.

Italiano

Le specifiche di questo manuale sono soggette a modifica senza preavviso affinché HITACHI possa offrire ai propri clienti le ultime novità.

Sebbene sia stata posta la massima cura nel garantire la correttezza dei dati, HITACHI non è responsabile per eventuali errori di stampa che esulano dal proprio controllo.

Português

As especificações apresentadas neste manual estão sujeitas a alterações sem aviso prévio, de modo a que a HITACHI possa oferecer aos seus clientes, da forma mais expedita possível, as inovações mais recentes.

Apesar de serem feitos todos os esforços para assegurar que todas as especificações apresentadas são correctas, quaisquer erros de impressão estão fora do controlo da HITACHI, que não pode ser responsabilizada por estes erros eventuais.

Dansk

Specifikationerne i denne vejledning kan ændres uden varsel, for at HITACHI kan bringe de nyeste innovationer ud til kunderne. På trods af alle anstrengelser for at sikre at alle specifikationerne er korrekte, har Hitachi ikke kontrol over trykfejl, og Hitachi kan ikke holdes ansvarlig herfor.

Nederlands

De specificaties in deze handleiding kunnen worden gewijzigd zonder verdere kennisgeving zodat HITACHI zijn klanten kan voorzien van de nieuwste innovaties.

Iedere poging wordt ondernomen om te zorgen dat alle specificaties juist zijn. Voorkomende drukfouten kunnen echter niet door Hitachi worden gecontroleerd, waardoor Hitachi niet aansprakelijk kan worden gesteld voor deze fouten.

Svenska

Specifikationerna i den här handboken kan ändras utan föregående meddelande för att HITACHI ska kunna leverera de senaste innovationerna till kunderna.

Vi på Hitachi gör allt vi kan för att se till att alla specifikationer stämmer, men vi har ingen kontroll över tryckfel och kan därför inte hållas ansvariga för den typen av fel.

Ελληνικά

Οι προδιαγραφές του εγχειριδίου μπορούν να αλλάξουν χωρίς προειδοποίηση, προκειμένου η HITACHI να παρέχει τις τελευταίες καινοτομίες στους πελάτες της.

Αν και έχει γίνει κάθε προσπάθεια προκειμένου να εξασφαλιστεί ότι οι προδιαγραφές είναι σωστές, η Hitachi δεν μπορεί να ελέγξει τα τυπογραφικά λάθη και, ως εκ τούτου, δεν φέρει καμία ευθύνη για αυτά τα λάθη.



CAUTION

- *This product shall not be mixed with general house waste at the end of its life and it shall be retired according to the appropriated local or national regulations in a environmentally correct way.*
- *Contact to the corresponding authorities for more information.*

PRECAUCIÓN

- *Éste producto no se debe eliminar con la basura doméstica al final de su vida útil y se debe desechar de manera respetuosa con el medio ambiente de acuerdo con los reglamentos locales o nacionales aplicables.*
- *Para obtener más información, póngase en contacto con las autoridades competentes.*

VORSICHT

- *Dass Ihr Produkt am Ende seiner Betriebsdauer nicht in den allgemeinen Hausmüll geworfen werden darf, sondern entsprechend den geltenden örtlichen und nationalen Bestimmungen auf umweltfreundliche Weise entsorgt werden muss.*
- *Für weitere Informationen setzen Sie sich bitte mit den entsprechenden Behörden in Verbindung.*

ADVERTISSEMENT

- *Ne doit pas être mélangé aux ordures ménagères ordinaires à la fin de sa vie utile et qu'il doit être éliminé conformément à la réglementation locale ou nationale, dans le plus strict respect de l'environnement.*
- *Contactez les autorités correspondantes pour plus d'information..*

AVVERTENZE

- *Indicazioni per il corretto smaltimento del prodotto ai sensi della Direttiva Europea 2002/96/EC e Dlgs 25 luglio 2005 n.151*
- *Il simbolo del cassonetto barrato riportato sull'apparecchiatura indica che il prodotto alla fine della propria vita utile deve essere raccolto separatamente dagli altri rifiuti.*
- *L'utente dovrà, pertanto, conferire l'apparecchiatura giunta a fine vita agli idonei centri di raccolta differenziata dei rifiuti elettronici ed elettrotecnici, oppure riconsegnarla al rivenditore al momento dell'acquisto di una nuova apparecchiatura di tipo equivalente.*
- *L'adeguata raccolta differenziata delle apparecchiature dismesse, per il loro avvio al riciclaggio, al trattamento ed allo smaltimento ambientalmente compatibile, contribuisce ad evitare possibili effetti negativi sull'ambiente e sulla salute e favorisce il riciclo dei materiali di cui è composta l'apparecchiatura.*
- *Non tentate di smontare il sistema o l'unità da soli poichè ciò potrebbe causare effetti dannosi sulla vostra salute o sull'ambiente.*
- *Vogliate contattare l'installatore, il rivenditore, o le autorità locali per ulteriori informazioni.*
- *Lo smaltimento abusivo del prodotto da parte dell'utente può comportare l'applicazione delle sanzioni amministrative di cui all'articolo 50 e seguenti del D.Lgs. n. 22/1997.*

CUIDADO

- *O seu produto não deve ser misturado com os desperdícios domésticos de carácter geral no final da sua duração e que deve ser eliminado de acordo com os regulamentos locais ou nacionais adequados de uma forma correcta para o meio ambiente.*
- *Contacte as autoridades correspondentes para obter mais informações.*

ADVASEL!

- *At produktet ikke må smides ud sammen med almindeligt husholdningsaffald, men skal bortskaffes i overensstemmelse med de gældende lokale eller nationale regler på en miljømæssig korrekt måde.*
- *Kontakt de pågældende myndigheder for at få yderligere oplysninger.*

VOORZICHTIG

- *Dit houdt in dat uw product niet wordt gemengd met gewoon huisvuil wanneer u het weg doet en dat het wordt gescheiden op een milieuvriendelijke manier volgens de geldige plaatselijke en landelijke reguleringen.*
- *Neem contact op met de betreffende overheidsdienst voor meer informatie.*

FÖRSIKTIGHET

- *Det innebär att produkten inte ska slängas tillsammans med vanligt hushållsavfall utan kasseras på ett miljövänligt sätt i enlighet med gällande lokal eller nationell lagstiftning.*
- *Ta kontakt med ansvarig myndighet om du vill ha mer information.*

ΠΡΟΣΟΧΗ

- *Σημáινει ότι το προϊόν δεν θα πρέπει να αναμιχθεί με τα διάφορα οικιακά απορρίμματα στο τέλος του κύκλου ζωής του και θα πρέπει να αποσυρθεί σύμφωνα με τους κατάλληλους τοπικούς ή εθνικούς κανονισμούς και με τρόπο φιλικό προς το περιβάλλον.*
- *Για περισσότερες λεπτομέρειες, επικοινωνήστε με τις αντίστοιχες αρχές.*

MODELS CODIFICATION	Important note: Please, check, according to the model name, which is your air conditioner type, how it is abbreviated and referred to in this Instruction Manual. This Instruction Manual is only related to Domestic hot water tank (DHWT(200/300)S-3.0H2E).
CODIFICACIÓN DE MODELOS	Nota importante: Compruebe, de acuerdo con el nombre del modelo, el tipo de sistema de aire acondicionado del que dispone, su abreviatura y su referencia en este Manual de Instrucciones. Este manual de instrucciones hace referencia solo al depósito de agua caliente sanitaria (DHWT(200/300)S-3.0H2E).
MODELLCODES	Wichtiger Hinweis: Bitte stellen Sie anhand der Modellbezeichnung den Klimaanlagentyp und das entsprechende, in diesem Technischen Handbuch verwendete Kürzel fest. Das Technische Handbuch bezieht sich nur auf den Warmwasserspeicher (DHWT(200/300)S-3.0H2E).
CODIFICATION DES MODÈLES	Remarque importante : Veuillez déterminer, d'après le nom du modèle, quel est votre type de climatiseur et quelle est son abréviation et référence dans ce manuel d'instruction. Le présent manuel d'instructions ne concerne que les ballons d'eau chaude sanitaire (DHWT(200/300)S-3.0H2E).
CODIFICAZIONE DEI MODELLI	Nota importante: in base al nome del modello, verificare il tipo di condizionatore d'aria in possesso nonché il tipo di abbreviazione e di riferimento utilizzati in questo manuale di istruzioni. Questo manuale di istruzioni si riferisce solo al serbatoio di acqua calda domestica (DHWT(200/300)S-3.0H2E).
CODIFICAÇÃO DE MODELOS	Nota importante: De acordo com o nome do modelo, comprove o ar condicionado e a respetiva abreviatura e referência neste manual de instruções. Este manual refere-se exclusivamente ao depósito de água quente sanitária (DHWT(200/300)S-3.0H2E).
MODELKODIFICERING	Vigtig information: Tjek venligst dit klimaanlægs type i henhold til modelnavnet, hvordan det er forkortet, og hvilken reference det har i denne vejledning. Denne vejledning omfatter udelukkende varmtvandsbeholderen (DHWT(200/300)S-3.0H2E).
CODERING VAN DE MODELLEN	Belangrijke opmerking: Controleer aan de hand van de modelnaam welk type airconditioner u heeft, hoe de naam wordt afgekort en hoe ernaar wordt verwezen in deze installatiehandleiding. Deze handleiding is alleen bedoeld voor warmwaterketel (DHWT(200/300)S-3.0H2E).
MODELLER	Viktigt! Kontrollera med modellnamnet vilken typ av luftkonditionering du har, hur den förkortas och hur den anges i den här handboken. Denna handbok gäller endast för varmvattentanken för hushåll (DHWT(200/300)S-3.0H2E).
ΚΩΔΙΚΟΠΟΙΗΣΗ ΜΟΝΤΕΛΩΝ	Σημαντική σημείωση: Ελέγξτε, σύμφωνα με το όνομα μοντέλου, τον τύπο του δικού σας κλιματιστικού και με ποια σύντμηση δηλώνεται και αναφέρεται σε αυτό το εγχειρίδιο οδηγιών. Το εγχειρίδιο αυτό είναι μόνο για τη δεξαμενή ζεστού νερού οικιακής χρήσης (DHWT(200/300)S-3.0H2E).

DHW Tank - Depósito de ACS - Warmwasserspeicher - Ballon d'ECS - Serbatoio di ACD - Depósito de DHW - Varmtvandsbeholder - Warmwaterketel - Tappvarmvattentank - Δεξαμενή DHW	
	
1~ 230V 50Hz	
Unit - Unidad - Gerät - Unité - Unità - Unidade - Enhed - Unit - Enhet - Μονάδα	Unit - Unidad - Gerät - Unité - Unità - Unidade - Enhed - Unit - Enhet - Μονάδα
DHWT-200S-3.0H2E	DHWT-300S-3.0H2E
	

INDEX

- 1 GENERAL INFORMATION
- 2 SAFETY
- 3 INSTALLATION
- 4 BASIC TROUBLESHOOTING
- 5 DIMENSIONAL DRAWINGS
- 6 NAME OF PARTS
- 7 UNIT INSTALLATION
- 8 HYDRAULIC CIRCUIT
- 9 ELECTRICAL WIRING
- 10 SAFETY SUMMARY & CONTROL DEVICE SETTING
- 11 GENERAL STANDARD FOR HYDRAULIC INSTALLATION

INDEX

- 1 INFORMATIONS GÉNÉRALES
- 2 SÉCURITÉ
- 3 INSTALLATION
- 4 DÉPANNAGE DE BASE
- 5 SCHÉMAS DIMENSIONNELS
- 6 NOMENCLATURE DES PIÈCES
- 7 INSTALLATION DES UNITÉS
- 8 CIRCUIT HYDRAULIQUE
- 9 CÂBLAGE ÉLECTRIQUE
- 10 SOMMAIRE DES DISPOSITIFS DE SÉCURITÉ ET RÉGLAGE DES DISPOSITIFS DE CONTRÔLE
- 11 NORME GÉNÉRALE POUR L'INSTALLATION HYDRAULIQUE

ÍNDICE

- 1 INFORMACIÓN GENERAL
- 2 SEGURIDAD
- 3 INSTALACIÓN
- 4 RESOLUCIÓN DE PROBLEMAS BÁSICOS
- 5 GRÁFICOS DE DIMENSIONES
- 6 COMPONENTES
- 7 INSTALACIÓN DE LA UNIDAD
- 8 CIRCUITO HIDRÁULICO
- 9 CABLEADO ELÉCTRICO
- 10 RESUMEN DE SEGURIDAD Y AJUSTE DEL DISPOSITIVO DE CONTROL
- 11 NORMA GENERAL PARA LA INSTALACIÓN HIDRÁULICA

INDICE

- 1 INFORMAZIONI GENERALI
- 2 SICUREZZA
- 3 INSTALLAZIONE
- 4 RISOLUZIONE DEI PROBLEMI MINORI
- 5 DISEGNI DIMENSIONALI
- 6 NOME DEI COMPONENTI
- 7 INSTALLAZIONE DELL'UNITÀ
- 8 CIRCUITO IDRAULICO
- 9 COLLEGAMENTO DELLO SCHEMA ELETTRICO
- 10 PRECAUZIONI PER LA SICUREZZA E IMPOSTAZIONI DEL DISPOSITIVO DI CONTROLLO
- 11 STANDARD GENERALI PER L'INSTALLAZIONE IDRAULICA

INHALTSVERZEICHNIS

- 1 ALLGEMEINE INFORMATIONEN
- 2 SICHERHEIT
- 3 INSTALLATION
- 4 GRUNDLEGENDE FEHLERBEHEBUNG
- 5 MASSSTABGERECHTE ZEICHNUNGEN
- 6 TEILEBEZEICHNUNG
- 7 GERÄTEINSTALLATION
- 8 HYDRAULIKKREISLAUF
- 9 KABELANSCHLUSS
- 10 SICHERHEITSÜBERSICHT UND EINSTELLUNG DER STEUERGERÄTE
- 11 ALLGEMEINER STANDARD FÜR HYDRAULIKINSTALLATIONEN

ÍNDICE

- 1 INFORMAÇÃO GERAL
- 2 SEGURANÇA
- 3 INSTALAÇÃO
- 4 RESOLUÇÃO DE PROBLEMAS BÁSICOS
- 5 DESENHOS DIMENSIONAIS
- 6 NOME DAS PEÇAS
- 7 INSTALAÇÃO DA UNIDADE
- 8 CIRCUITO HIDRÁULICO
- 9 LIGAÇÕES ELÉTRICAS
- 10 RESUMO DE SEGURANÇA E AJUSTE DO DISPOSITIVO DE CONTROLO
- 11 NORMA GERAL PARA O SISTEMA HIDRÁULICO

INDHOLDSFORTEGNELSE

- 1 GENEREL INFORMATION
- 2 SIKKERHED
- 3 INSTALLATION
- 4 GRUNDLÆGGENDE FEJLFINDING
- 5 TEGNING MED MÅL
- 6 NAVN PÅ DELE
- 7 INSTALLATION AF ENHED
- 8 HYDRAULISK KREDSLØB
- 9 ELEKTRISK LEDNINGSFØRING
- 10 OVERSIGT OVER SIKKERHED OG INDSTILLING AF KONTROLENHEDER
- 11 GENERELLE BEMÆRKNINGER VEDR. HYDRAULISK INSTALLATION

INNEHÅLLSFÖRTECKNING

- 1 ALLMÄN INFORMATION
- 2 SÄKERHET
- 3 INSTALLATION
- 4 GRUNDLÄGGANDE FELSÖKNING
- 5 MÄTTRITNINGAR
- 6 DELARNAS NAMN
- 7 INSTALLATION AV ENHET
- 8 HYDRAULISK KRETS
- 9 ELEKTRISK ANSLUTNING
- 10 SÄKERHETSSAMMANFATTNING OCH INSTÄLLNING AV STYRANORDNINGAR
- 11 ALLMÄNNA FÖRESKRIFTER FÖR INSTALLATION AV HYDRAULIK

INHOUDSOPGAVE

- 1 ALGEMENE INFORMATIE
- 2 VEILIGHEID
- 3 INSTALLATIE
- 4 ELEMENTAIRE PROBLEMEN OPLOSSEN
- 5 MAATTEKENINGEN
- 6 NAMEN VAN ONDERDELEN
- 7 INSTALLATIE VAN DE UNIT
- 8 HYDRAULISCH CIRCUIT
- 9 ELEKTRISCHE BEDRADING
- 10 VEILIGHEIDSSAMENVATTING EN BESTURINGSINRICHTING
- 11 ALGEMENE STANDAARD VOOR HYDRAULISCHE INSTALLATIE

ΕΥΡΕΤΗΡΙΟ

- 1 ΓΕΝΙΚΕΣ ΠΛΗΡΟΦΟΡΙΕΣ
- 2 ΑΣΦΑΛΕΙΑ
- 3 ΕΓΚΑΤΑΣΤΑΣΗ
- 4 ΑΝΤΙΜΕΤΩΠΙΣΗ ΒΑΣΙΚΩΝ ΠΡΟΒΛΗΜΑΤΩΝ
- 5 ΣΧΕΔΙΑ ΔΙΑΣΤΑΣΕΩΝ
- 6 ΟΝΟΜΑΤΑ ΕΞΑΡΤΗΜΑΤΩΝ
- 7 ΕΓΚΑΤΑΣΤΑΣΗ ΜΟΝΑΔΩΝ
- 8 ΥΔΡΑΥΛΙΚΟ ΚΥΚΛΩΜΑ
- 9 ΗΛΕΚΤΡΙΚΗ ΚΑΛΩΔΙΩΣΗ
- 10 ΣΥΝΟΨΗ ΑΣΦΑΛΕΙΑΣ ΚΑΙ ΡΥΘΜΙΣΕΙΣ ΣΥΣΚΕΥΗΣ ΕΛΕΓΧΟΥ
- 11 ΓΕΝΙΚΟ ΠΡΟΤΥΠΟ ΓΙΑ ΥΔΡΑΥΛΙΚΗ ΕΓΚΑΤΑΣΤΑΣΗ

EN	English	Original version
ES	Español	Versión traducida
DE	Deutsch	Übersetzte Version
FR	Français	Version traduite
IT	Italiano	Versione tradotta
PT	Português	Versão traduzida
DA	Dansk	Oversat version
NL	Nederlands	Vertaalde versie
SV	Svenska	Översatt version
EL	Ελληνικά	Μεταφρασμένη έκδοση

1 GENERAL INFORMATION

No part of this publication may be reproduced, copied, filed or transmitted in any shape or form without the permission of HITACHI Air Conditioning Products Europe, S.A.U.

Within the policy of continuous improvement of its products, HITACHI Air Conditioning Products Europe, S.A.U. reserves the right to make changes at any time without prior notification and without being compelled to introducing them into products subsequently sold. This document may therefore have been subject to amendments during the life of the product.

HITACHI makes every effort to offer correct, up-to-date documentation. Despite this, printing errors cannot be controlled by HITACHI and are not its responsibility.

As a result, some of the images or data used to illustrate this document may not refer to specific models. No claims will be accepted based on the data, illustrations and descriptions included in this manual.

2 SAFETY

2.1 APPLIED SYMBOLS

During normal heat pump system design work or unit installation, greater attention must be paid in certain situations requiring particular care in order to avoid injuries an damage to the unit, the installation or the building or property.

Situations that jeopardise the safety of those in the surrounding area or that put the unit itself a risk will be clearly indicated in this manual.

To indicate these situations, a series of special symbols will be used to clearly identify these situations.

Pay close attention to these symbols and to the messages following them, as your safety and that of others depends on it.

DANGER

- *The text following this symbol contains information and instructions relating directly to your safety and physical wellbeing.*
- *Not taking these instructions into account could lead to serious, very serious or even fatal injuries to you and others in the proximities of the unit.*

In the text following the danger symbol you can also find information on safe procedures during unit installation.

CAUTION

- *The text following this symbol contains information and instructions relating directly to your safety and physical wellbeing.*
- *Not taking these instructions into account could lead to minor injuries to you and others in the proximities of the unit.*
- *Not taking these instructions into account could lead to unit damage.*

In the text following the caution symbol you can also find information on safe procedures during unit installation.

NOTE

- *The text following this symbol contains information or instructions that may be of use or that require a more thorough explanation.*
- *Instructions regarding inspections to be made on unit parts or systems may also be included.*

2.2 ADDITIONAL INFORMATION ABOUT SAFETY

DANGER

- **DO NOT CONNECT THE POWER SUPPLY TO THE INDOOR UNIT AND DHW TANK PRIOR TO FILLING BOTH CIRCUITS WITH WATER AND CHECKING WATER PRESSURE AND THE TOTAL ABSENCE OF ANY WATER LEAKAGE.**
- **Do not pour water over the electrical parts. If the electrical components are in contact with water a serious electrical shock will take place.**
- **Do not touch or adjust the safety devices inside the air to water heat pump. If these devices are touched or adjusted, a serious accident can take place.**
- **In case of fire Turn OFF the main switch, put out the fire at once and contact your service contractor.**
- **It must ensure that the DHW tank cannot operate accidentally without water neither with air inside hydraulic system.**

CAUTION

- *Do not use any sprays such as insecticide, lacquer, hair spray or other flammable gases within approximately one meter from the system.*
- *If installation circuit breaker or the unit fuse is often activated, stop the system and contact your service contractor.*
- *Do not make service or inspections tasks by yourself. This work must be performed by a qualified service person.*
- *This appliance must be used only by adult and capable people, having received the technical information or instructions to handle this appliance properly and safely.*
- *Children should be supervised to ensure that they do not play with the appliance.*
- *Do not let any foreign body into the water inlet and outlet piping of the DHW tank.*

2.3 IMPORTANT NOTICE

- The supplementary information about the purchased products is supplied in a CD-ROM, which can be found bundled with the indoor unit. In case that the CD-ROM is missing or it is not readable, please contact your HITACHI dealer or distributor.
- PLEASE READ THE MANUAL AND THE FILES ON THE CD-ROM CAREFULLY BEFORE STARTING TO WORK ON THE INSTALLATION OF THE AIR TO WATER HEAT PUMP SYSTEM. Failure to observe the instructions for installation, use and operation described in this documentation may result in operating failure including potentially serious faults, or even the destruction of the air to water heat pump system.
- **This document contains the information referred to the HITACHI DHW tank. The HITACHI DHW tank can be connected with the YUTAKI S, YUTAKI S80 indoor unit TYPE 1 or YUTAKI M. Please, refer to the Instruction manual (space heating information) or to the CD-ROM bundled with the unit for the complete information of the system.**
- Verify, in accordance with the manuals which appear in the outdoor, indoor unit and DHW tank, that all the information required for the correct installation of the system is included. If this is not the case, contact your distributor.
- HITACHI pursues a policy of continuous improvement in product design and performance. The right is therefore reserved to vary specifications without notice.
- HITACHI cannot anticipate every possible circumstance that might involve a potential hazard.
- No part of this manual may be reproduced without written permission.
- If you have any questions, contact your service contractor of HITACHI.
- Check and make sure that the explanations of each part of this manual correspond to your DHWT model.
- Refer to the models codification to confirm the main characteristics of your system.
- Signal words (NOTE, DANGER and CAUTION) are used to identify levels of hazard seriousness. Definitions for identifying hazard levels are provided in initial pages of this document.
- The operation modes of these units are controlled by the unit controller.
- This manual should be considered as a permanent part of the system. It gives a common description and information for this system which you operate as well as for other models.
- Keep the water temperature of the system above the freezing temperature.

	Min.	Max.
Tank operation Temperature	Out of Freeze	75°C

- This manual should be considered as a permanent part of the DHWT. This manual gives a common description and information for this DHWT
- The secondary circuit (domestic water circuit) should be fitted with a pressure and temperature relief valve (pressure setting 7 bar; temperature setting 90°C).
- The safety valve evacuating pipe must lead to a drain but this pipe must not be directly connected to the drain.
- The primary circuit (heating water circuit) should be fitted with a safety valve which is set at 3 bar, maximum Once the tank has been installed, firstly fill the secondary circuit (domestic water) and pressurise it.
- Once step 4 has been carried out, fill the primary circuit.
- If the main pipe is not a stainless steel pipe then dielectric bushes must be fitted at secondary circuit connections.
- If the cold water entry pressure is higher than the equipment's design pressure a pressure reducer must be fitted with a pressure setting of less than the design pressure.
- To prevent heat loss through the hot water pipe in night rate storage systems, an anti-thermal siphon should be fitted at the storage tank outlet. The hot water pipe should be lagged (at least up to the anti-thermal siphon).
- Return circuits should be avoided when made of copper.
- This installation is subject to building regulations approval, notify local authority of intention to install.
- Please, leave the manual with the householder after installation.
- Cylinder relief valve connections should not be used for any other purpose.
- Siphoning the water from the secondary circuit (instructions):
 - Isolate the tank from the net pressure, i.e. through a cut-off valve in the cold water inlet.
 - Open the relief valve of the tank.
 - The hot sanitary water tank is emptied by siphon effect, through the discharge tube of the relief valve attached to the cold water inlet tube at the bottom of the tank.

3 INSTALLATION

3.1 PRODUCT GUIDE

Unit type: Domestic Hot Water Tank								
Capacity (L) 200-300 Litres								
S= Stainless								
Position-separating hyphen (fixed)								
3.0 kW								
Electrical heater								
Series							E = Made in Europe	
DHWT	XXX	S	-	3.0	H	2	E	

3.2 GENERAL NOTES

3.2.1 Components at receipt



DHWT-(200/300)S-3.0H2E is a stainless steel indirect water heater. The product is designed for heating domestic hot water from an external heat source such as heat pump.

Unwrap the product carefully to avoid damage. Install the product on a flat, even surface designed to carry the full weight of the product when filled with water. Adjust the factory fitted adjustable feet as needed. The product must be installed in an upright, level position. All piping and electrical work must be performed by an authorized installer.

Before filling unit with water it is recommended to fit the electric power cable, see [“9.5 Electric heater”](#).

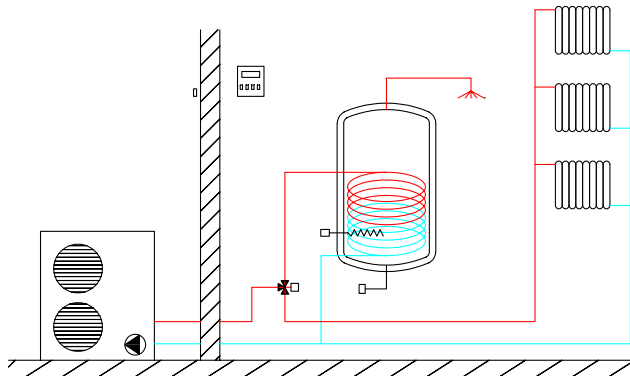
On tilted floors the appliance must be installed upright and level by adjusting the built-in feet. Units must be securely fastened to the wall.

This appliance is intended to be permanently connected to the main water supply.

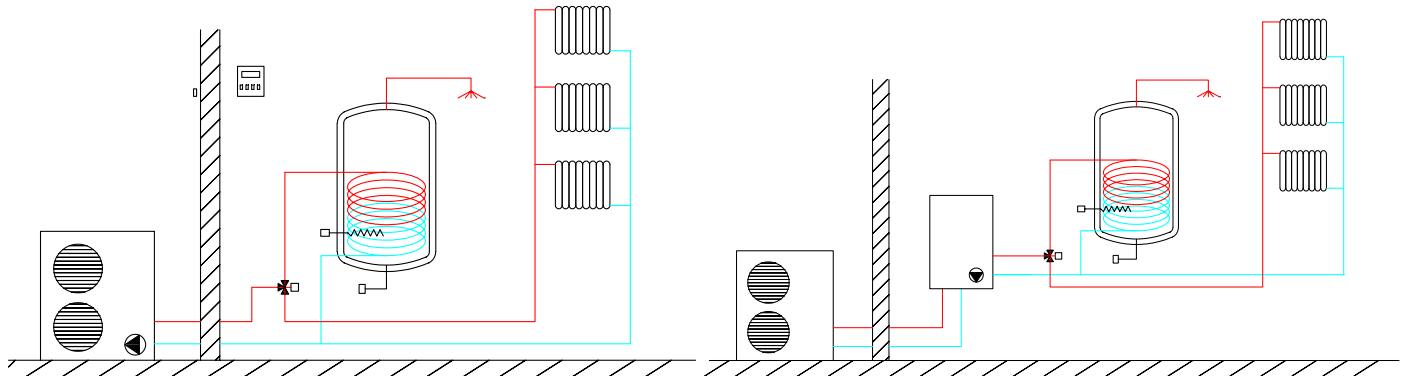
Only safety valve approved to NBI 06870/387 is allowed for use with this product.

3.3 INSTALLATION EXAMPLES

◆ YUTAKI M heating installations



◆ YUTAKI S & S80 heating installations



i NOTE

For more information refer to Installation Manual of Yutaki System.

4 BASIC TROUBLESHOOTING

! CAUTION

- When water leakage occurs, stop the operation and contact your contractor.
- When you smell or white smoke occurs from the DHWT, stop the system and contact your contractor.

◆ NO OPERATION

- Check whether the SET TEMPERATURE of YUTAKI system is set at the correct temperature.
- Check electrical connection from Unit and DHWT (Fuse or Circuit Breaker operation)
- Check Water Temperature and possible Thermostat Cut-Out activation (if higher than 90°C > thermostat Cut-Out)
- Check Water Pressure and Water Flow (at least 0.1MPa.)
- Check that manual thermostat of DHWT are set at maximum water set point by YUTAKI System control (Check water set point by Anti-Legionella)

◆ NOT HEATING WELL

- Check for obstruction of water flow inside Water Circuit.
- Check if the water pressure conditions is not within the operating range.
- Check electrical connection from Controller System and DHWT.
- In case of non-functioning heater should be checked.

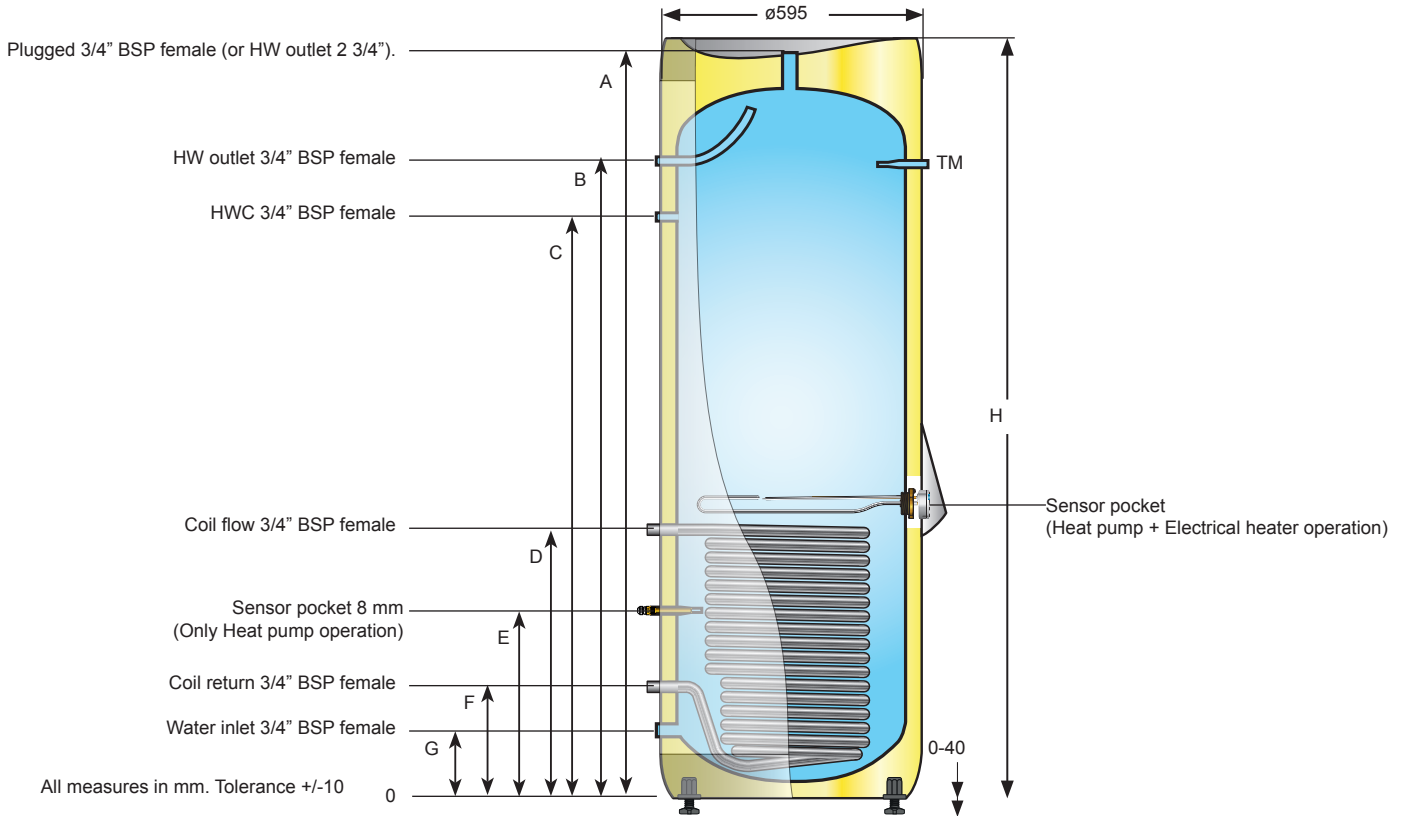
◆ IF TROUBLE STILL REMAINS...

If the trouble still remains even after checking the above items, contact your service contractor and inform the following data:

- Unit Model Name
- Trouble description

5 DIMENSIONAL DRAWINGS

5.1 DHWT(200/300)S-3.0H2E

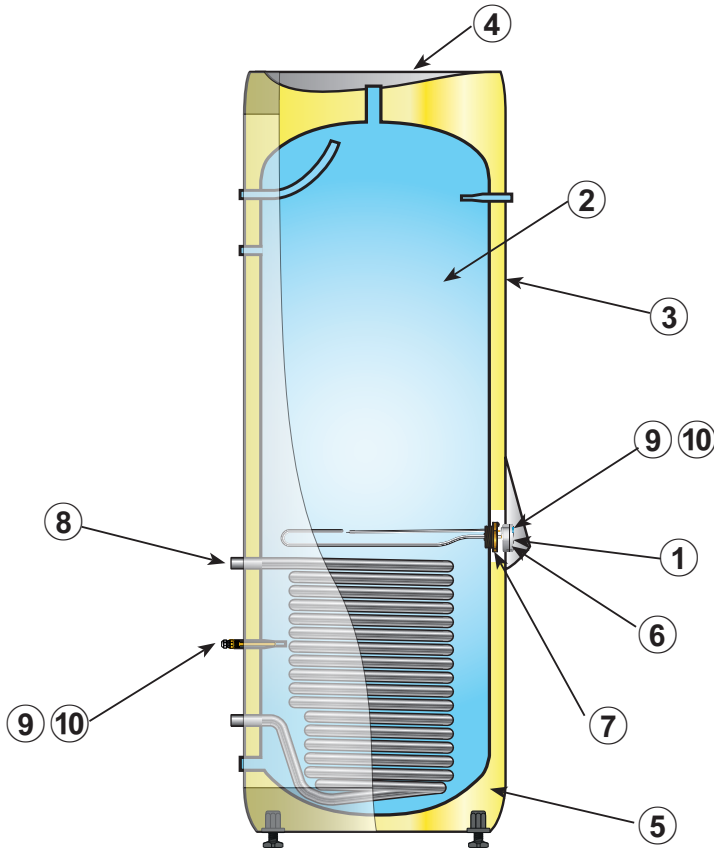


Code	Model	Capacity persons	Weight kg.	Freight vol m ³	Heat-up time hrs Δt 65°C	Volume L	Heat loss W	Rating ErP
70544002	DHWT-200S-3.0H2E - 3kW/1x230V+coil 1,4m ²	3,0	53	0,46	VP \leq 10kW	194	47.3	B
70544003	DHWT-300S-3.0H2E - 3kW/1x230V+coil 1,8m ²	5,0	63	0,62	VP \leq 12kW	284	62.8	B

Dimensions	DHWT-200S-3.0H2E	DHWT-300S-3.0H2E
A	1265	1745
B	977	1457
C	842	1322
D	677	867
E	482	594
F	267	267
G	156	156
DiaxHeight mm.	ø595x1270	ø595x1750

6 NAME OF PARTS

6.1 DHWT(200/300)S-3.0H2E



Ref.	Qty.	Name
①	1	Inspection aperture
②	1	HSW storage tank
③	1	External covering
④	1	Top cover
⑤	1	Thermal insulation
⑥	1	Control panel
⑦	1	Electrical Heater
⑧	1	Heating coil
⑨	1	Sensor probes
⑩	1	DHWT Sensor

7 UNIT INSTALLATION

Transport the products as close as possible to the installation location before unpacking.

Check the contents of the package:

- DHWT Model
- Installation and Operation Manual & Documents

7.1 SELECTION PROCEDURE FOR DHWT UNITS

⚠ CAUTION

- DHWT appliance is intended to be installed in an indoor place.
- DHWT installation must be done by professional installers.
- Install the DHWT with sufficient clearance around it for operation and maintenance as shown in the following figures.
- Install the DHWT where good ventilation is available. Do not install the DHWT where there is a high level of oil mist, salty air or sulphurous atmosphere.
- Working with no sufficient ventilation, in an enclosed space, should cause oxygen deficiency. Toxic gas should be produced when cleaning agent is heated to high temperature by, e.g., being exposed to fire.
- Do not install DHWT near any flammable substance.
- When installing some device next to DHWT, keep clearance between DHWT and any other obstacle of more than 500mm.

7.2 WORKING SPACE

- Check that DHWT are installed vertically.
- For cleaning, use no flammable and no toxic cleaning liquid. The use of flammable agents should cause explosion or fire.
- Cleaning liquid shall be collected after cleaning.
- Pay attention do not trap cables when closing the electrical box cover. It could cause a electric shock.

7.3 WATER SUPPLY CONTROL WARRANTY

Well water or river water could, in most cases, contain suspended solid matter, organic matter, and scales in big quantities. Therefore, the water should be subjected to a filtration process or to a softener treatment by using chemical products before it's application as a DHWT water.

It is also necessary to analyse the quality of the water by checking pH, electrical conductivity and others. The following is the recommended standard water quality:

Item	DHWT Supply Water
Chlorine Ion (mg C1 ⁻ /l)	Less than 150
Electrical Conductivity (µs/cm)	100~2000
Total Hardness (mg CaCO ₃ /l)	60~150
Solphate content (mg/l)	max 250

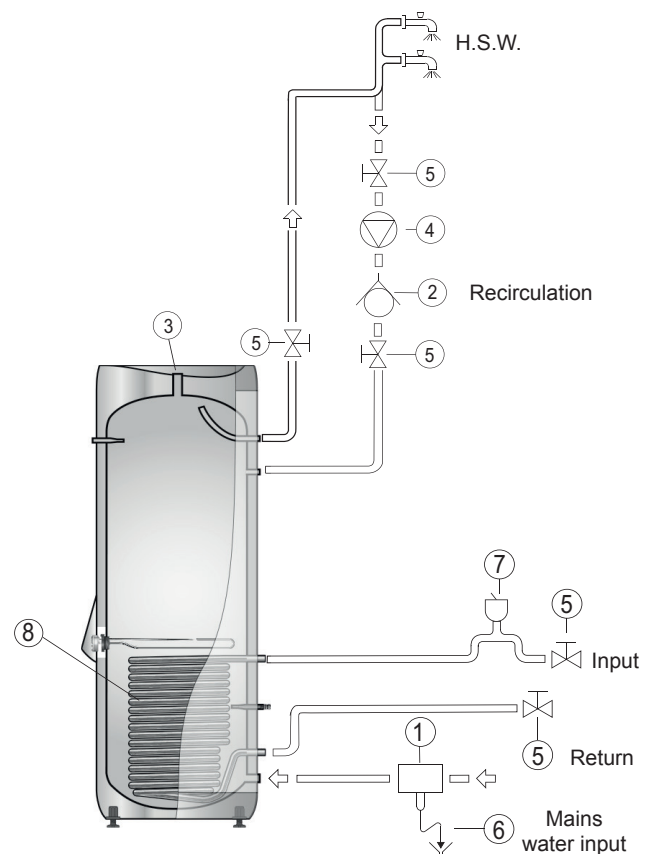
i NOTE

Water range will be according s/UNE 112076:2004 IN.

8 HYDRAULIC CIRCUIT

When Piping connections are performed:

- 1 Connect all pipes as close as possible to the unit, so that disconnection can be easily performed when required.
- 2 It is recommended to use flexible joints for the piping of water inlet and outlet, so vibration will not be transmitted.
- 3 Whenever possible, sluice valves should be installed for water piping, in order to minimise flow resistance and to maintain sufficient water flow.
- 4 It is recommended to apply ball valves in both water pipe connections to make easier any maintenance work.
- 5 Proper inspection should be performed to check for leaking parts inside and outside the system, by completely opening the hot water inlet and outlet valves to the water condenser.
- 6 This DHWT must be fully air purged to avoid heating elements radiating the tank case without water.
- 7 Apply thermal insulation on the hydraulic system pipes in order to avoid accidental injure due to excessive heat on piping surfaces and also to avoid heat losses.
- 8 When the unit is stopped during shutdown periods and the ambient temperature is very low, it is possible that the water in the pipes and in the circulating pump freeze, thus damaging the pipes and the water pump. In order to prevent this, during shutdown periods it is useful to empty the water from the installation.



i NOTE

Check periodically:

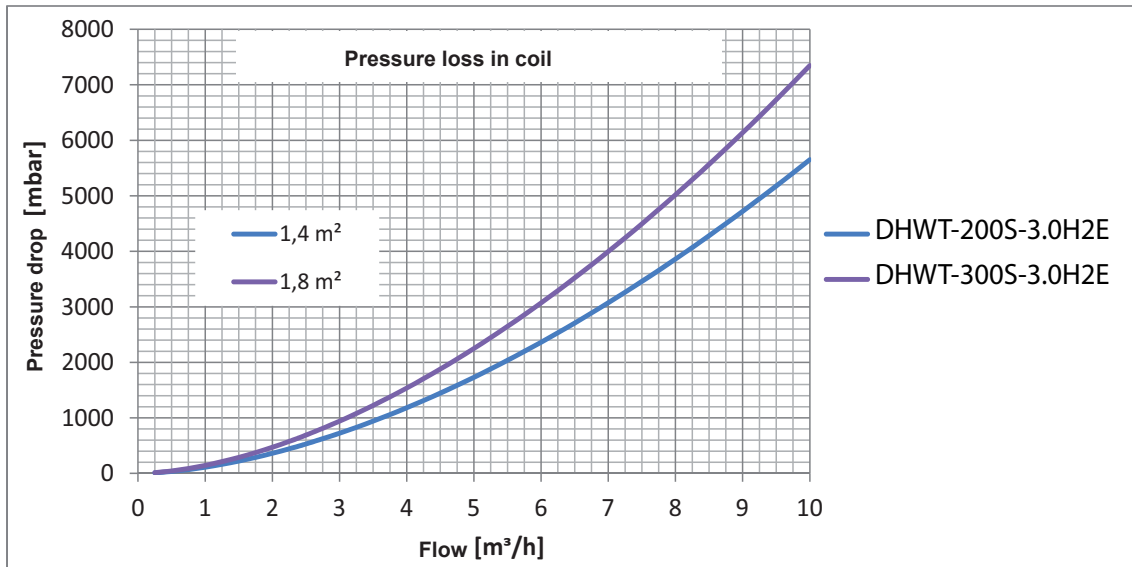
- Water flow and pressure
- Water leakage's
- Fixing points tightening

! CAUTION

- Inlet and outlet connection pipes must be 1G"
- It must be kept the water flow direction indicated in previous drawing.

1	Sanitary safety valve unit
2	Non-return valve
3	Water outlet 2
4	Recirculation pump
5	Shutoff cock
6	Drain
7	Purge (Air)
8	Heating coil

8.1 PRESSURE DROPS



9 ELECTRICAL WIRING

9.1 GENERAL CHECK

- 1 Ensure that the field-supplied electrical components (mains power switches, circuit breakers, wires, connectors and wire terminals) have been properly selected according to the electrical data indicated. Make sure that they comply with national and regional electrical codes.
- 2 Electrical connection must be done by professional installer.
- 3 Check to ensure that the power supply voltage is within +/- 10% of the rated voltage.
- 4 Make ensure that power supply has an impedance low enough to warranty not reduce the starting voltage more than 85% of the rated voltage.
- 5 Check that the earth wire is securely connected, tagged and locked in accordance with national and local codes.
- 6 Connect a fuse of specified capacity.
- 7 Check periodically the electrical connection tightening.

CAUTION

- Check to ensure that screws for terminal block are tightly tightened.
- Protect the wires, drain pipe, electrical parts, from rats or other small animals. If not protected, rats may damage unprotected parts, and at the worst, a fire will occur.
- Wrap the accessory packing around the wires to protect the product from any condensed water and insects.
- Tightly secure the wires with the cord clamp inside the unit.
- Lead the wires avoiding any contact with water piping.
- Wrap the accessory packing around the wires from system controller.

DANGER

- Do not connect or adjust any wiring or connections unless the main power switch is OFF.
- When there are more than one power switch for ON/OFF, check and test to ensure that all are turned OFF.

9.2 WIRE SIZE

Recommended minimum sizes for field provided

Model	Power Source	Max Current	EH Power source cable size	
			EN60 335-1	Sensor cable size
DHWT	1~ 230V 50Hz	15A	2.5mm ²	0.75mm ²

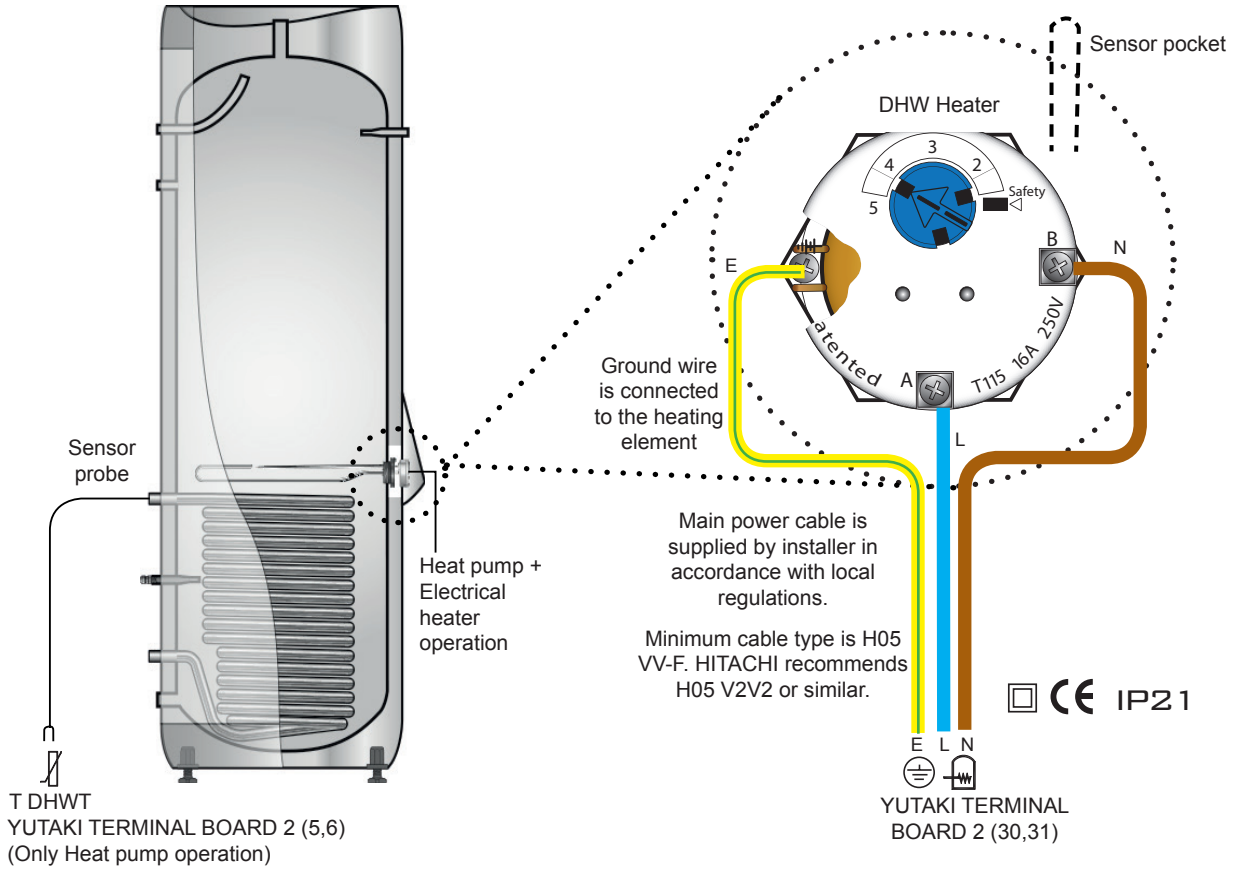
NOTE

- Follow local codes and regulations when selecting field wires, Circuit Breakers and Earth Leakage Breakers.
- Use the wires which are not lighter than de ordinary polychloroprene sheathed flexible cord (code designation H05RN-F).

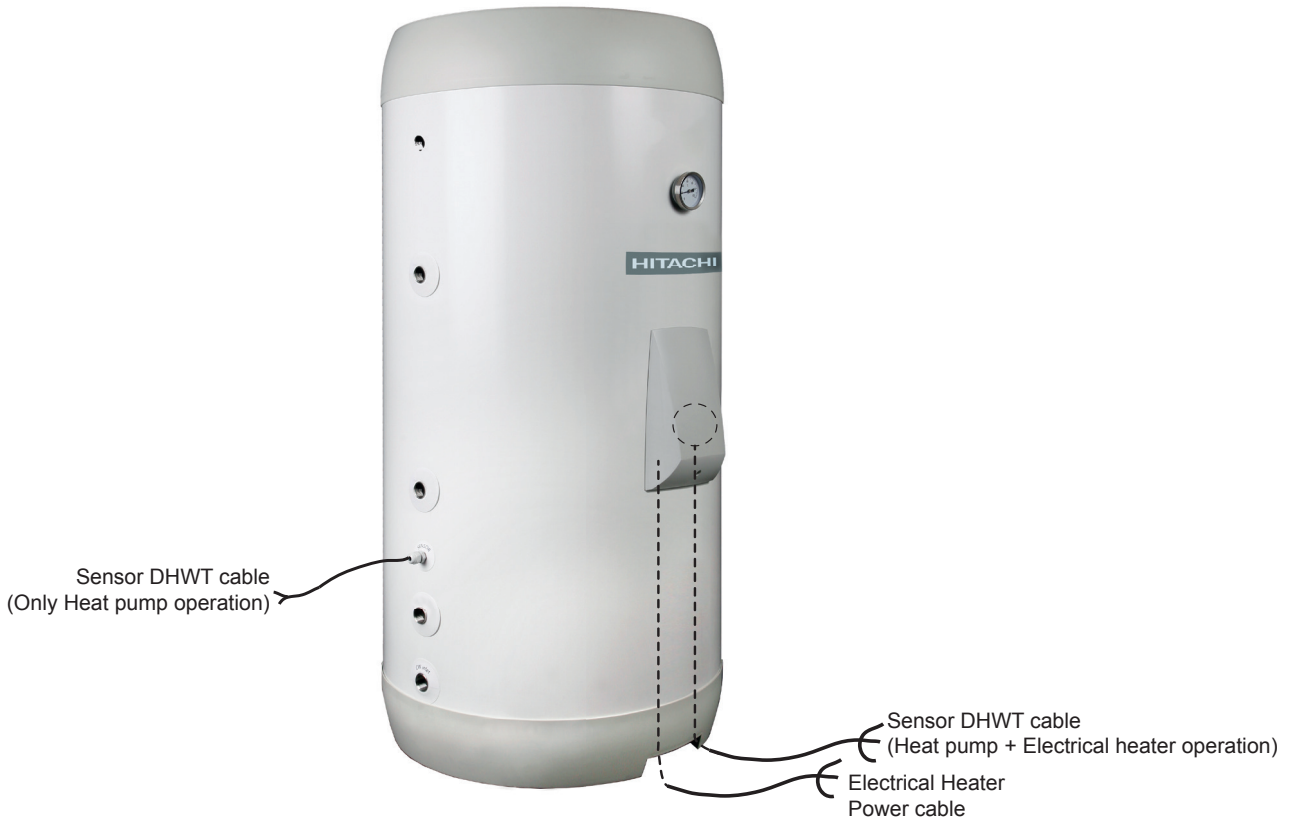
9.3 ELECTRICAL WIRING CONNECTION

The electrical wiring connection between DHWT and YUTAKI system is as follows:

Customer connection:



9.4 INTERNAL WIRING



9.5 ELECTRIC HEATER

The electric heater is made of Incoloy alloy 825 and complies with the European Low Voltage Directive 2006/95/EC.

It comprises a flange that holds three U-Shaped heating elements for 3.0kw power resistances.

9.6 ELECTRICAL INSTALLATION

9.6.1 Replacing the thermostat/element

Turn off power supply and remove electric central cover. Turn off water supply and drain unit. Unscrew wires on thermostat and element.

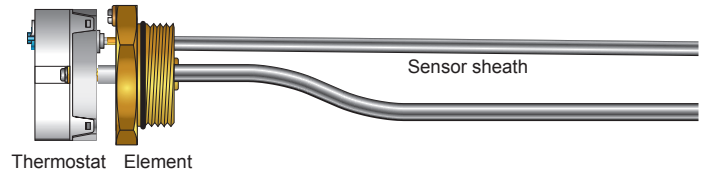
If only the thermostat is being replaced the wire on the element can be left on. The thermostat is removed by pulling it straight out from its sockets on the element.

The element can then be removed/replaced by using an element tool. Ensure the o-ring seal on the element is in place and undamaged before fitting the element.

Fill unit completely with water and make sure the element is not leaking. Fit wire to element. Install thermostat by pressing firmly. Fit the electric wires to thermostat.

Tighten all wire connections thoroughly. Re-tighten after 3 months.

The electric central cover must be re-fitted and the unit must be filled with water before power is turned on.



9.7 SAFETY MEASURES

- Before any intervention, totally disconnect the DHWT from the main power supply. All the connections circuits must be disconnected.
- Installation, configuration, start up and maintenance of heating elements must be carried out by an authorised electrical fitter. All standards and regulations must be observed.
- The user is responsible of ensuring that the essential requirements of the European Low Voltage Directive are respected.
- Electric heating elements generates high temperatures. Precautions should be taken to protect goods and persons from accidental burns during the operation and after the equipment has been disconnected or installed.
- Note minimum cable section:
- Resistances of 3.0kw recommended cable: H05SJ-K accordance with UNE 21027, and will have at least 2.5mm² section.
- The tanks must be with a DHWT temperature control thermostat and an all-pole limiter thermostat (the setting of these two components must be compatible with the design parameters of storage tanks).
- We recommend installing appropriate safety devices (temperature safety device, safety level for heating liquids by natural convection, flow safety device for liquids in circulation, etc.)

10 SAFETY SUMMARY & CONTROL DEVICE SETTING

◆ Protection

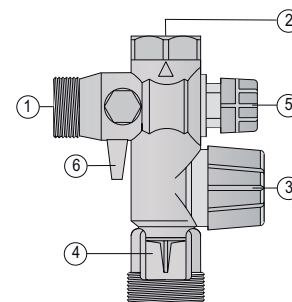
This switch cut out the operation on the DHWT when the water temperature inside DHWT exceed 90°C.

Model	Units	DHWT
Thermostat		Manual Reset
Cut-Out	°C	90
Contactors		
Current	A	20 (AC1)
Voltage	V	230V
Heating resistances		
Electric Power	kW	3.0
Voltage	V	230V
Ø	mm	6.4
Resistances whole fixing flare nut	"G	1-1/4"
Specific heat load	W/cm ²	14.2
Material		INCOLOY 825
Resistance cord		Ni-Cr 80/20 Ø 0.45mm
DHWT sensor		NTC 20k

11 GENERAL STANDARD FOR HYDRAULIC INSTALLATION

- The safety valve unit will fitted at the sanitary water installation.
- A pressure reducer must be placed in the DHWT installation. The nominal pressure of the safety unit will be 8 bar.
- When the main pressure is more than 6 bar a pressure reducer should be installed.
- The water discharge during heating (expansion) is normal. The volume of this discharge can be up to 3% of the storage tank's capacity.
- The pressure regulator device must be working regularly, depending on the quality of water, in order to remove the lime's deposits and verify that it is not blockade.
- A water leakage in the pressure protection device can exist. The discharge pipe should be always open to the atmosphere, free of frost and in continuous slope to the down side.
- Dielectric bushes must be fitted at the input and output sanitary water and at the tank circuit connections.
- Emptying the DHWT: Close the main inlet water valve and open the relief valve of the security water group.

Ref.	Name
①	Main inlet water
②	DHWT inlet connection
③	Security valve and manual empty
④	Emptying connection
⑤	Check valve
⑥	Close valve



1 INFORMACIÓN GENERAL

Ningún fragmento de esta publicación puede ser reproducido, copiado, archivado o transmitido en ninguna forma o medio sin permiso de HITACHI Air Conditioning Products Europe, S.A.U.

En el marco de una política de mejora continua de la calidad de sus productos, HITACHI Air Conditioning Products Europe, S.A.U. se reserva el derecho de realizar cambios en cualquier momento, sin comunicación previa y sin incurrir en la obligación de introducirlos en los productos vendidos con anterioridad. Por lo tanto, este documento puede haber sufrido modificaciones durante la vida del producto.

HITACHI realiza todos los esfuerzos posibles para ofrecer documentación correcta y actualizada. Pese a ello, los errores de impresión están fuera del control de HITACHI, que no se hace responsable de ellos.

En consecuencia, algunas de las imágenes o algunos de los datos empleados para ilustrar este documento pueden no corresponder a modelos concretos. No se admitirán reclamaciones basadas en los datos, ilustraciones y descripciones de este manual.

2 SEGURIDAD

2.1 SÍMBOLOS EMPLEADOS

Durante el diseño del sistema de bomba de calor o la instalación de la unidad, preste mayor atención a algunas situaciones que requieren un cuidado especial para evitar daños en el equipo, en la instalación o en el edificio o inmueble.

En este manual se indicarán claramente las situaciones que pongan en peligro la seguridad de aquellos situados en los alrededores de la unidad, o a la propia unidad.

Para ello se emplearán una serie de símbolos especiales que identificarán claramente estas situaciones.

Preste mucha atención a estos símbolos y a los mensajes que les siguen, pues de ello depende su propia seguridad y la de los demás.

PELIGRO

- *Los textos precedidos de este símbolo contienen información e indicaciones relacionadas directamente con su seguridad e integridad física.*
- *Si no se tienen en cuenta dichas indicaciones, tanto usted como otras personas situadas en las cercanías del equipo pueden sufrir daños graves, muy graves o incluso mortales.*

En los textos precedidos del símbolo de peligro también puede encontrar información sobre los procedimientos de seguridad durante la instalación de la unidad.

PRECAUCIÓN

- *Los textos precedidos de este símbolo contienen información e indicaciones relacionadas directamente con su seguridad e integridad física.*
- *Si no se tienen en cuenta dichas indicaciones tanto usted como otras personas que se encuentren cerca del equipo pueden sufrir lesiones leves.*
- *No tener en cuenta estas instrucciones puede provocar daños en el equipo.*

En los textos precedidos del símbolo de precaución también puede encontrar información sobre los procedimientos de seguridad durante la instalación de la unidad.

NOTA

- *Los textos precedidos de este símbolo contienen informaciones o indicaciones que pueden resultar útiles, o que merecen una explicación más extensa.*
- *También puede incluir indicaciones acerca de comprobaciones que deben efectuarse sobre elementos o sistemas del equipo.*

2.2 INFORMACIÓN ADICIONAL SOBRE SEGURIDAD

PELIGRO

- **NO CONECTE LA ALIMENTACIÓN ELÉCTRICA A LA UNIDAD INTERIOR Y EL DEPÓSITO DE AGUA CALIENTE SANITARIA ANTES DE LLENAR DE AGUA AMBOS CIRCUITOS Y DE COMPROBAR LA PRESIÓN DE AGUA Y LA AUSENCIA TOTAL DE FUGAS DE AGUA.**
- **No vierta agua sobre los componentes eléctricos. Si los componentes eléctricos están en contacto con el agua, podría producirse una grave descarga eléctrica.**
- **No toque ni ajuste los dispositivos de seguridad del interior de la bomba de calor aire-agua. Si se tocan o ajustan estos dispositivos, se podría producir un grave accidente.**
- **En caso de incendio, apague el interruptor principal, extinga el fuego de inmediato y póngase en contacto con su proveedor de servicios.**
- **Asegúrese de que el depósito de agua caliente sanitaria no puede funcionar accidentalmente sin agua o con aire dentro del sistema hidráulico.**

PRECAUCIÓN

- *No emplee ningún aerosol, como insecticidas, barnices o lacas, ni ningún otro gas inflamable a menos de aproximadamente un metro del sistema.*
- *Si el disyuntor de la instalación o el fusible de la unidad se activan con frecuencia, detenga el sistema y póngase en contacto con su proveedor de servicios.*
- *No realice ninguna tarea de mantenimiento ni inspección. Este trabajo debe realizarlo personal de mantenimiento cualificado.*
- *Este dispositivo debe utilizarlo únicamente un adulto o una persona responsable que haya recibido formación o instrucciones técnicas sobre cómo manipularlo de forma correcta y segura.*
- *Debe vigilar a los niños para que no jueguen con el dispositivo.*
- *No deje ningún cuerpo extraño dentro de la tubería de entrada ni en la de salida de agua del depósito de ACS.*

2.3 AVISO IMPORTANTE

- En el CD-ROM que se incluye con la unidad interior encontrará información adicional acerca del producto adquirido. Si no tiene el CD-ROM o si es ilegible contacte con su proveedor o distribuidor HITACHI.
- **LEA ATENTAMENTE EL MANUAL Y EL CONTENIDO DEL CD-ROM ANTES DE INICIAR LAS TAREAS DE INSTALACIÓN DEL SISTEMA DE BOMBA DE CALOR AIRE-AGUA.** El incumplimiento de las instrucciones de instalación, uso y funcionamiento descritas en este documento puede provocar fallos de funcionamiento potencialmente graves, o incluso la destrucción del sistema de bomba de calor aire-agua.
- **Este documento contiene toda la información relativa al depósito de agua caliente sanitaria HITACHI. El depósito de ACS HITACHI se puede conectar con la unidad interior YUTAKI S80 TIPO 1 o la YUTAKI M. Para obtener información completa sobre el sistema, consulte el manual de instrucciones (información sobre calefacción) o el CD-ROM incluido con la unidad.**
- Compruebe, en los manuales de las unidades interior y exterior y en el del depósito de ACS, que dispone de toda la información necesaria para la correcta instalación del sistema. Si no es así, póngase en contacto con su distribuidor.
- HITACHI sigue una política de continua mejora del diseño y rendimiento de los productos. Se reserva, por lo tanto, el derecho a modificar las especificaciones sin previo aviso.
- HITACHI no puede prever todas las circunstancias que pudieran conllevar un peligro potencial.
- No se permite la reproducción de ningún fragmento de este manual sin permiso por escrito.
- Si tiene cualquier tipo de duda, póngase en contacto con su proveedor de servicios de HITACHI.
- Compruebe y asegúrese de que las explicaciones de los apartados de este manual se corresponden con el modelo de depósito ACS del que dispone.
- Consulte la codificación de los modelos para confirmar las principales características de su sistema.
- Se utilizan palabras precedidas de señales (NOTA, PELIGRO y PRECAUCIÓN) para identificar los niveles de gravedad de los riesgos. Las definiciones empleadas para identificar los niveles de peligro se indican en las páginas iniciales de este documento.
- Los modos de funcionamiento de estas unidades se controlan a través de un controlador.
- Este manual debe considerarse como un elemento fijo del sistema. Proporciona una descripción e información comunes para este sistema, así como para otros modelos.
- Mantenga la temperatura del agua del sistema por encima de la temperatura de congelación.

	Mín.	Máx.
Temperatura de funcionamiento del depósito	Sin congelación	75°C

- Este manual debe considerarse como parte del depósito de ACS. Proporciona una descripción general e información del mismo.
- El circuito secundario (circuito de agua sanitaria) debe disponer de una válvula limitadora de presión y temperatura (presión ajustada, 7 bares; temperatura ajustada, 90°C)
- La tubería de evacuación de la válvula de seguridad debe conducir a un desagüe pero no debe estar conectada directamente al mismo.
- El circuito primario (circuito de agua para calefacción) debe disponer de una válvula de seguridad ajustada a 3 bares como máximo. Una vez instalado el depósito, llene el circuito secundario (agua sanitaria) y presurícelo.
- Una vez realizado el paso 4, llene el circuito primario.
- Si la tubería principal no es de acero inoxidable se deben instalar manguitos dieléctricos en las conexiones del circuito secundario.
- Si la presión de entrada del agua fría es mayor que la presión de diseño del equipo, debe instalar un reductor de presión con un valor inferior que la presión de diseño.
- Para evitar la pérdida de calor a través de la tubería de agua caliente en sistemas de almacenamiento de calor para tarifas nocturnas, debe montarse un sifón antitérmico en la salida del depósito de almacenamiento. La tubería de agua caliente debe recubrirse (al menos en el tramo que va hasta el sifón antitérmico).
- Se deben evitar circuitos de retorno cuando sean de cobre.
- Esta instalación está sujeta al cumplimiento del reglamento de la construcción, notifíquela a las autoridades locales.
- Deje el manual al usuario después de la instalación.
- Las conexiones de la válvula limitadora de cilindro no se deben utilizar para ningún otro fin.
- Desvíe el agua del circuito secundario. Instrucciones:
 - Aísle el depósito de la presión neta, por ejemplo con una válvula de cierre en la entrada de agua fría.
 - Abra la válvula limitadora del depósito.
 - El depósito de agua caliente sanitaria se vacía gracias a un efecto de sifón, a través del tubo de descarga de la válvula limitadora instalada en la tubería de entrada de agua fría, en la parte inferior del depósito.

3 INSTALACIÓN

3.1 GUÍA DEL PRODUCTO

Tipo de unidad: Depósito de agua caliente sanitaria								
Capacidad (L) 200-300 Litros								
S= Inoxidable								
Guión separador de posición (fijo)								
3,0 kW								
Calefactor eléctrico								
Serie								
E = fabricado en Europa								
DHWT	XXX	S	-	3,0	H	2	E	

3.2 NOTAS GENERALES

3.2.1 Componentes



El DHWT-(200/300)S-3.0H2E es un calentador de agua indirecto de acero inoxidable. Este producto está diseñado para calentar el agua sanitaria desde una fuente de calor externa como una bomba de calor.

Desembale el producto con cuidado para evitar daños. Instálelo en posición vertical sobre una superficie plana y uniforme que soporte el peso del depósito lleno de agua. Ajuste las patas regulables según precise. Los trabajos eléctricos y de canalización deben ser realizados por un instalador autorizado.

Antes de llenar la unidad de agua instale el cable de alimentación, consulte el apartado [“9.5 Calefactor eléctrico”](#).

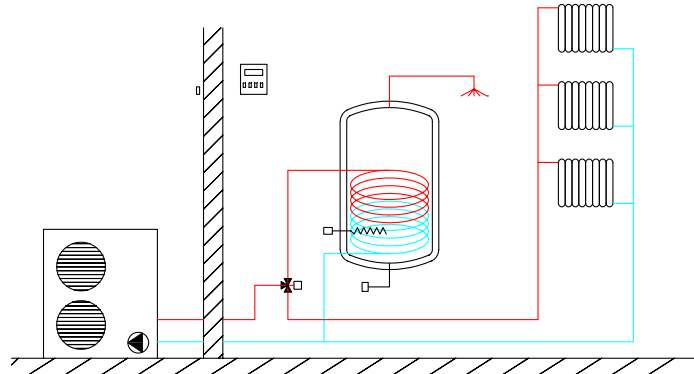
Sobre pavimentos cerámicos instale el depósito en posición vertical y nivélelo con ayuda de las patas regulables. La unidad debe estar bien sujeta a la pared.

Este dispositivo está pensado para estar permanentemente conectado a la entrada de agua principal.

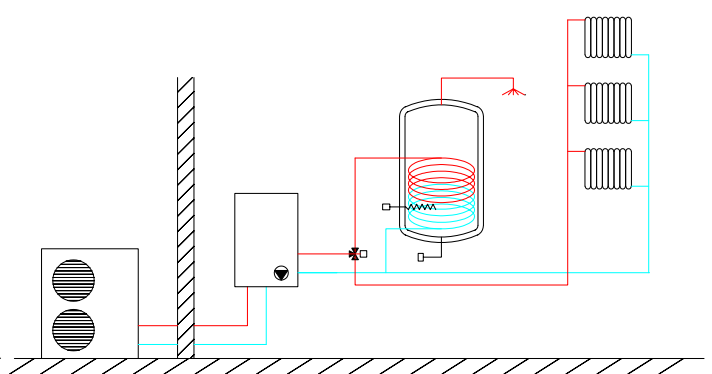
Solo se puede utilizar la válvula de seguridad aprobada por NBI 06870/387.

3.3 EJEMPLOS DE INSTALACIÓN

◆ Instalaciones de calefacción YUTAKI M



◆ Instalaciones de calefacción YUTAKI S y S80



i NOTA

Para más información consulte el manual de instalación del sistema Yutaki.

4 RESOLUCIÓN DE PROBLEMAS BÁSICOS

! PRECAUCIÓN

- Cuando se produzca una fuga de agua, detenga el funcionamiento y póngase en contacto con el proveedor.
- Si huele a humo o sale humo blanco del depósito de ACS, detenga el sistema y póngase en contacto con su proveedor.

◆ EL SISTEMA NO FUNCIONA

- Compruebe si la temperatura seleccionada para el sistema YUTAKI es la correcta.
- Compruebe la conexión eléctrica de la unidad al depósito de ACS (funcionamiento del fusible o del disyuntor)
- Compruebe la temperatura del agua y la posible desconexión del termostato (si es superior a 90°C se desconecta el termostato)
- Compruebe la presión y el caudal de agua (por lo menos 0,1 MPa.)
- Compruebe que el termostato manual del depósito de ACS está ajustado al máximo punto de ajuste del agua por el sistema de control YUTAKI (compruebe el punto de ajuste del agua mediante el anti-legionella).

◆ NO CALIENTA BIEN

- Compruebe si hay obstrucciones del caudal de agua dentro del Circuito de Agua.
- Compruebe que las condiciones de presión del agua se encuentran dentro del margen de funcionamiento.
- Compruebe la conexión eléctrica desde el sistema controlador y el depósito de ACS.
- Si el calefactor no funciona revíselo.

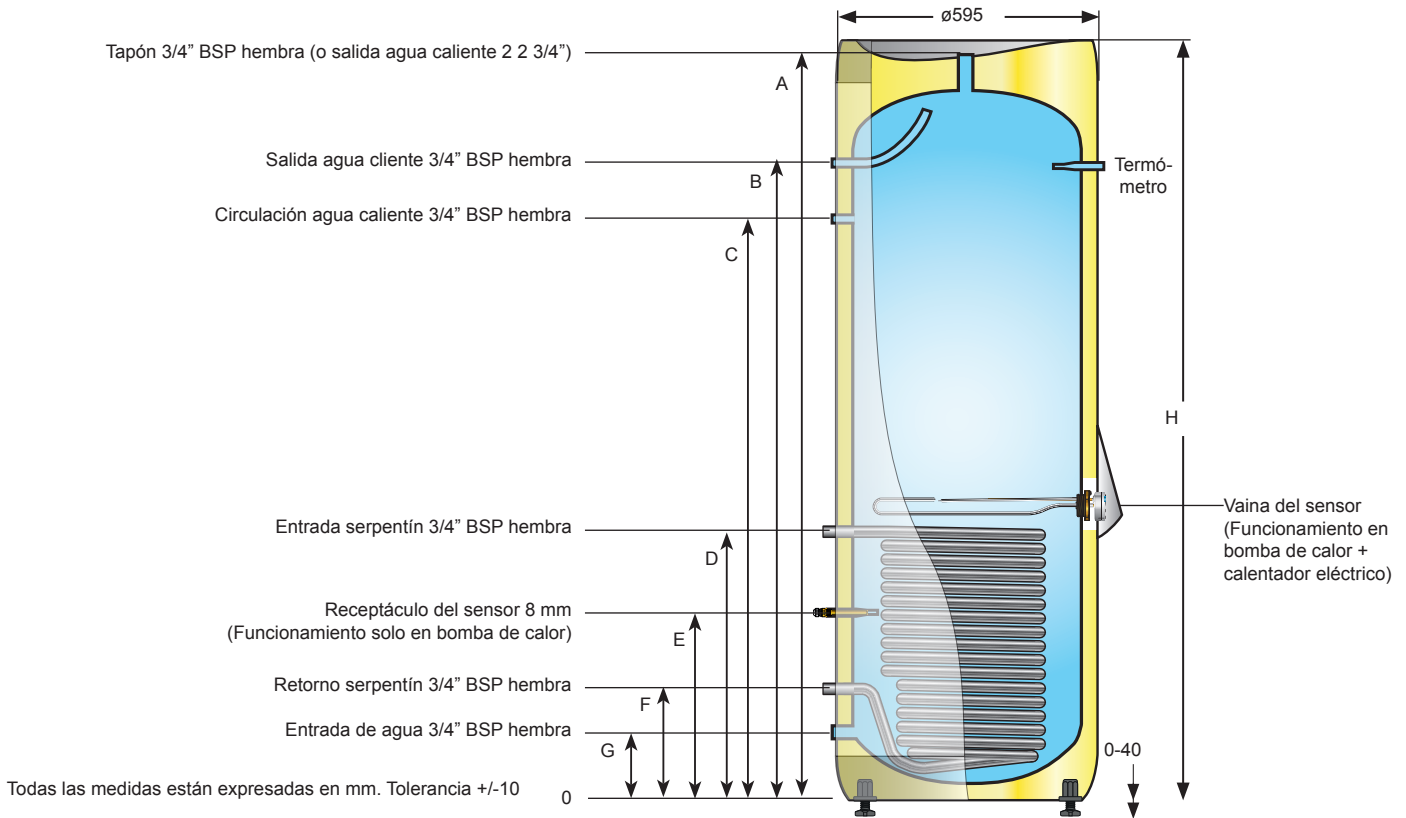
◆ SI EL PROBLEMA PERSISTE...

Si el problema persiste, póngase en contacto con su proveedor de servicios y proporcionele los siguientes datos:

- Modelo de la unidad
- Descripción del problema

5 GRÁFICOS DE DIMENSIONES

5.1 DHWT(200/300)S-3.0H2E

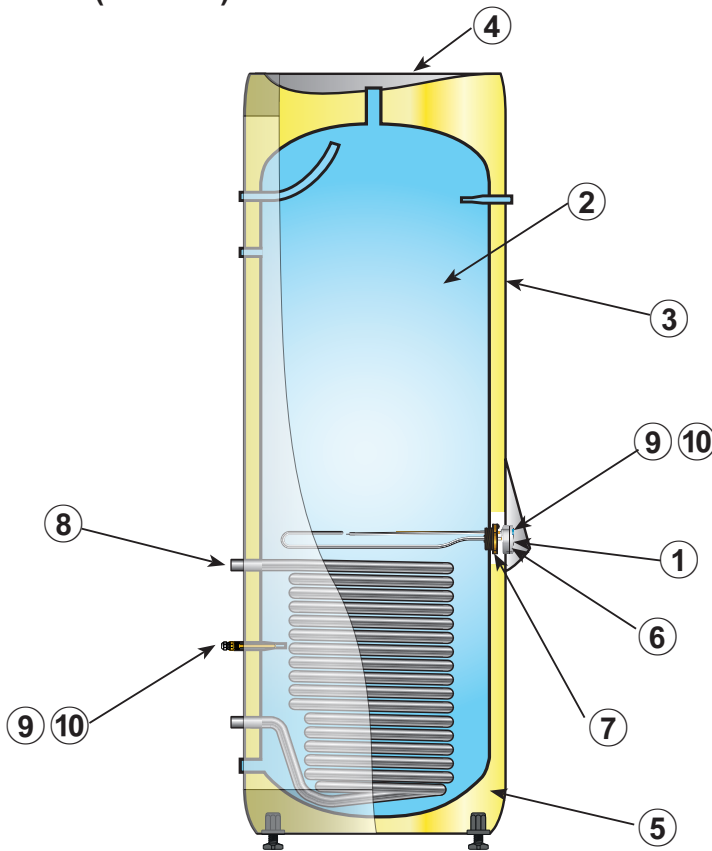


Código	Modelo	Capacidad en personas	Peso (kg)	Volumen de carga (m ³)	Tiempo de calentamiento (hrs) Δt 65°C	Volumen (L)	Pérdida de calor (W)	Clasificación ErP
70544002	DHWT-200S-3.0H2E - 3kW/1x230V+serpentín 1,4m ²	3,0	53	0,46	VP ≤ 10kW	194	47,3	B
70544003	DHWT-300S-3.0H2E - 3kW/1x230V+serpentín 1,8m ²	5,0	63	0,62	VP ≤ 12kW	284	62,8	B

Dimensiones	DHWT-200S-3.0H2E	DHWT-300S-3.0H2E
A	1265	1745
B	977	1457
C	842	1322
D	677	867
E	482	594
F	267	267
G	156	156
Diámetro x Altura (mm)	ø595x1270	ø595x1750

6 COMPONENTES

6.1 DHWT(200/300)S-3.0H2E



Ref.	Cant.	Nombre
①	1	Mirilla de inspección
②	1	Depósito de almacenamiento ACS
③	1	Revestimiento externo
④	1	Tapa superior
⑤	1	Aislante térmico
⑥	1	Panel de control
⑦	1	Calefactor eléctrico
⑧	1	Serpentín de calefacción
⑨	1	Sensor detector
⑩	1	Sensor del depósito de ACS

7 INSTALACIÓN DE LA UNIDAD

Traslade los productos lo más cerca posible de la instalación antes de desembalarlos.

Compruebe los contenidos del paquete:

- Modelo de depósito de agua caliente sanitaria
- Manual de instalación y funcionamiento y Documentación

7.1 PROCEDIMIENTO DE SELECCIÓN DEL DEPÓSITO DE AGUA CALIENTE SANITARIA

⚠ PRECAUCIÓN

- El depósito de ACS está pensado para instalarse en el interior.
- La instalación del depósito de ACS debe realizarla un instalador profesional.
- Instale el depósito de agua caliente sanitaria dejando espacio suficiente a su alrededor para su manipulación y mantenimiento, como se indica en las siguientes figuras.
- Instale el depósito de agua caliente sanitaria en lugares con buena ventilación. No instale el depósito de agua caliente sanitaria donde exista un elevado nivel de neblina de aceite o aire salino, ni en entornos sulfúricos.
- El funcionamiento con una ventilación insuficiente, en un espacio cerrado, podría ocasionar una deficiencia de oxígeno. Cuando se calienta un agente de limpieza a altas temperaturas se pueden originar gases tóxicos.
- No instale el depósito de agua caliente sanitaria cerca de cualquier sustancia inflamable.
- Cuando instale algún dispositivo cerca del depósito de agua caliente sanitaria, deje un espacio de más de 500mm entre el depósito y cualquier otro obstáculo.

7.2 ESPACIO DE TRABAJO

- Asegúrese que el depósito de ACS se ha instalado en posición vertical.
- Para limpiar, use un líquido limpiador no inflamable y no tóxico. El uso de agentes inflamables podría causar una explosión o fuego.
- Recoja el líquido de limpieza sobrante cuando haya terminado de limpiar.
- Preste atención de no dejar atrapados los cables cuando cierre la tapa de la caja eléctrica. Podría causar una descarga eléctrica.

7.3 GARANTÍA DE CONTROL DE SUMINISTRO DE AGUA

El agua de pozos o ríos puede contener, en la mayoría de casos, grandes cantidades de materia sólida, orgánica e incrustaciones. Por lo tanto, se debe someter a un proceso de filtrado o de ablandamiento con productos químicos antes de poder utilizarse como ACS.

Además, es necesario comprobar el pH para analizar, entre otros datos, la calidad y la conductividad eléctrica. Esta es la calidad de agua estándar recomendada:

Elemento	Agua suministrada por el depósito de ACS
Cloruro (mg C ¹⁻ /l)	Menos de 150
Conductividad eléctrica (μs/cm)	100~2000
Dureza total (mg CaCO ₃ /l)	60~150
Contenido de sulfatos (mg/l)	máx. 250

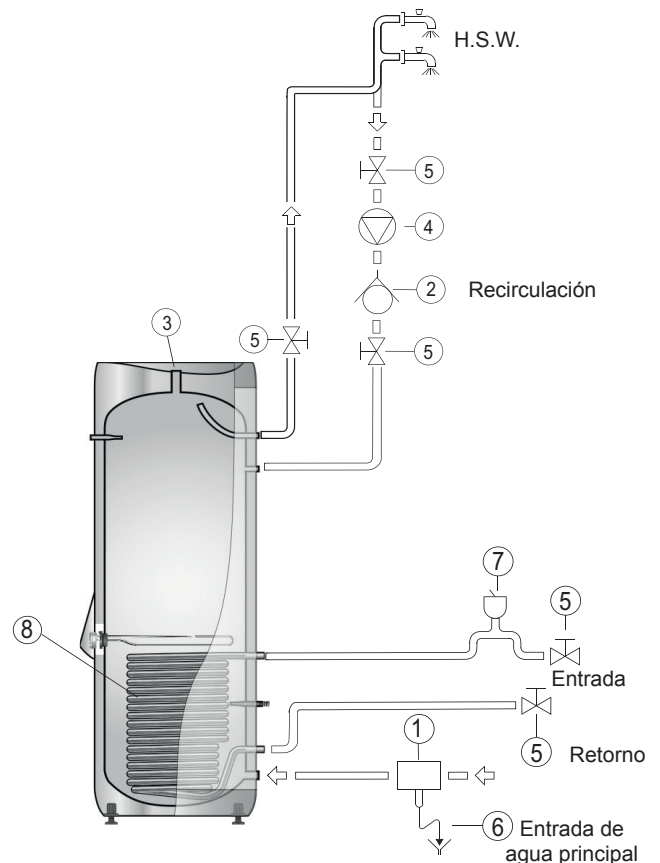
i NOTA

El rango del agua deberá cumplir con s/UNE 112076:2004 IN.

8 CIRCUITO HIDRÁULICO

Cuando se realizan las conexiones de las tuberías:

- 1 Conecte todas las tuberías tan cerca de la unidad como sea posible, de manera que sea fácil desconectarlas si hiciera falta.
- 2 Es recomendable utilizar juntas flexibles para la entrada y salida de las tuberías de agua, para evitar la transmisión de vibraciones.
- 3 En lo posible se deben instalar válvulas de compuerta en las tuberías del agua para minimizar la resistencia del flujo y mantener un caudal de agua suficiente.
- 4 Se recomienda colocar válvulas de flotador en las dos conexiones de la tubería de agua para facilitar cualquier tarea de mantenimiento.
- 5 Se debe realizar una inspección para detectar la existencia de fugas en las piezas, tanto en el interior como en el exterior del sistema, abriendo totalmente las válvulas de entrada y salida del agua caliente del condensador.
- 6 Este depósito de agua caliente sanitaria se debe purgar para evitar que sus elementos se calienten si no tiene agua.
- 7 Aplique un aislamiento térmico en las tuberías del sistema hidráulico para evitar daños accidentales debido al calor excesivo en las superficies de la tubería y para evitar pérdidas de calor.
- 8 Cuando la unidad se detiene durante los períodos de parada y la temperatura ambiente es muy baja, es posible que el agua en las tuberías y en la bomba de circulación se congele, dañando las tuberías y la bomba de agua. Con el fin de evitarlo, durante los períodos de parada es útil vaciar la instalación de agua.



1	Válvula de seguridad sanitaria
2	Válvula de retención
3	Salida de agua 2
4	Bomba de recirculación
5	Grifo de cierre
6	Desagüe
7	Purga de aire
8	Serpentín de calefacción

i NOTA

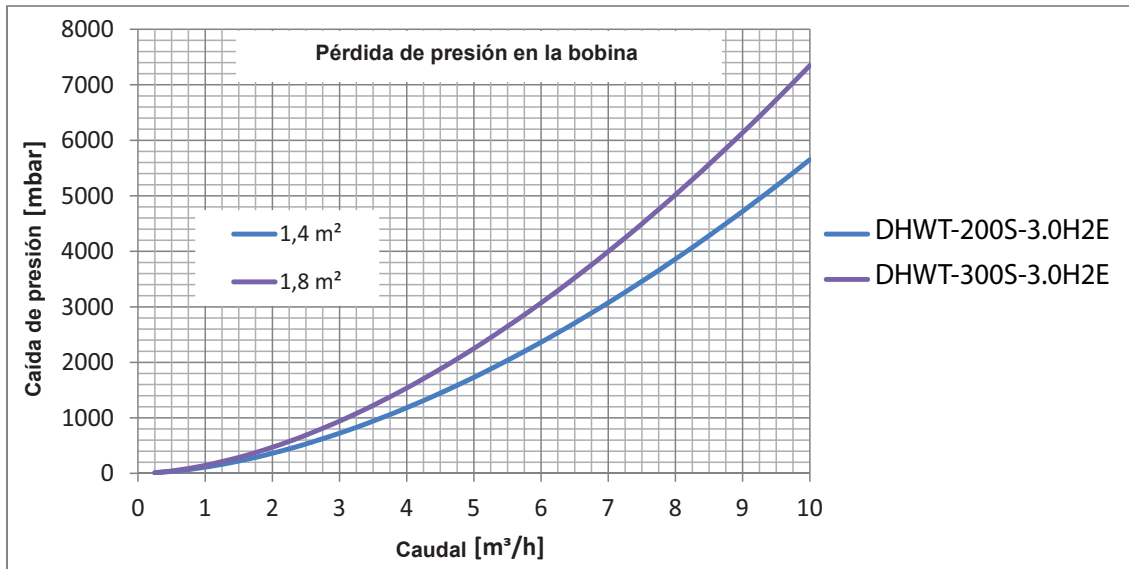
Comprobar periódicamente:

- Caudal y presión de agua
- Fugas de agua
- Que los puntos de sujeción estén apretados

! PRECAUCIÓN

- Las tuberías de conexión de entrada y salida deben ser 1G"
- Se debe mantener la dirección del caudal del agua indicada en la ilustración anterior.

8.1 CAÍDAS DE PRESIÓN



9 CABLEADO ELÉCTRICO

9.1 COMPROBACIONES GENERALES

- 1 Asegúrese de que los componentes eléctricos suministrados por el instalador (interruptores de alimentación principal, disyuntores, cables, conectores y terminales de cables) han sido correctamente seleccionados según los datos eléctricos indicados. Asegúrese de que cumplen la normativa eléctrica nacional y regional.
- 2 La conexión eléctrica debe ser realizada por un instalador profesional.
- 3 Compruebe que la tensión de alimentación está dentro de +/-10% de la tensión nominal.
- 4 Asegúrese de que la fuente de alimentación tiene una impedancia lo suficientemente baja como para garantizar que la tensión inicial no se reduzca más del 85% de la tensión nominal.
- 5 Compruebe que el cable de tierra esté correctamente conectado, etiquetado y bloqueado de acuerdo con la normativa nacional y local.
- 6 Conecte un fusible de la capacidad especificada.
- 7 Compruebe periódicamente el apriete de la conexión eléctrica.

⚠ PRECAUCIÓN

- Asegúrese de que los tornillos del bloque de terminales estén firmemente apretados.
- Proteja los cables, la tubería de desagüe y las piezas eléctricas de las ratas u otros animales pequeños. De lo contrario, podrían dañar las piezas no protegidas y, en el peor de los casos, puede producirse un incendio.
- Envuelva los cables con cinta para protegerlos del agua condensada y de los insectos.
- Sujete firmemente los cables con la abrazadera dentro de la unidad.
- Conduzca los cables evitando cualquier tipo de contacto con la tubería de agua.
- Proteja con cinta los cables del controlador del sistema.

⚠ PELIGRO

- No conecte ni ajuste ningún cable ni conexión sin antes apagar el interruptor de alimentación principal.
- Si hay más de un interruptor de encendido/apagado, compruébelo y asegúrese de que están en posición OFF.

9.2 TAMAÑOS DEL CABLE

Tamaños mínimos recomendados para los cables de la instalación

Modelo	Fuente de alimentación	Corriente máxima	Tamaño del cable de alimentación del calefactor eléctrico	Tamaño del cable sensor
			EN60 335-1	EN60 335-1
Depósito ACS	1~ 230V 50Hz	15A	2,5mm²	0,75mm²

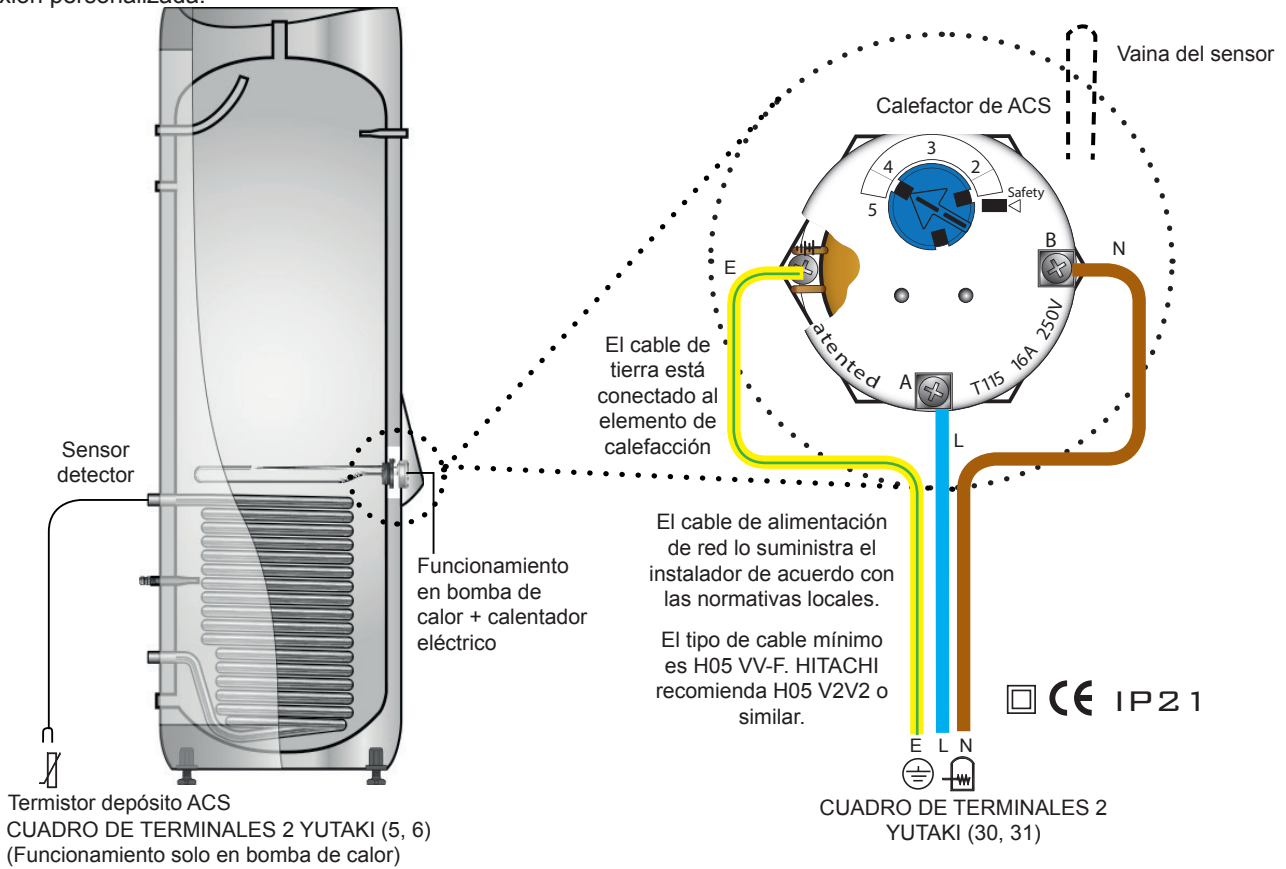
i NOTA

- Siga los códigos y reglamentos locales a la hora de seleccionar los cables, disyuntores y disyuntores de fuga a tierra de la instalación.
- Utilice cables que no sean más ligeros que el cable normal flexible de policloropreno forrado (código H05RN-F).

9.3 CONEXIÓN DEL CABLEADO ELÉCTRICO

La conexión eléctrica entre el depósito de agua caliente sanitaria y el sistema YUTAKI es la siguiente:

Conexión personalizada:



9.4 CABLEADO INTERNO



9.5 CALEFACTOR ELÉCTRICO

El calefactor eléctrico está fabricado con aleación Incoloy 825 y cumple con la Directiva Europea de Baja Tensión 2006/95/CE.

Cuenta con un reborde que tiene tres elementos de calefacción en forma de U para las resistencias de 3,0 kW.

9.6 INSTALACIÓN ELÉCTRICA

9.6.1 Sustitución del termostato/elemento

Apague la fuente de alimentación y retire la tapa eléctrica central. Apague el suministro de agua y la unidad de desagüe. Desenrosque los cables del termostato y del elemento.

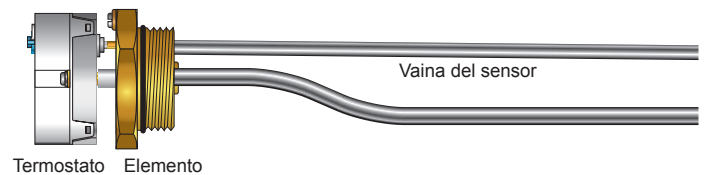
Si solo va a sustituir el termostato no hace falta que desconecte el cable del elemento. El termostato está conectado al elemento, para extraerlo tire de él.

El elemento se puede extraer/sustituir con una herramienta. Antes de volver a colocar el elemento asegúrese de que está colocada la junta tórica y que no está dañada.

Llene completamente la unidad de agua y asegúrese de que el elemento no tiene fugas. Conecte el cable del elemento. Instale el termostato presionándolo con firmeza. Conecte los cables eléctricos al termostato.

Ajuste todos los cables. Reapriételos a los tres meses.

Coloque la tapa eléctrica central y llene el depósito de agua antes de ponerlo en marcha.



9.7 MEDIDAS DE SEGURIDAD

- Antes de realizar cualquier trabajo, desconecte totalmente el depósito de agua caliente sanitaria de la fuente de alimentación principal. Todos los circuitos de conexión deben estar desconectados.
- Todos los trabajos de instalación, configuración, puesta en marcha y mantenimiento de los elementos de calefacción deben ser realizados por un instalador eléctrico autorizado. Se deben respetar todas las normas y reglamentos.
- El usuario es el responsable de que se respeten todos los requisitos esenciales de la Directiva Europea de Baja Tensión.
- Los elementos eléctricos de calefacción generan altas temperaturas. Se deben tomar precauciones para proteger a bienes y personas de posibles quemaduras accidentales durante los trabajos y después de que el equipo haya sido desconectado o instalado.
- Tenga en cuenta la sección mínima del cable:
- Cable recomendado de resistencias de 3,0 kW: H05SJ-K de conformidad con UNE 21027, y con una sección mínima de 2,5 mm².
- Los depósitos deben tener un termostato de control de temperatura para agua caliente sanitaria y un termostato limitador de polos (el valor de estos dos componentes debe ser compatible con los parámetros de diseño de los depósitos).
- Se recomienda la instalación de dispositivos de seguridad adecuados (dispositivo de seguridad de temperatura, nivel de seguridad para calentar líquidos por convección natural, dispositivo de seguridad del flujo de líquidos en circulación, etc.).

10 RESUMEN DE SEGURIDAD Y AJUSTE DEL DISPOSITIVO DE CONTROL

◆ Protección

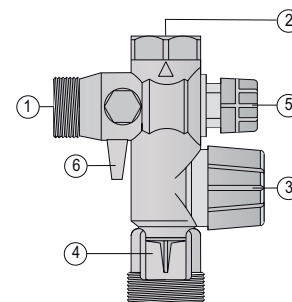
Este interruptor detiene el funcionamiento del depósito de ACS cuando la temperatura del agua en su interior supere los 90°C.

Modelo	Unidades	Depósito ACS
Termostato		Reinicialización manual
Desconectar	°C	90
Contadores		
Corriente	A	20 (AC1)
Tensión	V	230V
Resistencias de la calefacción		
Potencia eléctrica	kW	3,0
Tensión	V	230V
Ø	mm	6,4
Resistencias de todas las tuercas cónicas de fijación	"G	1-1/4"
Carga de calor específico	W/cm ²	14,2
Material		INCOLOY 825
Cable de resistencia		Ni-Cr 80/20 Ø 0,45 mm
Sensor del depósito de ACS		NTC 20k

11 NORMA GENERAL PARA LA INSTALACIÓN HIDRÁULICA

- La válvula de seguridad se colocará en la instalación de agua sanitaria.
- En la instalación del depósito de agua caliente sanitaria se colocará un reductor de presión. La presión nominal de la unidad de seguridad debe ser de 8 bares.
- Cuando la presión principal sea superior a 6 bares se deberá instalar un reductor de presión.
- El goteo de agua durante la calefacción (expansión) es normal. El volumen de este goteo puede ser de hasta un 3% de la capacidad del depósito de almacenamiento.
- El dispositivo regulador de presión debe funcionar con regularidad, dependiendo de la calidad del agua, para eliminar la cal del depósito y comprobar que no se bloquee.
- Se puede producir alguna fuga de agua en el dispositivo de protección de presión. La tubería de descarga debe estar siempre abierta a la atmósfera, sin escarcha y en pendiente descendente continua.
- En las conexiones de entrada y salida de agua sanitaria del depósito, así como en las conexiones del depósito al circuito, se deben instalar manguitos dieléctricos.
- Vaciado del depósito de agua caliente sanitaria: Cierre la válvula de entrada principal de agua y abra la válvula limitadora del grupo de seguridad del agua.

Ref.	Nombre
①	Entrada principal de agua
②	Conexión del depósito de agua caliente sanitaria
③	Válvula de seguridad y vaciado manual
④	Conexión de vaciado
⑤	Válvula de retención
⑥	Válvula de cierre



1 ALLGEMEINE INFORMATIONEN

Ohne Genehmigung von HITACHI Air Conditioning Products Europe, S.A.U. dürfen Teile dieses Dokuments nicht wiedergegeben, kopiert, gespeichert oder in irgendeiner Form übertragen werden.

Unter einer Firmenpolitik, die eine ständige Qualitätsverbesserung ihrer Produkte anstrebt, behält sich HITACHI Air Conditioning Products Europe, S.A.U. das Recht vor, jederzeit Veränderungen ohne vorherige Ankündigung und ohne die Verpflichtung, diese in die bereits verkauften Produkte einfügen zu müssen, vornehmen zu können. An diesem Dokument können daher während der Lebensdauer des Produkts Änderungen vorgenommen worden sein.

HITACHI unternimmt alle Anstrengungen, um immer richtige Dokumentationen auf dem neuesten Stand zu liefern. Dennoch unterliegen Druckfehler nicht der Kontrolle und Verantwortlichkeit von HITACHI.

Daher kann es vorkommen, dass bestimmte Bilder oder Daten, die zur Illustration dieses Dokuments verwendet werden, auf spezifische Modelle nicht anwendbar sind. Für Daten, Abbildungen und Beschreibungen in diesem Handbuch wird keine Haftung übernommen.

2 SICHERHEIT

2.1 ANGEWENDETE SYMBOLE

Bei den Gestaltungs- und Installationsarbeiten von Wärmepumpensystemen gibt es einige Situationen, bei denen besonders vorsichtig vorgegangen werden muss, Schäden am Gerät, an der Anlage, am Gebäude oder Eigentum zu vermeiden.

Die Situationen, die die Sicherheit in der Umgebung oder das Gerät an sich gefährden, werden in dieser Anleitung eindeutig gekennzeichnet.

Um diese Situationen deutlich zu kennzeichnen, werden eine Reihe bestimmter Symbole verwendet.

Bitte beachten Sie diese Symbole und die ihnen nachgestellten Hinweise gut, weil Ihre Sicherheit und die anderer Personen davon abhängen kann.

GEFAHR

- *Der Text nach diesem Symbol enthält Informationen und Anweisungen, die sich direkt auf Ihre Sicherheit und Wohlbefinden beziehen.*
- *Wenn diese Anweisungen nicht beachtet werden, kann dies bei Ihnen oder anderen Personen, die sich in der Nähe des Geräts befinden, zu schweren, sehr schweren oder sogar tödlichen Verletzungen führen.*

In dem Text, der dem Gefahren-Symbol folgt, können Sie auch Informationen zu sicheren Verfahren während der Geräteinstallation finden.

VORSICHT

- *Der Text nach diesem Symbol enthält Informationen und Anweisungen, die sich direkt auf Ihre Sicherheit und Wohlbefinden beziehen.*
- *Wenn diese Anweisungen nicht beachtet werden, kann dies zu leichten Verletzungen bei Ihnen oder anderen Personen führen, die sich in der Nähe des Geräts befinden.*
- *Wenn diese Anweisungen nicht beachtet werden, kann dies zur Beschädigung des Geräts führen.*

In dem Text, der dem Vorsicht-Symbol folgt, können Sie auch Informationen zu sicheren Verfahren während der Geräteinstallation finden.

HINWEIS

- *Der Text nach diesem Symbol enthält Informationen und Anweisungen, die nützlich sein können oder einer ausführlicheren Erläuterung bedürfen.*
- *Es können auch Hinweise über Prüfungen an Gerätebauteilen oder Systemen gegeben werden.*

2.2 ZUSÄTZLICHE INFORMATIONEN ÜBER SICHERHEIT

GEFAHR

- **SCHLIESSEN SIE DAS INNENGERÄT UND DEN WARMWASSERSPEICHER NICHT AN DIE STROMVERSORGUNG AN, BEVOR BEIDE KREISLÄUFE MIT WASSER GEFÜLLT, DER WASSERDRUCK GEPRÜFT UND KEINERLEI WASSERLECKS VORHANDEN SIND.**
- **Verschütten Sie kein Wasser über die elektrischen Teile. Kommen die elektrischen Komponenten in Kontakt mit Wasser, kann dies zu schweren Stromschlägen führen.**
- **Berühren oder justieren Sie nicht die Sicherheitsvorrichtungen in der Luft-Wasser-Wärmepumpe. Wenn diese Vorrichtungen berührt oder justiert werden, kann dies zu schweren Unfällen führen.**
- **Schalten Sie den Hauptschalter bei einem Brand AUS, löschen Sie das Feuer sofort, und wenden Sie sich an den Wartungsdienst.**
- **Es muss sichergestellt werden, dass der Warmwasserspeicher nicht versehentlich ohne Wasser oder mit Luft im Hydrauliksystem betrieben wird.**

VORSICHT

- *Vermeiden Sie in einem Umkreis von einem Meter jegliche Verwendung von Sprühmitteln, wie z.B. Insektengift, Lacknebel, Haarspray oder anderen entzündbaren Gasen.*
- *Sollte ein Installations-Schaltautomat oder die Gerätesicherung öfter ausgelöst werden, schalten Sie das System aus und wenden sich an Ihren Wartungsdienst.*
- *Führen Sie keine Wartungsarbeiten selbst aus. Diese Arbeiten dürfen nur von qualifiziertem Fachpersonal ausgeführt werden.*
- *Dieses Gerät darf nur von Erwachsenen und befähigten Personen betrieben werden, die zuvor technische Informationen oder Instruktionen zu dessen sachgemäßer und sicherer Handhabung erhalten haben.*
- *Achten Sie darauf, dass Kinder nicht mit dem Gerät spielen.*
- *Achten Sie darauf, dass keine Fremdkörper in die Wasserein- und -auslassrohrleitung des Warmwasserspeichers gelangen.*

2.3 WICHTIGER HINWEIS

- Die ergänzenden Informationen zu den erworbenen Produkten werden auf einer CD-ROM bereitgestellt, die im Paket mit dem Innengerät zu finden ist. Falls diese CD-ROM fehlt oder nicht lesbar sein sollte, setzen Sie sich bitte mit Ihrem HITACHI-Händler oder Vertragspartner in Verbindung.
- **LESEN SIE DAS HANDBUCH UND DIE DATEIEN AUF DER CD-ROM SORGFÄLTIG DURCH, BEVOR SIE MIT DER INSTALLATION DER LUFT-WASSER-WÄRMEPUMPE BEGINNEN.** Die Nichtbeachtung der in der Produktdokumentation beschriebenen Installations-, Nutzungs- und Betriebshinweise kann nicht nur Funktionsstörungen, sondern auch mehr oder weniger schwere Schäden und im Extremfall sogar einen nicht zu behobenden Schaden an der Luft-Wasser-Wärmepumpe hervorrufen.
- **Dieses Dokument enthält die Informationen bezüglich des HITACHI-Warmwasserspeichers. Der HITACHI-Warmwasserspeicher kann an das YUTAKI S, YUTAKI S80 Innengerät TYP 1 oder YUTAKI M angeschlossen werden. Sehen Sie bitte das Handbuch (Heizungsinformation) oder die mit dem Gerät gelieferte CD-ROM für die komplette Information über das System ein.**
- Überprüfen Sie anhand der mit den Außen- und Innengeräten und mit dem Warmwasserspeicher gelieferten Handbüchern, dass alle für die korrekte Installation des Systems erforderlichen Informationen vorhanden sind. Wenn dies nicht der Fall ist, wenden Sie sich an Ihren Hitachi-Händler.
- HITACHI hat sich zum Ziel gesetzt, das Produktdesign und Leistungskapazitäten kontinuierlich zu verbessern. Aus diesem Grund können technische Daten auch ohne Vorankündigung geändert werden.
- HITACHI kann nicht alle möglichen Umstände voraussehen, die potentielle Gefahrenquellen bergen können.
- Bestandteile dieses Handbuchs dürfen nur mit schriftlicher Genehmigung vervielfältigt werden.
- Bei Fragen wenden Sie sich bitte an Ihren Wartungsdienst oder HITACHI-Händler.
- Überprüfen Sie, ob die Erläuterungen der einzelnen Abschnitte dieses Handbuchs auf Ihr jeweiliges Warmwasserspeicher-Modell zutreffen.
- Die Haupteigenschaften Ihres Systems finden Sie unter den Modellcodes.
- Signalwörter (HINWEIS, GEFAHR und VORSICHT) kennzeichnen den Gefahrenschweregrad. Die Definitionen der Gefahrenstufen werden in den Anfangsseiten dieses Dokuments erläutert.
- Die Betriebsarten dieser Geräte werden durch eine Gerätesteuerung gesteuert.
- Dieses Handbuch muss als ein wesentlicher Bestandteil des Systems angesehen werden. Es liefert Ihnen eine allgemeine Beschreibung und Informationen, die für dieses System wie auch für andere Modelle gelten.
- Halten Sie die Wassertemperatur des Systems über dem Gefrierpunkt.

	Mind.	Max.
Speicherbetriebstemperatur	Frostfrei	75°C

- Dieses Handbuch muss als ein wesentlicher Bestandteil des Warmwasserspeichers angesehen werden. Dieses Handbuch liefert Ihnen allgemeine Anleitungen und Informationen für diesen Warmwasserspeicher.
- Der sekundäre Kreislauf (Brauchwasserkreislauf) muss mit einem Druck- und Temperaturentlastungsventil (Druckeinstellung 7 bar, Temperatureinstellung 90°C) ausgestattet sein.
- Die Ablassrohrleitung mit dem Überdruckventil muss zu einem Ablauf führen, aber diese Rohrleitung darf nicht direkt an den Ablauf angeschlossen werden.
- Der primäre Kreislauf (Heizwasserkreislauf) muss mit einem Überdruckventil ausgestattet sein, das auf maximal 3 bar eingestellt wird. Wenn der Speicher installiert wurde, zuerst den sekundären Kreislauf (Brauchwasser) füllen und mit Druck beaufschlagen.
- Nach Durchführung des Schritts 4 den primären Kreislauf füllen.
- Wenn die Hauptrohrleitung keine rostfreie Edelstahlrohrleitung ist, müssen dielektrische Buchsen an den Anschlüssen des sekundären Kreislaufs angebracht werden.
- Wenn der Kaltwasser-Eingangsdruck höher ist als der Systemdruck des Geräts, muss ein Druckminderer mit einer niedrigeren Druckeinstellung als der Systemdruck angebracht werden.
- Um Wärmeverluste an den Warmwasserleitungen bei Nachtspeichersystem zu vermeiden, sollte ein thermischer Siphon am Speicherauslass installiert werden. Die Warmwasserrohrleitung muss wärmeisoliert werden (mindestens bis zum thermischen Siphon).
- Rücklaufkreisläufe aus Kupfer sollten vermieden werden.
- Diese Installation unterliegt der bauaufsichtlichen Zulassung. Benachrichtigen Sie bitte die lokale Behörde über Ihre Installationsabsicht.
- Bitte übergeben Sie nach der Installation das Handbuch dem Hausbesitzer.
- Die Entlastungsventilanschlüsse des Zylinders dürfen nicht für andere Zwecke verwendet werden.
- Ablassen des Wassers aus dem sekundären Kreislauf (Anweisungen):
 - Den Speicher vom Netzdruck trennen, d. h. über ein Absperrventil im Kaltwassereinlass.
 - Das Entlastungsventil des Speichers öffnen.
 - Der Warmwasserspeicher wird dank eines Siphoneffekts über die Ablaufleitung des Entlastungsventils, das an der Kaltwassereinlassleitung im unteren Teil des Speichers installiert ist, entleert.

3 INSTALLATION

3.1 PRODUKTÜBERSICHT

Gerätetyp: Warmwasserspeicher								
Kapazität (L) 200-300 Liter								
S= Rostfrei								
Positions-Trennungsstrich (fest)								
3,0 kW								
Elektrischer Heizer								
Serie								
E = Hergestellt in Europa								
DHWT	XXX	S	-	3,0	H	2	E	

3.2 ALLGEMEINE HINWEISE

3.2.1 Komponenten bei Erhalt



DHWT-(200/300)S-3.0H2E ist ein indirekter Edelstahlwasserheizer. Das Produkt ist zum Aufheizen von Brauchwasser aus einer externen Wärmequelle, wie z. B. einer Wärmepumpe, bestimmt.

Das Produkt vorsichtig auspacken, um Schäden zu vermeiden. Das Produkt auf einer flachen, ebenen Oberfläche aufstellen, die ausgelegt ist, das gesamte Gewicht des mit Wasser gefüllten Produkts zu tragen. Die werksseitig montierten einstellbaren Füße wie erforderlich anpassen. Das Produkt muss in einer aufrechten, ebenen Position installiert werden. Alle Leitungs- und Elektroarbeiten müssen von einem autorisierten Installateur durchgeführt werden.

Bevor das Gerät mit Wasser gefüllt wird, wird empfohlen, das Stromkabel anzubringen, siehe „9.5 Elektrische Heizer“.

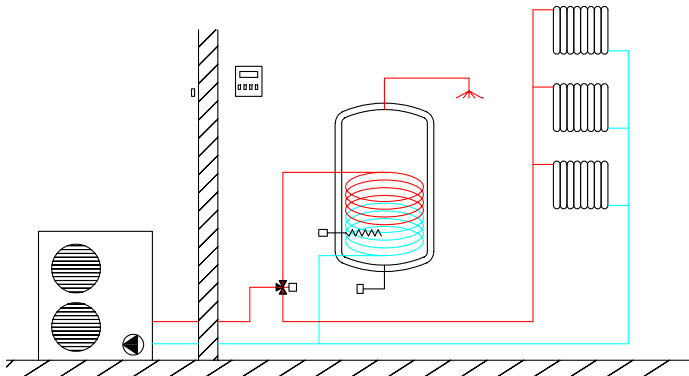
Auf Fliesenböden muss das Gerät aufrecht und durch Anpassen der integrierten Füße eben installiert werden. Geräte müssen sicher an der Wand befestigt werden.

Dieses Gerät muss ständig an der Hauptwasserzufuhr angeschlossen sein.

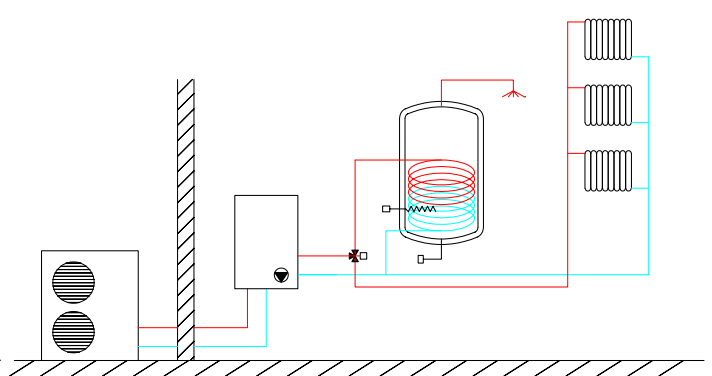
Nur ein durch NBI 06870/387 zugelassenes Überdruckventil ist für die Verwendung mit diesem Produkt erlaubt.

3.3 INSTALLATIONSBEISPIELE

◆ Heizungsanlagen YUTAKI M



◆ Heizungsanlagen YUTAKI S und S80



i HINWEIS

Weitere Informationen finden Sie im Installationshandbuch des Yutaki-Systems.

4 GRUNDLEGENDE FEHLERBEHEBUNG

! VORSICHT

- Wenn eine Wasserundichtigkeit auftritt, stoppen Sie den Betrieb und wenden sich an den Wartungsdienst.
- Bei Brandgeruch oder weißem Rauch, der aus dem Warmwasserspeicher austritt, stoppen Sie das System und wenden sich an den Wartungsdienst.

◆ KEINE FUNKTION

- Prüfen Sie, ob Einstelltemperatur des YUTAKI-Systems auf den richtigen Temperaturwert gesetzt wurde.
- Prüfen Sie den Stromanschluss des Geräts und des Warmwasserspeichers (Sicherungs- oder Trennschalterbetrieb).
- Prüfen Sie die Wassertemperatur und eine mögliche Thermostat-Ausschaltung (bei einer höheren Temperatur als 90°C > Thermostat-Ausschaltung)
- Prüfen Sie den Wasserdruck und Wasserdurchfluss (mindestens 0,1 MPa).
- Prüfen Sie, dass das manuelle Thermostat des Warmwasserspeichers auf den maximalen Wassereinstellpunkt durch die YUTAKI-Systemsteuerung eingestellt ist (prüfen Sie den Wassereinstellpunkt bei Antilegionellen).

◆ HEIZT NICHT KORREKT

- Prüfen Sie, ob der Wasserkreislauf verstopft ist.
- Prüfen Sie, ob die Wasserdruckeinstellung im zulässigen Betriebsbereich liegt.
- Prüfen Sie den Stromanschluss des Steuerungssystems und des Warmwasserspeichers.
- Sollte das Gerät nicht funktionieren, prüfen Sie den Heizer.

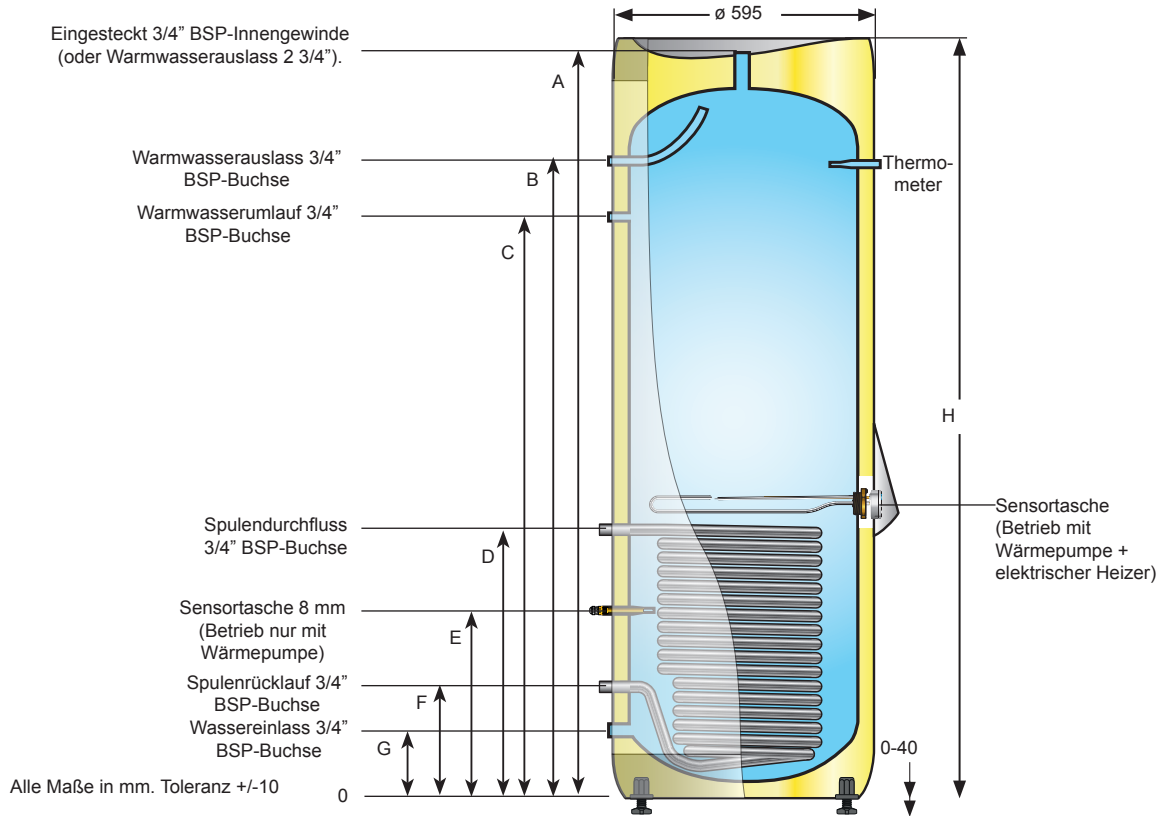
◆ WENN DAS PROBLEM WEITERBESTEHT...

Sollte das Problem auch nach Überprüfung der obigen Punkte weiterbestehen, wenden Sie sich an Ihren Vertragshändler und teilen Sie ihm folgende Daten mit:

- Name des Gerätemodells
- Problembeschreibung

5 MASSSTABSGERECHTE ZEICHNUNGEN

5.1 DHWT(200/300)S-3.0H2E



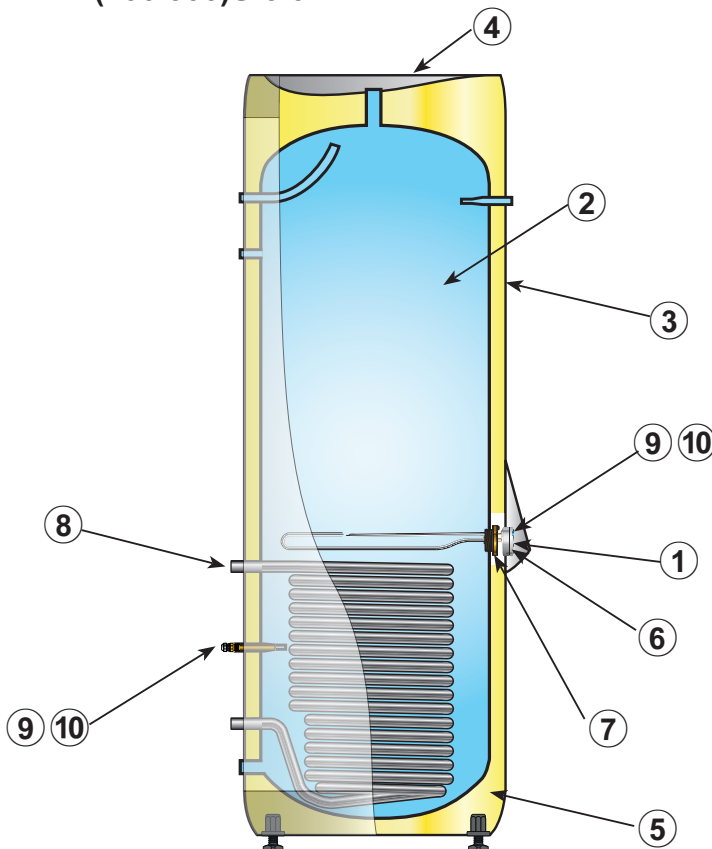
DEUTSCH

Code	Modell	Kapazität Personen	Gewicht (kg)	Frachtvol. (m³)	Aufwärmzeit Std. Δt 65°C	Volumen (L)	Wärmeverlust (W)	Leistungsbeurteilung ErP
70544002	DHWT-200S-3.0H2E - 3 kW/1x230 V+Spule 1,4 m²	3,0	53	0,46	VP \leq 10kW	194	47,3	B
70544003	DHWT-300S-3.0H2E - 3 kW/1x230 V+Spule 1,8 m²	5,0	63	0,62	VP \leq 12kW	284	62,8	B

Abmessungen	DHWT-200S-3.0H2E	DHWT-300S-3.0H2E
A	1265	1745
B	977	1457
C	842	1322
D	677	867
E	482	594
F	267	267
G	156	156
Durchmesser x Höhe (mm)	$\varnothing 595 \times 1270$	$\varnothing 595 \times 1750$

6 TEILEBEZEICHNUNG

6.1 DHWT(200/300)S-3.0H2E



Ref.	Anz.	Name
①	1	Inspektionsöffnung
②	1	HSW-Speicherbehälter
③	1	Außenabdeckung
④	1	Obere Abdeckung
⑤	1	Wärmeisolierung
⑥	1	Steuerung
⑦	1	Elektrischer Heizer
⑧	1	Heizspule
⑨	1	Sensoren
⑩	1	Warmwasserspeicher-Sensor

7 GERÄTEINSTALLATION

Packen Sie die Produkte so nahe wie möglich am Installationsort aus.

Überprüfen Sie den Inhalt der Verpackung:

- Warmwasserspeicher-Modell
- Installations- und Betriebshandbuch und Dokumente

7.1 AUSWAHLVERFAHREN FÜR WARMWASSERSPEICHER

⚠ VORSICHT

- Der Warmwasserspeicher sollte an einem Platz im Innenbereich installiert werden.
- Die Installation des Warmwasserspeicher darf nur von einem qualifizierten Techniker ausgeführt werden.
- Installieren Sie den Warmwasserspeicher wie in den folgenden Abbildungen dargestellt, sodass um das Gerät herum genügend Platz für Betrieb und Wartung bleibt.
- Installieren Sie das Warmwasserspeicher an einem gut belüfteten Ort. Installieren Sie den Warmwasserspeicher nicht in einer Umgebung mit einem hohen Anteil an Ölnebeln, Salz oder Schwefel.
- Arbeiten bei ungenügender Belüftung in geschlossenen Räumen können zu Sauerstoffmangel führen. Wenn Reinigungsmittel hohen Temperaturen ausgesetzt werden (z.B. durch Feuer), kann es zur Bildung giftiger Gase kommen.
- Der Warmwasserspeicher darf nicht in der Nähe von brennbaren Substanzen installiert werden.
- Wenn Sie ein Gerät in der Nähe des Warmwasserspeicher installieren, halten Sie stets einen Abstand von mehr als 500mm zum Warmwasserspeicher ein.

7.2 BETRIEBBEREICH

- Vergewissern Sie sich, dass der Warmwasserspeicher vertikal installiert ist.
- Verwenden Sie zum Reinigen eine unbrennbare und ungiftige Reinigungsflüssigkeit. Bei der Verwendung eines brennbaren Mittels besteht Explosions- oder Brandgefahr.
- Nach den Reinigungsarbeiten darf keine Reinigungsflüssigkeit zurückbleiben.
- Klemmen Sie beim Schließen des Schaltschrankdeckels keine Kabel ein. Ein Stromschlag könnte die Folge sein.

7.3 GEWÄHRLEISTUNG DER WASSERZUFUHRKONTROLLE

Brunnen oder Flusswasser enthält häufig große Mengen an Schwebeteilchen, organischen Stoffen und Kalk. Deshalb muss das Wasser mit chemischen Produkten gefiltert oder chemisch enthärtet werden, bevor es für den Warmwasserspeicher verwendet werden kann.

Ebenso müssen die Wasserqualität analysiert und der pH-Wert, die spezifische elektrische Leitfähigkeit und weitere Wassereigenschaften überprüft werden. Die folgende Standardwasserqualität ist die empfohlene:

Element	Zufuhrwasser für den Warmwasserspeicher
Chlor-Ion (mg Cl ⁻ /l)	Weniger als 150
Elektrische Leitfähigkeit (µs/cm)	100~2000
Gesamthärte (mg CaCO ₃ /L)	60~150
Sulfatgehalt (mg/L)	max. 250

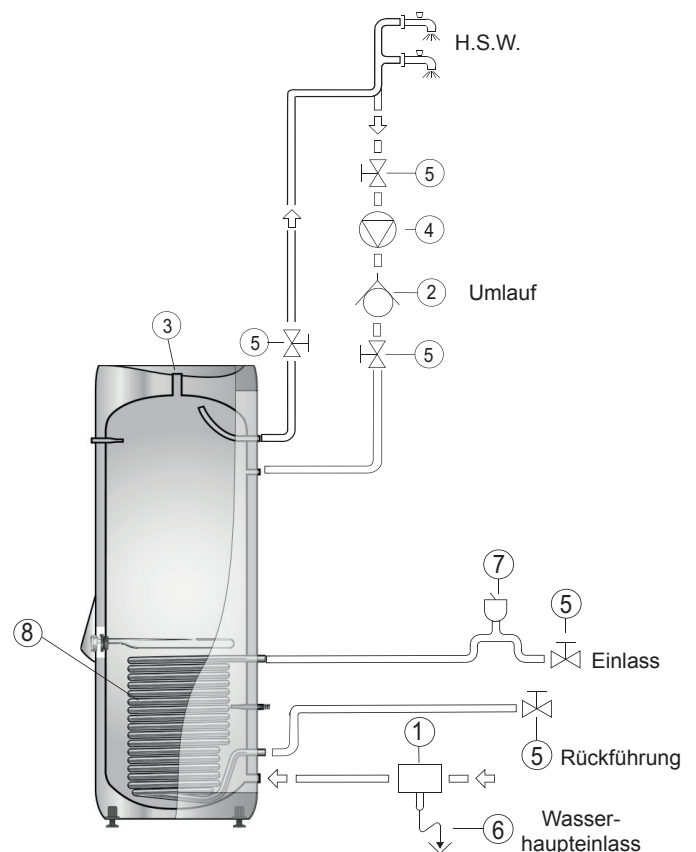
HINWEIS

Der Wasserbereich entspricht s/UNE 112076:2004 IN.

8 HYDRAULIKKREISLAUF

Nachdem die Leitungen angeschlossen sind:

- 1 Verbinden Sie alle Leitungen so nah wie möglich an dem Gerät, damit sie im Bedarfsfall leicht abgeklemmt werden können.
- 2 Bei der Leitungsverlegung für den Kühlwassereinlass und -auslass wird empfohlen, biegsame Verbindungsstücke zu benutzen, damit Erschütterungen nicht übertragen werden.
- 3 Wenn möglich sollten Keilschieber für die Wasserleitungen benutzt werden, damit der Strömungswiderstand reduziert und ein ausreichender Wasserfluss beibehalten werden kann.
- 4 Zur einfacheren Wartung sollten Kugelhähne an beiden Wasserrohrleitungsanschlüssen angebracht werden.
- 5 Überprüfen Sie gründlich, dass innerhalb und außerhalb des Systems keine Leckwasserstellen vorhanden sind, indem Sie die Kühlwassereinlass- und -auslassventile zum Wasserkühler vollständig öffnen.
- 6 Dieser Warmwasserspeicher muss vollkommen entlüftet werden, um zu verhindern, dass die Heizelemente den Behälter ohne Wasser erhitzen.
- 7 Die Hydrauliksystemleitungen sollten mit einer Wärmeisolierung versehen werden, um Verletzungen durch heiße Leitungsoberflächen und Wärmeverluste zu vermeiden.
- 8 Wenn das Gerät während der Ausschaltperioden gestoppt wird und die Umgebungstemperatur sehr niedrig sind, kann das Wasser in den Rohrleitungen und in der Umwälzpumpe gefrieren und die Rohrleitungen und die Wasserpumpe beschädigen. Um dies zu verhindern, sollte das Wasser in der Anlage während der Ausschaltperioden abgelassen werden.



1	Sanitäres Überdruckventil
2	Rückschlagventil
3	Wasserauslass 2
4	Umwälzpumpe
5	Absperrhahn
6	Abfluss
7	Entlüftung (Luft)
8	Heizspule

HINWEIS

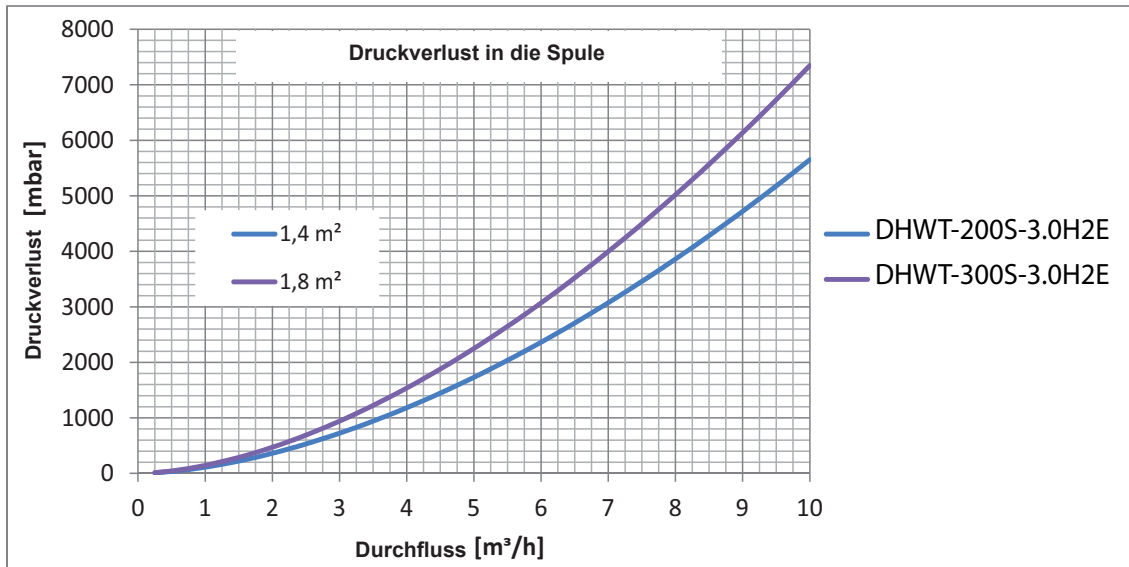
Periodisch überprüfen:

- Wasserdurchfluss und Wasserdruck
- Wasserleckagen
- Anziehen der Befestigungspunkte

VORSICHT

- Die Einlass- und Auslassrohrleitungsanschlüsse müssen 1G" sein.
- Die Richtung des Wasserdurchflusses muss - so wie in der vorherigen Zeichnung gezeigt - eingehalten werden.

8.1 DRUCKABFÄLLE



9 KABELANSCHLUSS

9.1 ALLGEMEINE PRÜFUNG

- 1 Stellen Sie sicher, dass die vor Ort beschafften elektrischen Komponenten (Hauptnetzschalter, Stromkreisunterbrecher, Kabel, Stecker und Kabelanschlüsse) gemäß den angegebenen elektrischen Daten ausgewählt wurden. Stellen Sie sicher, dass die elektrischen Komponenten den regionalen und nationalen Normen entsprechen.
- 2 Der elektrische Anschluss darf nur von einem qualifizierten Techniker ausgeführt werden.
- 3 Prüfen Sie, ob die Spannung der Stromversorgung nicht mehr als +/-10% der Nennspannung liegt.
- 4 Stellen Sie sicher, dass die Impedanz der Stromversorgung so gering ist, dass die Spannung beim Einschalten nicht unter 85% der Nennspannung fällt.
- 5 Stellen Sie sicher, dass das Erdungskabel sicher und gemäß den regionalen und nationalen Normen angeschlossen, gekennzeichnet und befestigt ist.
- 6 Schließen Sie eine Sicherung mit entsprechender Stärke an.
- 7 Prüfen Sie periodisch den Festsitz der elektrischen Anschlüsse.

VORSICHT

- Stellen Sie sicher, dass die Schrauben der Klemmleiste fest angezogen sind.
- Schützen Sie Kabel, Abflussrohrleitung und elektrische Bauteile vor Beschädigung durch Ratten oder andere Kleintiere. Ungeschützte Bauteile werden möglicherweise von Ratten beschädigt. Im schlimmsten Fall kann es zu einem Brand kommen.
- Wickeln Sie eine zusätzliche Isolierung um die Kabel, um sie so vor Kondenswasser oder Insekten zu schützen.
- Sichern Sie die Kabel mit der Kabelklemme im Inneren des Geräts.
- Verlegen Sie die Kabel so, dass sie nicht im Kontakt mit Wasserrohrleitungen sind.
- Wickeln Sie eine zusätzliche Isolierung um die Kabel der Systemsteuerung.

GEFAHR

- Schalten Sie den Netzschalter aus, bevor Sie an Kabelanschlüssen arbeiten.
- Sollten mehr Netzschalter für EIN/AUS vorhanden sein, stellen Sie sicher, dass alle ausgeschaltet sind.

9.2 KABELGRÖSSE

Empfohlene Minstdurchmesser für vor Ort bereitgestellte Kabel

Modell	Stromversorgung	Max. Strom	EH-Kabelgröße der Stromquelle		Sensorkabelstärke	
			EN60 335-1		EN60 335-1	
Warmwasserspeicher	1~ 230V 50Hz	15A	2,5mm²		0,75mm²	

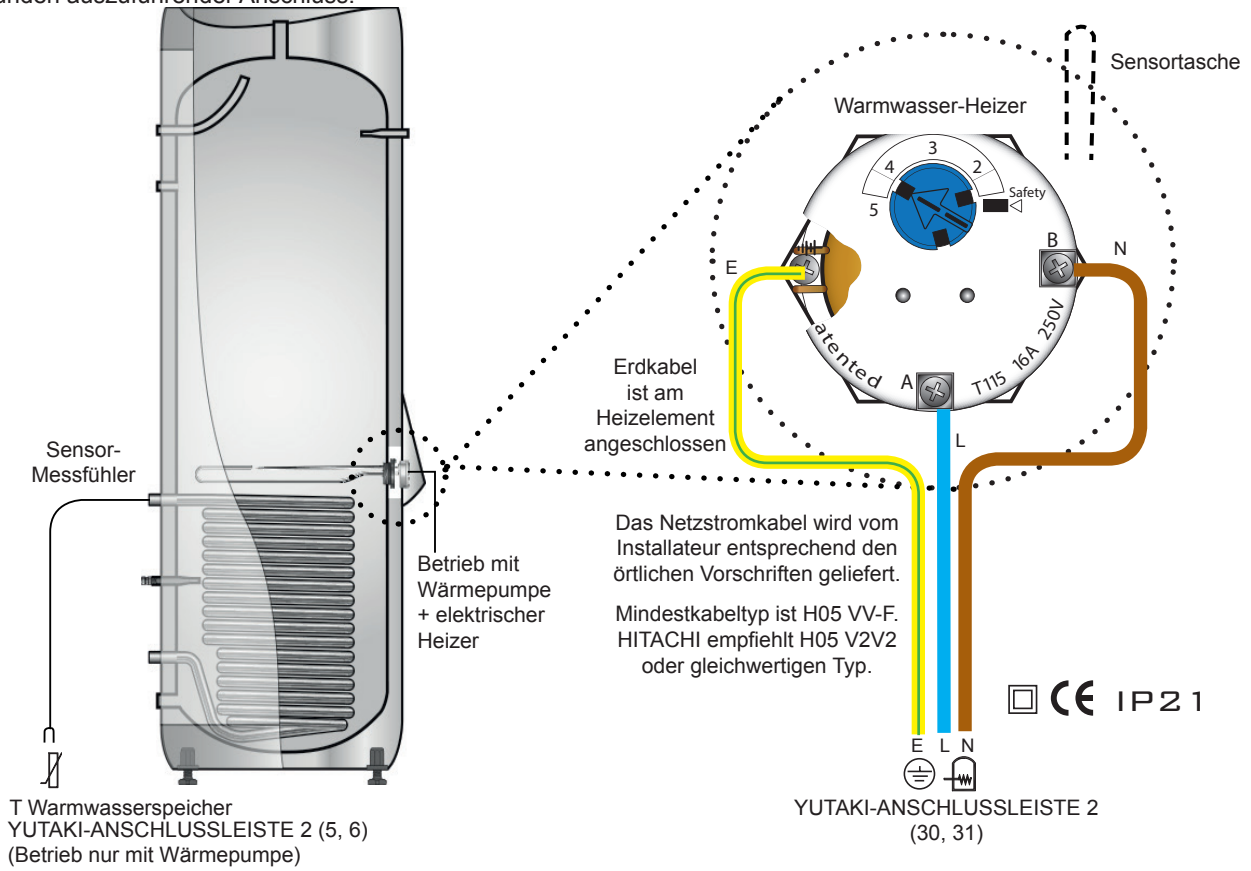
HINWEIS

- Berücksichtigen Sie bei der Auswahl der Kabel, Trennschalter und Erdschusschalter die vor Ort geltenden lokalen und nationalen Vorschriften.
- Verwenden Sie keine Kabel, die leichter sind als die standardmäßigen Polychloropren-Gummischlauchleitungen (Code-Bezeichnung H05RN-F).

9.3 KABELANSCHLÜSSE

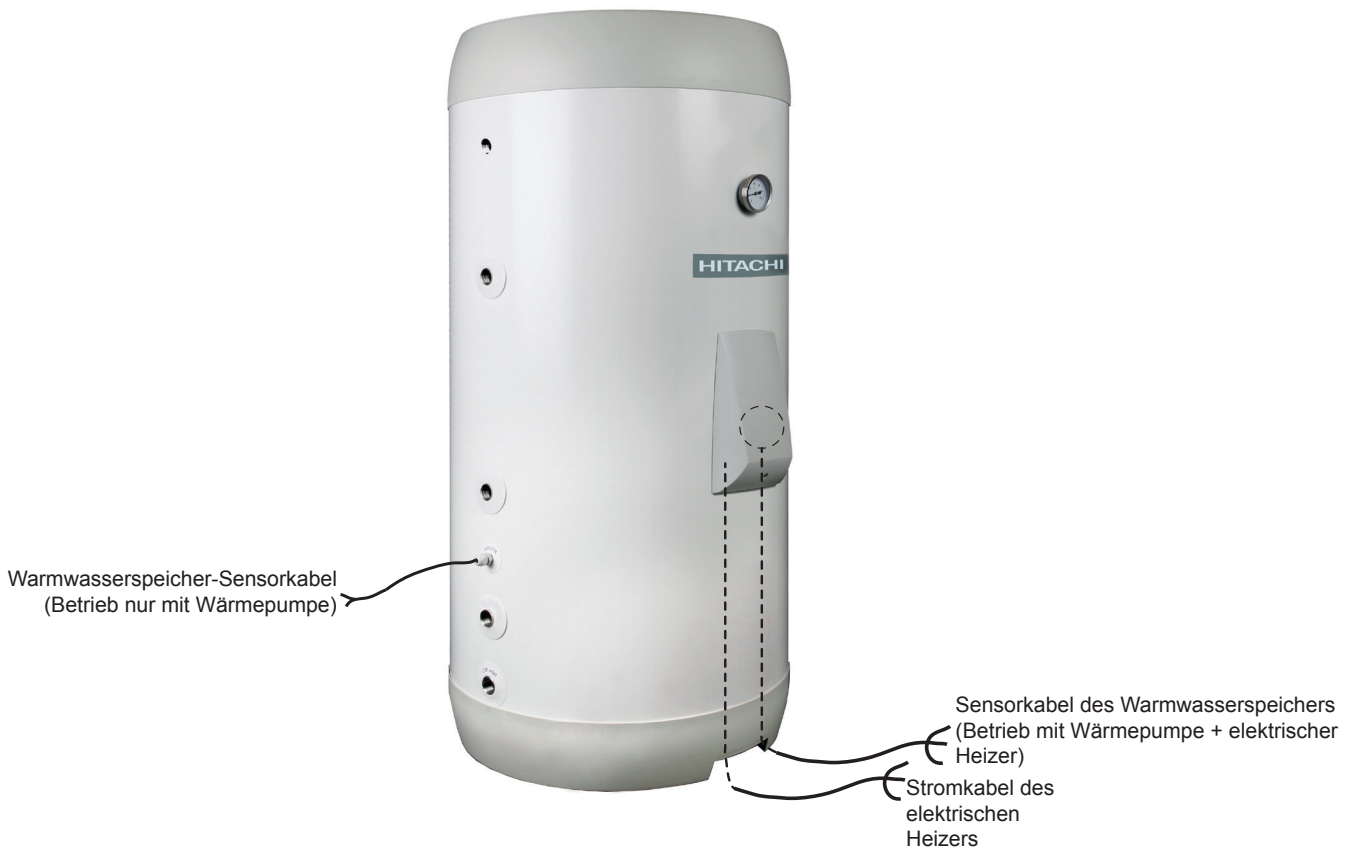
Der elektrische Kabelanschluss zwischen dem Warmwasserspeicher und dem YUTAKI-System ist wie folgt:

Vom Kunden auszuführender Anschluss:



DEUTSCH

9.4 INNENKABEL



9.5 ELEKTRISCHE HEIZER

Der elektrische Heizer ist aus der Incoloy-Legierung 825 hergestellt und erfüllt die europäische Niederspannungsrichtlinie 2006/95/EG.

Er besteht aus einem Flansch, der drei U-förmige Heizelemente für einen Leistungswiderstand von 3,0 kW hält.

9.6 ELEKTRISCHE INSTALLATION

9.6.1 Austauschen des Thermostats/Heizelements

Die Stromversorgung abschalten und die Abdeckung der elektrischen Zentraleinheit abnehmen. Wasserzufuhr und Ablassereinheit abschalten. Kabel am Thermostat und Heizelement abschrauben.

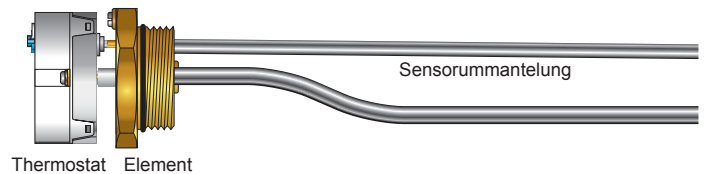
Wenn nur das Thermostat ausgetauscht wird, kann das Kabel am Heizelement verbleiben. Das Thermostat wird entfernt, indem es gerade aus seinen Buchsen am Heizelement gezogen wird.

Das Heizelement kann dann mithilfe eines Heizelementwerkzeugs entfernt/ausgetauscht werden. Stellen Sie sicher, dass die O-Ring-Dichtung am Heizelement richtig eingesetzt und unbeschädigt ist, bevor Sie das Heizelement anbringen.

Die Anlage komplett mit Wasser füllen und sicherstellen, dass das Heizelement nicht undicht ist. Das Kabel am Heizelement anschließen. Das Thermostat durch starkes Drücken einsetzen. Die Stromkabel am Thermostat anschließen.

Alle Kabelanschlüsse gründlich anziehen. Nach 3 Monaten nachziehen.

Die Abdeckung der elektrischen Zentraleinheit muss wieder angebracht werden und die Anlage muss mit Wasser gefüllt werden, bevor der Strom eingeschaltet wird.



9.7 SICHERHEITSMASSNAHMEN

- Unterbrechen Sie vor jeder Intervention die Hauptstromversorgung des Warmwasserspeicher. Alle Anschluss-Schaltkreise müssen abgeklemmt sein.
- Die Installation, Konfiguration, Inbetriebnahme und Wartung muss von einem autorisierten Elektromonteur ausgeführt werden. Alle Normen und Richtlinien müssen beachtet werden.
- Der Benutzer ist dafür verantwortlich, sicherzustellen, dass die grundlegenden Anforderungen der europäischen Niederspannungsrichtlinie respektiert werden.
- Elektrische Heizelemente erzeugen hohe Temperaturen. Sicherheitsvorkehrungen sollten getroffen werden, um Güter und Personen - während des Betriebs und nachdem die Anlage abgeschaltet oder installiert wurde - vor Unfällen mit Verbrennungen zu schützen.
- Beachten Sie den Mindestkabelquerschnitt:
- Empfohlenes Kabel für Widerstände von 3,0 kW: H05SJ-K gemäß UNE 21027, und verfügt über einen Querschnitt von mindestens 2,5 mm².
- Die Behälter müssen mit einem Warmwasserspeicher-Temperatursteuerungsthermostat und einem allpoligen Begrenzungsthermostat ausgestattet sein (die Einstellung dieser zwei Komponenten muss mit den Designparametern des Speicherbehälters kompatibel sein).
- Wir empfehlen die Installation von angemessenen Sicherheitsvorrichtungen (Temperatursicherung, Sicherheitsstufe für Heizflüssigkeiten durch natürliche Konvektion, Durchflusssicherung für Flüssigkeiten im Kreislauf usw.).

10 SICHERHEITSÜBERSICHT UND EINSTELLUNG DER STEUERGERÄTE

◆ Schutz

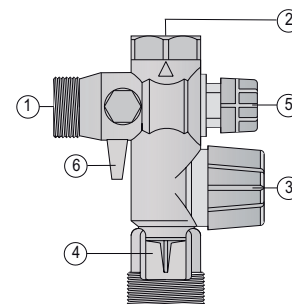
Der Schalter unterbricht den Betrieb des Warmwasserspeichers, wenn die Wassertemperatur im Warmwasserspeicher 90°C überschreitet.

Modell	Maßeinheit	Warmwasserspeicher
Thermostat		Manuelle Rückstellung
Aus	°C	90
Schütze		
Strom	A	20 (AC1)
Spannung	V	230V
Heizwiderstände		
Elektrische Leistung	kW	3,0
Spannung	V	230V
Ø	mm	6,4
Widerstände mit Konusmutter befestigen	"G	1-1/4"
Spezifische Wärmelast	W/cm ²	14,2
Material		INCOLOY 825
Heizwiderstand		Ni-Cr 80/20 Ø 0,45 mm
Warmwasserspeicher-Sensor		NTC 20k

11 ALLGEMEINER STANDARD FÜR HYDRAULIKINSTALLATIONEN

- Das Überdruckventil wird an die Brauchwasserinstallation angepasst.
- Ein Druckminderer muss in die Warmwasserspeicher-Anlage eingepasst werden. Der nominale Druck des Überdruckgeräts liegt bei 8 bar.
- Wenn der Hauptdruck über 6 bar liegt, sollte ein Druckminderer installiert werden.
- Der Wasserabfluss während des Heizens (Ausdehnung) ist normal. Die Menge dieses Abflusses kann bis zu 3% der Behälterkapazität betragen.
- Das Druckregulierungsgerät muss abhängig von der Wasserqualität ständig funktionieren, um die Kalkablagerungen zu entfernen und zu überprüfen, dass es nicht blockiert ist.
- Eine Wasserleckage kann im Druckschutzgerät vorhanden sein. Das Abflussrohr sollte immer zur Atmosphäre hin geöffnet, frei von Frost und kontinuierlich nach unten geneigt sein.
- Dielektrische Buchsen müssen am Brauchwassereingang und -ausgang und an den Speicherkreislaufanschlüssen eingepasst werden.
- Entleerung des Warmwasserspeichers: Schließen Sie das Haupteinlassventil und öffnen Sie das Entlastungsventil der Wassersicherheitsgruppe.

Ref.	Name
①	Haupteinlasswasser
②	Warmwassereinlassanschluss
③	Überdruckventil und manuelles Entleeren
④	Entleerungsanschluss
⑤	Absperrventil
⑥	Schließen Sie das Ventil



1 INFORMATIONS GÉNÉRALES

Aucune partie de cette publication ne peut être reproduite, copiée, archivée ou transmise sous aucune forme ou support sans l'autorisation de HITACHI Air Conditioning Products Europe, S.A.U.

Dans le cadre de la politique d'amélioration continue de ses produits, HITACHI Air Conditioning Products Europe, S.A.U. se réserve le droit de réaliser des modifications à tout moment sans avis préalable et sans aucune obligation de les appliquer aux produits vendus par la suite. Le présent document peut par conséquent avoir été soumis à des modifications pendant la durée de la vie utile du produit.

HITACHI fait tout son possible pour offrir une documentation correcte et à jour. Malgré cela, les erreurs d'impression ne peuvent pas être contrôlées par HITACHI et ne relèvent pas de sa responsabilité.

Par conséquent, certaines images ou données utilisées pour illustrer le présent document pourraient ne pas se référer à des modèles spécifiques. Aucune réclamation ne sera admise concernant les données, illustrations et descriptions de ce manuel.

2 SÉCURITÉ

2.1 SYMBOLOGIE APPLIQUÉE

Pendant les travaux habituels de conception du système de pompe à chaleur ou d'installation de l'unité, il est nécessaire de veiller plus particulièrement à certaines situations nécessitant une attention spécifique afin d'éviter des lésions et d'endommager l'unité, l'installation, le bâtiment ou la propriété.

Lorsque l'on rencontre des situations qui peuvent mettre en danger l'intégrité des personnes qui se trouvent à proximité, ou l'équipement lui-même, elles sont clairement signalées dans ce manuel.

Pour indiquer ces situations, une série de symboles spéciaux sera utilisée pour les identifier clairement.

Portez une attention particulière à ces symboles et aux messages qui les suivent car votre sécurité et celle des autres en dépendent.

DANGER

- *Les textes qui suivent ce symbole contiennent des informations et des indications associées directement à votre sécurité et à votre intégrité physique.*
- *Le non-respect de ces instructions peut entraîner des blessures graves, très graves voire mortelles à votre rencontre ou à d'autres personnes situées près de l'unité.*

Dans les textes précédant le symbole de danger, vous pouvez également trouver des informations sur des procédures sécurisées d'installation de l'équipement.

ATTENTION

- *Les textes qui suivent ce symbole contiennent des informations et des indications associées directement à votre sécurité et à votre intégrité physique.*
- *Le non-respect de ces instructions peut entraîner des blessures légères à votre rencontre ou à d'autres personnes situées près de l'unité.*
- *Le non-respect de ces instructions peut entraîner des dommages sur l'unité.*

Dans les textes qui suivent le symbole de précaution, vous pouvez également trouver des informations sur des procédures sécurisées d'installation de l'unité.

REMARQUE

- *Les textes qui suivent ce symbole contiennent des informations ou des indications utiles, ou qui méritent une explication plus étendue.*
- *Les instructions concernant les inspections à réaliser sur les pièces des unités ou sur les systèmes peuvent également apparaître ici.*

2.2 INFORMATIONS SUPPLÉMENTAIRES CONCERNANT LA SÉCURITÉ

DANGER

- **NE RACCORDEZ PAS LA SOURCE D'ALIMENTATION À L'UNITÉ INTÉRIEURE ET AU BALLON D'ECS AVANT DE REMPLIR LES DEUX CIRCUITS D'EAU ET DE VÉRIFIER LA PRESSION DE L'EAU AINSI QUE L'ABSENCE TOTALE DE FUITE D'EAU.**
- **Ne versez pas d'eau sur les composants électriques. Si les composants électriques entrent en contact avec de l'eau, cela provoquera des décharges électriques graves.**
- **Ne touchez pas et n'essayez pas de régler les dispositifs de sécurité placés dans la pompe à chaleur air-eau. Toute tentative d'accès ou de réglage de ces dispositifs pourrait entraîner des accidents graves.**
- **En cas d'incendie, fermez l'interrupteur principal (position OFF), éteignez immédiatement le feu et contactez votre service de maintenance.**
- **Vous devez vous assurer que le ballon d'ECS ne peut pas fonctionner par erreur sans eau ni avec de l'air dans le système hydraulique.**

ATTENTION

- *Ne pulvérisez jamais de produits chimiques (insecticides, laques, produits coiffants) ou tout autre gaz inflammable à moins d'un mètre environ du système.*
- *Si le disjoncteur de l'installation ou le fusible se déclenchent fréquemment, arrêtez le système et contactez votre service de maintenance.*
- *N'effectuez aucune opération de maintenance ou de contrôle par vous-même. Ce travail doit être exécuté par du personnel de maintenance qualifié.*
- *Cet équipement ne peut être utilisé que par des personnes adultes et compétentes ayant reçu des informations ou des instructions techniques pour manipuler l'équipement de façon sûre et correcte.*
- *Les enfants doivent être surveillés pour s'assurer qu'ils ne jouent pas avec l'appareil.*
- *Veillez à ne laisser aucun corps étranger dans la tuyauterie d'arrivée ou de sortie de l'eau du ballon d'ECS.*

2.3 REMARQUE IMPORTANTE

- Avec le CD-ROM inclus dans l'unité intérieure vous trouverez l'information supplémentaire à propos du produit acquis. Si vous n'avez pas ce CD-ROM où s'il serait illisible contactez votre fournisseur ou distributeur HITACHI.
- VEUILLEZ LIRE LE MANUEL ET LES FICHIERS DU CD-ROM ATTENTIVEMENT AVANT DE COMMENCER LES TRAVAUX D'INSTALLATION DU SYSTÈME DE POMPE À CHALEUR AIR-EAU. Le non-respect des instructions d'installation, d'utilisation et de fonctionnement décrites dans le présent document peut entraîner des pannes y compris des défaillances potentiellement graves, ou même la destruction du système de pompe à chaleur air-eau
- **Ce document contient les informations nécessaires au ballon d'eau chaude sanitaire HITACHI. Le ballon d'ECS HITACHI peut être connecté à l'unité intérieure YUKATI S, YUKATI S80 TYPE 1 ou YUKATI M. Veuillez consulter le manuel d'instruction (informations sur le chauffage) ou le CD-ROM livré avec l'unité pour accéder aux informations complètes du système.**
- Vérifiez, conformément aux instructions des manuels fournis avec les unités intérieures et les ballons d'ECS, que toutes les informations nécessaires à la bonne installation du système vous ont été fournies. Si ce n'est pas le cas, contactez votre distributeur.
- HITACHI poursuit une politique de perfectionnement de ses produits par l'amélioration constante de leur conception et de leurs performances. HITACHI se réserve ainsi le droit de modifier les caractéristiques de ses produits sans préavis.
- HITACHI ne peut anticiper toutes les éventuelles circonstances pouvant entraîner un danger potentiel.
- Aucune partie du présent manuel ne peut être reproduite sans autorisation écrite.
- Pour toute question, contactez votre service de maintenance HITACHI.
- Vérifiez et assurez-vous que les explications fournies dans chaque section de ce manuel correspondent à votre modèle de ballon d'ECS.
- Reportez-vous à la codification des modèles pour vérifier les caractéristiques principales de votre système.
- Les mots d'avertissement (REMARQUE, DANGER ou ATTENTION) permettent d'identifier différents niveaux de danger. Les définitions pour l'identification des niveaux de danger sont fournies sur les premières pages du présent document.
- Les modes de fonctionnement de ces modes de fonctionnement sont commandés au moyen du contrôleur d'unité.
- Ce manuel doit être considéré comme partie intégrante du système. Vous trouverez dans ce manuel des descriptions et des informations communes au système que vous utilisez et à d'autres modèles.
- Maintenez la température de l'eau du système au-dessus de la température de gel.

	Min.	Max.
Température de fonctionnement du ballon	Sans gel	75°C

- Ce manuel doit être considéré comme partie intégrante du ballon d'ECS. Ce manuel fournit une description et une information communes pour ce ballon d'ECS.
- Le circuit secondaire (circuit d'eau sanitaire) doit être équipé d'une soupape de décharge de pression et de température (réglage de la pression 7 bars ; réglage de la température 90 °C).
- Le tuyau d'évacuation de la soupape de sûreté doit mener à un tuyau d'évacuation mais celui-ci ne doit pas être raccordé directement au tuyau d'évacuation.
- Le circuit principal (circuit d'eau de chauffage) doit être équipé d'une soupape de sûreté qui doit être réglée à 3 bars au maximum. Une fois après avoir installé le ballon, remplissez tout d'abord le circuit secondaire (eau sanitaire) et mettez-le sous pression.
- Une fois après avoir réalisé l'étape 4, remplissez le circuit principal.
- Si le tuyau principal n'est pas en acier inoxydable, des bagues diélectriques doivent être installées au niveau des raccords du circuit secondaire.
- Si la pression d'arrivée de l'eau froide est supérieure à la pression de conception de l'appareil, un réducteur de pression doit être installé et réglé à une pression inférieure à la pression de conception.
- Pour éviter toute perte de chaleur par le tuyau d'eau chaude sur les systèmes de stockage au tarif nocturne, un clapet anti-thermo siphon doit être installé à la sortie du ballon de stockage. Le tuyau d'eau chaude doit être calorifugé (au moins jusqu'au clapet anti-thermo siphon).
- Il n'est pas recommandé d'utiliser des circuits de retour en cuivre.
- Cette installation doit être homologuée et conforme aux réglementations de la construction, veuillez communiquer aux autorités locales les travaux d'installation que vous souhaitez réaliser.
- Une fois l'installation terminée, veuillez remettre le manuel au propriétaire.
- Les raccords de la soupape de décharge du cylindre ne doivent pas être utilisés à d'autres fins.
- Siphonage de l'eau du circuit secondaire (instructions) :
 - Isolez le ballon de la pression nette, c.-à-d., via une soupape de détente sur l'arrivée d'eau froide.
 - Ouvrez la soupape de décharge du ballon.
 - Le ballon d'eau chaude sanitaire se videra, par effet de siphon, via le tuyau de décharge de la soupape de décharge installée sur le tuyau d'arrivée d'eau froide, sur la partie inférieure du ballon.

3 INSTALLATION

3.1 GUIDE DU PRODUIT

Type d'unité : ballon d'eau chaude sanitaire								
Capacité (L) 200-300 litres								
S= Inoxydable								
Tiret séparateur de position (fixe)								
3,0 kW								
Chauffe-eau électrique								
Série								
E = fabriqué en Europe								
DHWT	XXX	S	-	3,0	H	2	E	

3.2 REMARQUES GÉNÉRALES

3.2.1 Composants à la réception



Le ballon DHWT-(200/300)S-3.0H2E est un chauffe-eau indirect en acier inoxydable. Le produit est conçu pour procéder au chauffage de l'eau chaude sanitaire depuis une source de chaleur externe telle qu'une pompe à chaleur.

Procédez soigneusement au déemballage du produit afin de ne pas l'endommager. Installez le produit sur une surface plane et nivelée conçue pour supporter le poids du produit une fois rempli d'eau. Si besoin est, réglez les pieds réglables montés en usine. Veillez à installer le produit vertical et parfaitement nivelé. Tous les travaux de tuyauterie et d'électricité doivent être réalisés par un installateur autorisé.

Avant de remplir d'eau l'unité, il est recommandé d'installer tout d'abord le câble d'alimentation électrique, voir «9.5 Chauffe-eau électrique».

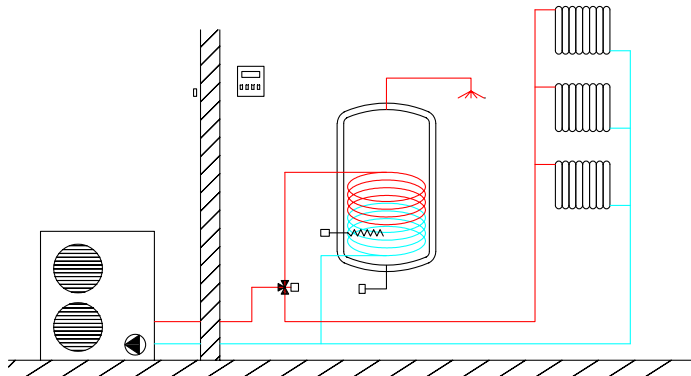
En cas de sols inclinés, l'appareil doit être installé parfaitement vertical et nivelé. Pour ce faire, réglez les pieds dont il est pourvu. Les unités doivent être correctement et fermement fixées au mur.

Cet appareil est conçu de façon à être connecté en permanence à l'arrivée d'eau principale.

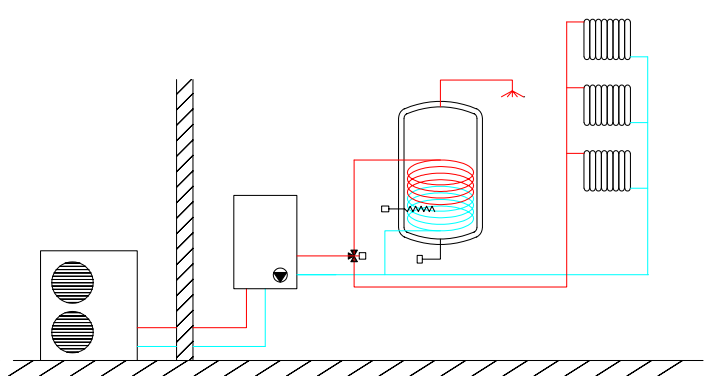
Ce produit ne doit être utilisé qu'avec des soupapes de sûreté conformes aux exigences NBI 06870/387.

3.3 EXEMPLES D'INSTALLATIONS

◆ Installations du chauffage YUTAKI M



◆ Installations du chauffage YUTAKI S et S80



i REMARQUE

Pour obtenir de plus amples informations, reportez-vous au manuel d'installation du système Yukati.

4 DÉPANNAGE DE BASE

! ATTENTION

- En cas de fuite d'eau, arrêtez l'appareil et contactez le service de maintenance.
- En cas d'odeur inhabituelle ou d'apparition d'une fumée blanche provenant du ballon d'ECS, arrêtez le système et appelez le service de maintenance.

◆ AUCUN FONCTIONNEMENT

- Vérifiez si la température de consigne du système YUTAKI est correcte.
- Vérifiez le câblage électrique de l'unité et du ballon d'ECS (fonctionnement du fusible ou du disjoncteur)
- Vérifiez la température de l'eau et une possible activation de l'interruption du courant du thermostat (si supérieure à 90 °C > interruption du courant du thermostat)
- Vérifiez la pression et le débit d'eau (au moins 0,1 MPa)
- Vérifiez que la température manuelle du ballon d'ECS est placée sur le point maximum fixé par le contrôle du système YUTAKI (vérifier le point anti-légionellose fixé).

◆ CHAUFFAGE INSUFFISANT

- Vérifiez la présence d'une obstruction du débit de l'eau dans le circuit d'eau.
- Vérifiez si les conditions de pression d'eau respectent la plage de fonctionnement.
- Vérifiez le câblage électrique du contrôleur du système et du ballon d'ECS.
- Si le chauffe-eau ne fonctionne pas, il convient de le vérifier.

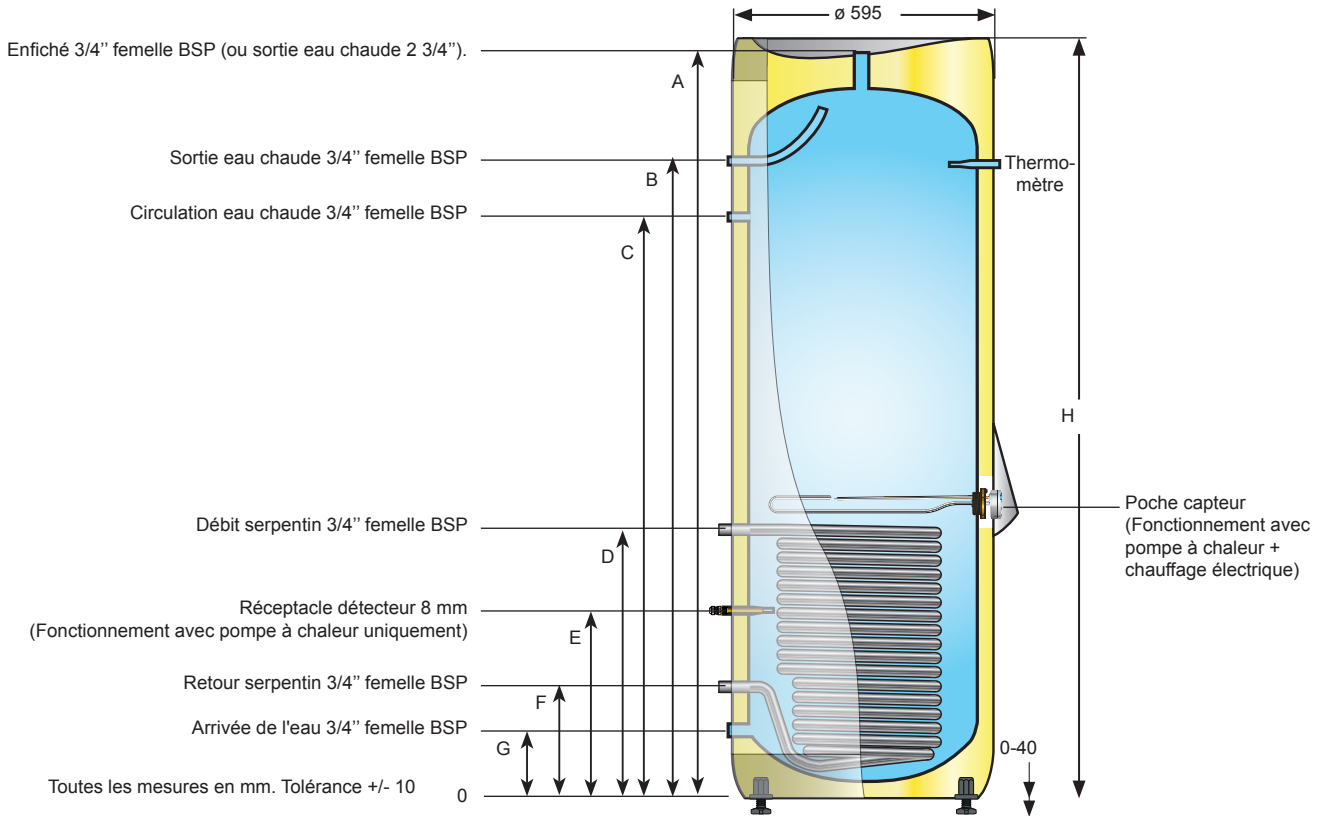
◆ SI LE PROBLÈME PERSISTE...

Si le problème persiste même après avoir vérifié les éléments précédents, contactez votre service de maintenance en lui communiquant les informations suivantes :

- Nom du modèle de l'unité
- Description du problème

5 SCHÉMAS DIMENSIONNELS

5.1 DHWT(200/300)S-3.0H2E



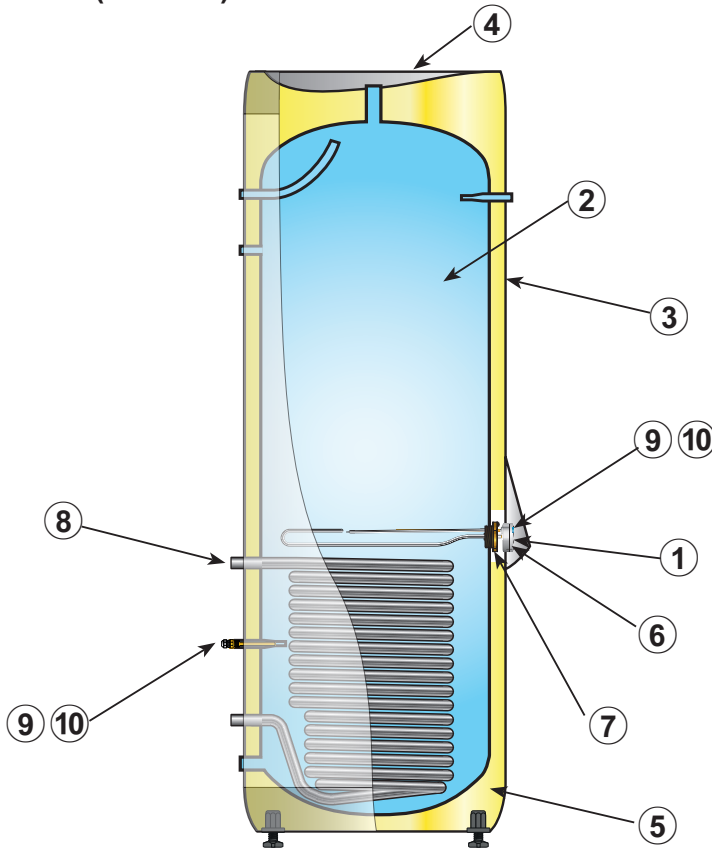
FRANÇAIS

Code	Modèle	Capacité de personnes	Poids (kg)	Vol. de marchandises (m ³)	Temps de chauffage h Δt 65 °C	Volume (L)	Perte de chaleur (W)	Service nominal ErP
70544002	DHWT-200S-3.0H2E - 3 kW/ 1 x 230 V + serpentin 1,4 m ²	3,0	53	0,46	VP ≤ 10kW	194	47,3	B
70544003	DHWT-300S-3.0H2E - 3 kW/ 1 x 230 V + serpentin 1,8m ²	5,0	63	0,62	VP ≤ 12kW	284	62,8	B

Dimensions	DHWT-200S-3.0H2E	DHWT-300S-3.0H2E
A	1265	1745
B	977	1457
C	842	1322
D	677	867
E	482	594
F	267	267
G	156	156
Dia. x Hauteur (mm)	ø 595 x 1 270	ø 595 x 1 750

6 NOMENCLATURE DES PIÈCES

6.1 DHWT(200/300)S-3.0H2E



Réf.	Qté	Nom
①	1	Ouverture d'inspection
②	1	Ballon de stockage HSW
③	1	Panneau extérieur
④	1	Panneau supérieur
⑤	1	Isolation thermique
⑥	1	Panneau de commande
⑦	1	Chauffe-eau électrique
⑧	1	Serpentin de chauffage
⑨	1	Sondes du capteur
⑩	1	Capteur du ballon d'ECS

7 INSTALLATION DES UNITÉS

Transportez les produits le plus près possible du site d'installation avant de les débiller.

Vérifiez le contenu de l'emballage :

- Modèle de ballon d'ECS
- Manuel d'installation et de fonctionnement et documents

7.1 PROCÉDURE DE SÉLECTION POUR LES BALLONS D'ECS

⚠ ATTENTION

- Le ballon d'ECS est conçu pour être installé à l'intérieur.
- L'installation du ballon d'ECS doit être réalisée par des installateurs professionnels.
- Installez le ballon d'ECS dans un espace suffisamment dégagé pour permettre de bonnes conditions de fonctionnement et de maintenance, comme montré sur les figures suivantes.
- Installez le ballon d'ECS dans un environnement bien aéré. N'installez pas le ballon d'ECS dans un endroit très exposé aux vapeurs d'huile, dans une atmosphère saline ou sulfureuse.
- Le fonctionnement avec une ventilation insuffisante, dans un endroit fermé, causera un manque d'oxygène. L'exposition des produits d'entretien à de hautes températures, par exemple au feu, peut produire des gaz toxiques.
- N'installez pas le ballon d'ECS près d'une substance inflammable.
- Lors de l'installation de certains appareils près du ballon d'ECS, gardez entre ce dernier et tout obstacle un espace de plus de 500mm.

7.2 ESPACE DE TRAVAIL

- Vérifiez que le ballon d'ECS est installé à la verticale.
- Pour le nettoyage, utilisez des produits ininflammables et non toxiques. L'utilisation d'agents inflammables pourrait provoquer une explosion ou un incendie.
- Récupérez les produits d'entretien après le nettoyage.
- Veillez à ne pas coincer les câbles lors de la fermeture du panneau du coffret électrique. Cela pourrait provoquer une décharge électrique.

7.3 CONTRÔLE DE LA QUALITÉ DE L'ARRIVÉE D'EAU

L'eau de puits ou de rivière peut, dans la plupart des cas, contenir des particules en suspension, des matières organiques ou du tartre en grandes quantités. Par conséquent, l'eau doit être filtrée ou soumise à un traitement chimique d'adoucissement avant son utilisation comme eau de ballon d'ECS.

Par ailleurs, il est également nécessaire d'analyser, entre autres, la qualité de l'eau en vérifiant le pH et la conductivité électrique. Il est conseillé d'utiliser de l'eau répondant aux normes de qualité d'eau suivantes :

Élément	Eau de distribution de ballon d'ECS
Ions chlore (mg C ⁻¹ /l)	Moins de 150
Conductivité électrique (µs/cm)	100~2000
Dureté totale (mg CaCO ₃ /l)	60~150
Teneur en sulfate (mg/l)	250 max

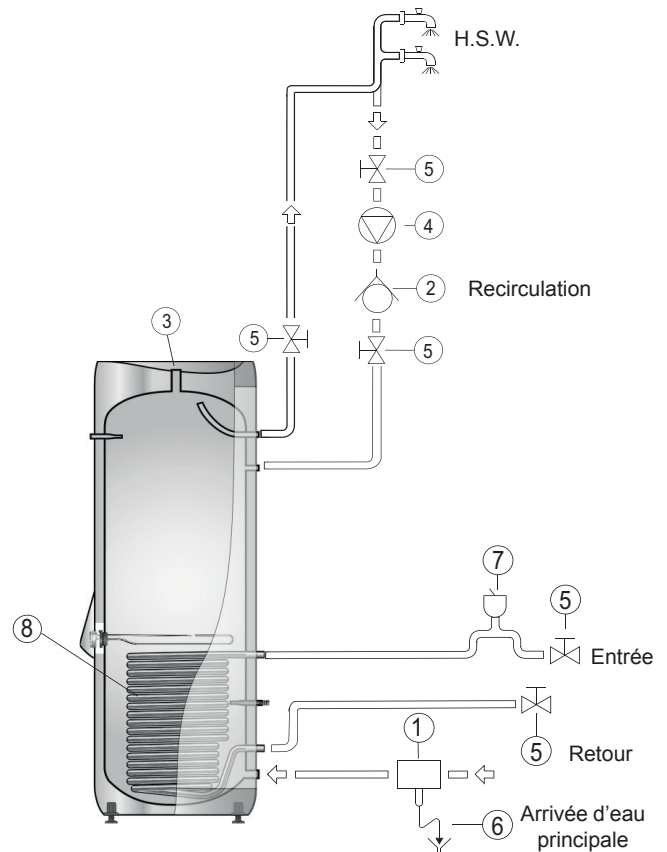
i REMARQUE

Plage d'eau selon s/UNE 112076:2004 IN.

8 CIRCUIT HYDRAULIQUE

Lors de la connexion des tuyauteries :

- 1 Connectez tous les tuyaux aussi près que possible de l'unité, de façon à faciliter leur déconnexion, si nécessaire.
- 2 Il est recommandé d'employer des joints flexibles pour les tuyauteries d'arrivée et de sortie de l'eau, afin d'éviter la transmission des vibrations.
- 3 Chaque fois que possible, des robinets-vannes doivent être installés pour les tuyauteries d'eau, de façon à minimiser la résistance à la circulation et à maintenir un débit de l'eau suffisant.
- 4 Il est recommandé d'installer des clapets à bille dans les deux connexions du tuyau d'eau pour faciliter tout travail d'entretien.
- 5 Une inspection soignée doit être réalisée afin de localiser les fuites tant à l'intérieur qu'à l'extérieur du système, en ouvrant complètement les vannes d'arrivée de l'eau et de sortie d'eau chaude vers le condenseur à eau.
- 6 Ce ballon d'eau chaude sanitaire doit être entièrement purgé d'air pour éviter que les éléments de chauffage ne chauffent la carcasse du ballon sans eau.
- 7 Réalisez l'isolation thermique des tuyaux du système hydraulique pour éviter les risques de blessures accidentelles dues à une chaleur excessive de la surface des tuyauteries et limiter les pertes de chaleur.
- 8 Lorsque l'unité est débranchée durant les périodes d'arrêt et que la température ambiante est très basse, il est possible que l'eau dans les tuyauteries et la pompe de circulation gèle et endommage ces éléments. Afin d'empêcher ce phénomène, il vaut mieux vider l'eau du système durant les périodes d'arrêt.



i REMARQUE

Vérifiez régulièrement :

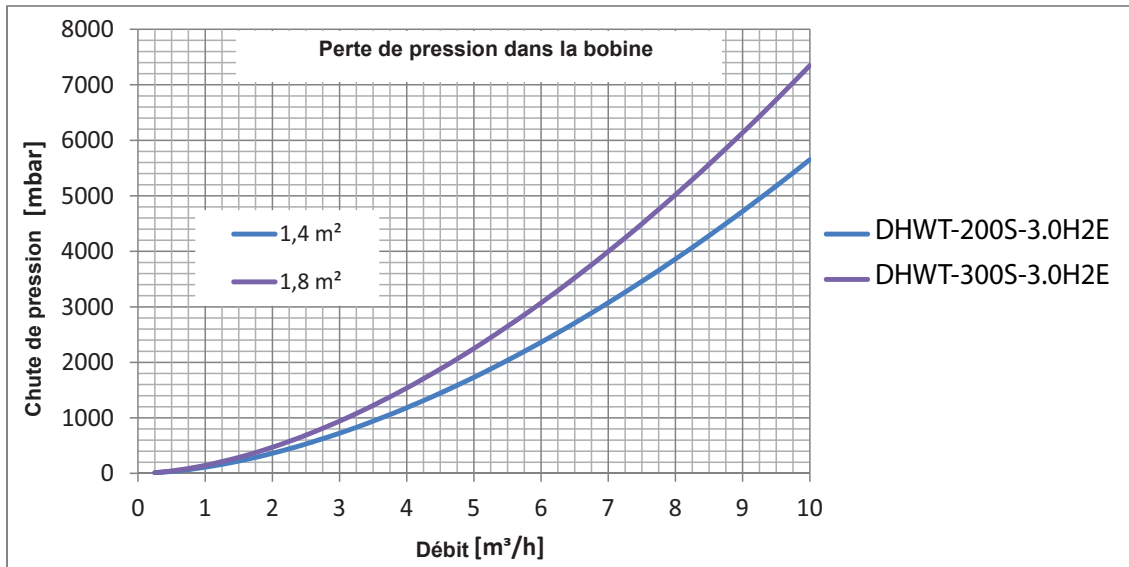
- Le débit et la pression d'eau
- Les fuites d'eau
- Le serrage des points de fixation

! ATTENTION

- Les tuyaux de raccordement d'entrée et de sortie doivent être de 1G".
- La direction du débit de l'eau indiquée sur le dessin précédent doit être conservée.

1	Unité de la vanne de sûreté sanitaire
2	Vanne de non-retour
3	Sortie de l'eau 2
4	Pompe de recirculation
5	Robinet d'arrêt
6	Évacuation
7	Purge (Air)
8	Serpentin de chauffage

8.1 CHUTES DE PRESSION



9 CÂBLAGE ÉLECTRIQUE

9.1 VÉRIFICATION GÉNÉRALE

- 1 Assurez-vous que les composants électriques fournis sur site (interrupteurs d'alimentation principale, disjoncteurs, câbles, connecteurs et cosses) ont été correctement choisis en fonction des spécifications électriques indiquées. Veillez à ce qu'ils soient conformes aux réglementations nationales et locales en vigueur.
- 2 La connexion électrique doit être réalisée par des installateurs professionnels.
- 3 Vérifiez que la source d'alimentation se situe dans une fourchette de +/-10 % de la tension nominale.
- 4 Assurez-vous que l'impédance de la source d'alimentation est suffisamment faible pour garantir de ne pas réduire la tension de démarrage supérieure à 85 % de la tension nominale.
- 5 Vérifiez que le câble de terre est parfaitement connecté, marqué et fixé, conformément aux réglementations nationales et locales en vigueur.
- 6 Connectez un fusible possédant la puissance spécifiée.
- 7 Vérifiez régulièrement le serrage du câblage électrique.

ATTENTION

- Vérifiez que les vis du bloc terminal sont bien serrées.
- Protégez les câbles, le tuyau d'évacuation et les composants électriques des rongeurs ou autres petits animaux. En l'absence de protection, ces rongeurs risqueraient d'endommager les parties non protégées, voire de provoquer un incendie.
- Enveloppez les fils avec la garniture d'étanchéité pour protéger le produit de la condensation d'eau et des insectes.
- Fixez solidement les câbles dans l'unité à l'aide du collier de serrage.
- Disposez les câbles en évitant tout contact avec les tuyauteries d'eau.
- Enveloppez les fils du contrôleur du système avec la garniture d'étanchéité.

DANGER

- Ne faites aucun réglage ni connexion si l'appareil n'est pas hors tension (interrupteur principal sur OFF).
- Lorsqu'il existe plus d'un interrupteur ON/OFF, procédez aux vérifications et tests nécessaires pour vous assurer qu'ils sont tous sur OFF.

9.2 DIMENSIONS DES CÂBLES

Dimensions minimales recommandées pour les câbles fournis sur site

Modèle	Alimentation électrique	Intensité maxi.	Dimensions du câble d'alimentation EH		Diamètre du câble du capteur
			EN60 335-1		EN60 335-1
Ballon d'ECS	1~ 230 V 50 Hz	15A	2,5mm ²		0,75mm ²

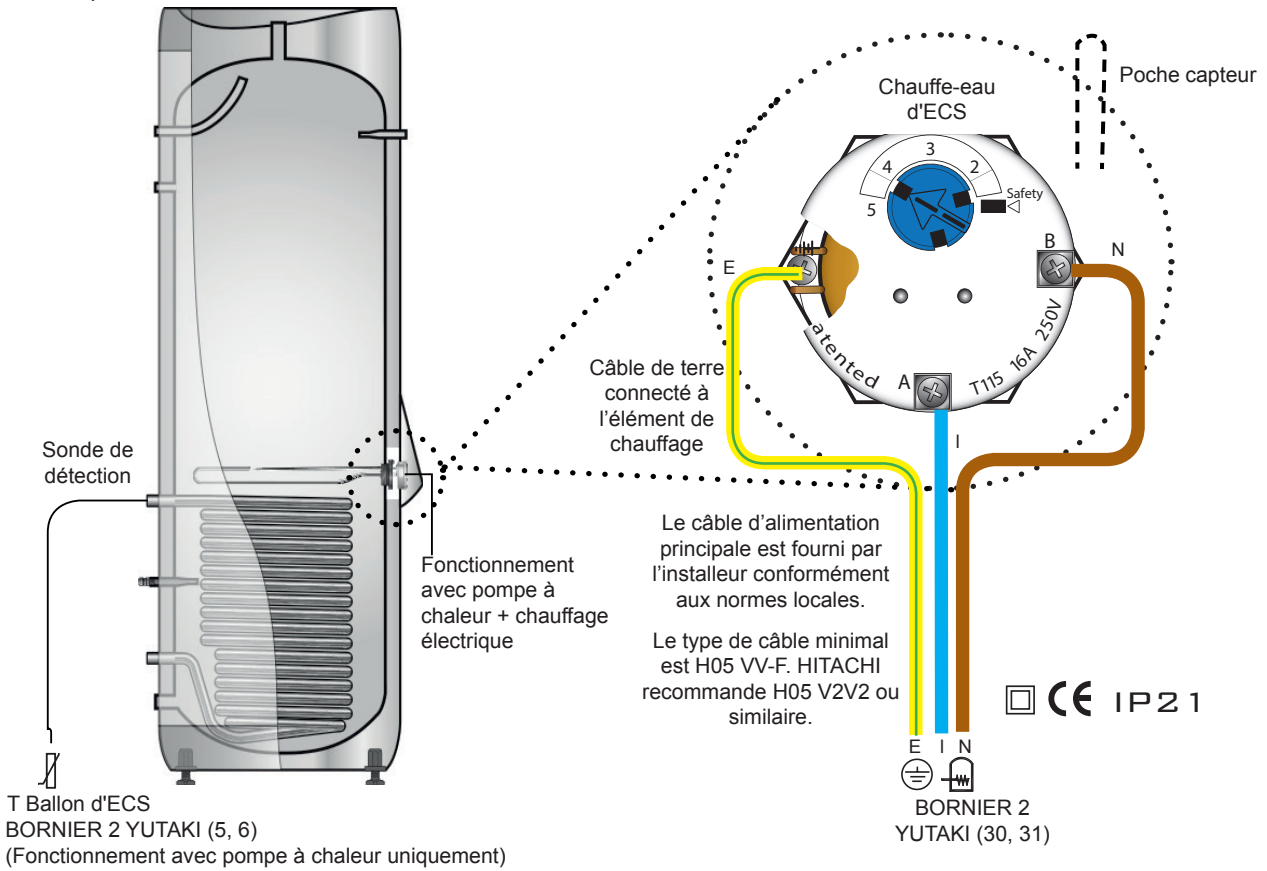
REMARQUE

- Lorsque vous choisissez les câbles fournis sur site, les disjoncteurs et les disjoncteurs de fuite à la terre, respectez les lois et réglementations locales.
- Les câbles utilisés ne doivent pas être plus légers que le câble souple ordinaire gainé de polychloroprène (code de désignation H05RN-F).

9.3 CONNEXION DU CÂBLAGE ÉLECTRIQUE

La connexion du câblage électrique entre le ballon d'ECS et le système YUKATI est la suivante :

Raccordement par le client :



FRANÇAIS

9.4 CÂBLAGE INTERNE



9.5 CHAUFFE-EAU ÉLECTRIQUE

Le chauffe-eau électrique est constitué d'un alliage Incoloy 825 et il est conforme à la directive européenne 2006/95/EC sur les basses tensions.

Il comprend une bride qui soutient trois éléments de chauffage en U pour des résistances électriques de 3,0 kW.

9.6 INSTALLATION ÉLECTRIQUE

9.6.1 Substitution du thermostat/élément.

Coupez l'alimentation et retirez le panneau électrique central. Coupez l'arrivée d'eau et purgez l'unité. Dévissez les câbles du thermostat et de l'élément.

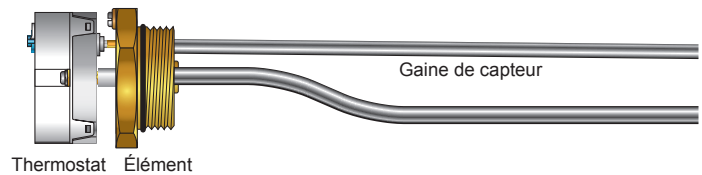
Si vous ne remplacez que le thermostat, il n'est pas nécessaire de dévisser le câble de l'élément. Retirez le thermostat en le dégageant des supports de fixation de l'élément.

Vous pouvez, si vous le souhaitez, retirer l'élément en utilisant un outil conçu à cette fin. Avant de fixer l'élément, assurez-vous que le joint torique de l'élément est en place et en bon état.

Remplissez entièrement l'unité, puis assurez-vous que l'élément ne présente aucun signe de fuites. Branchez le câble à l'élément. Installez le thermostat en poussant fermement. Branchez les câbles au thermostat.

Serrez convenablement les connexions de câbles. Veillez à les resserrer tous les 3 mois.

Avant de rétablir l'alimentation électrique, veuillez remettre en place le panneau électrique central et remplir d'eau l'unité.



9.7 MESURES DE SÉCURITÉ

- Avant toute intervention, débranchez entièrement le ballon d'ECS de l'alimentation principale. Tous les circuits de connexion doivent être débranchés.
- L'installation, la configuration, le démarrage et l'entretien des éléments de chauffage doivent être réalisés par un installateur électrique agréé. Toutes les normes et réglementations doivent être respectées.
- L'utilisateur est chargé de garantir le respect des principales exigences relatives à la directive européenne sur les basses tensions.
- Les éléments de chauffage électrique génèrent des températures élevées. Des précautions doivent être prises pour protéger les biens matériels et les personnes contre toute brûlure accidentelle au cours du fonctionnement et après avoir débranché ou installé le matériel.
- Section de câble minimale :
- Câbles recommandés avec les résistances de 3,0 kW : H05SJ-K conforme à UNE 21027 et section minimale de 2,5 mm².
- Les ballons doivent disposer d'un thermostat de contrôle de la température du ballon d'ECS et d'un thermostat à limiteur omnipolaire (la configuration de ces deux composants doit être compatible aux paramètres de conception des ballons de stockage).
- Nous recommandons l'installation des dispositifs de sécurité appropriés (dispositif de sécurité de température, niveau de sécurité des liquides de chauffage par convection naturelle, dispositif de sécurité du débit pour les liquides en circulation, etc.).

10 SOMMAIRE DES DISPOSITIFS DE SÉCURITÉ ET RÉGLAGE DES DISPOSITIFS DE CONTRÔLE

◆ Protection

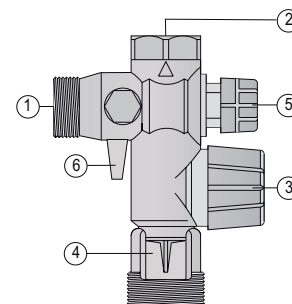
L'interrupteur arrête le fonctionnement du ballon d'ECS lorsque la température de l'eau du ballon dépasse 90°C.

Modèle	Unités	Ballon d'ECS
Thermostat		Réinitialisation manuelle
Interruption du courant	°C	90
Contacteurs		
Intensité	A	20 (CA1)
Tension	V	230V
Résistances chauffantes		
Alimentation électrique	kW	3,0
Tension	V	230V
Ø	mm	6,4
Résistances de tous les raccords coniques	"G	1-1/4"
Charge calorifique spécifique	W/cm ²	14,2
Matériau		INCOLOY 825
Câble des résistances		Ni-Cr 80/20 Ø 0,45 mm
Capteur du ballon d'ECS		NTC 20k

11 NORME GÉNÉRALE POUR L'INSTALLATION HYDRAULIQUE

- La vanne de sûreté sera montée sur l'installation de l'eau sanitaire.
- Un réducteur de pression doit être placé sur l'installation du ballon d'ECS. La pression nominale de l'unité de sécurité sera de 8 bars.
- Lorsque la pression principale est supérieure à 6 bars, un réducteur de pression doit être installé.
- Le refoulement d'eau pendant le chauffage (expansion) est normal. Le volume du refoulement peut atteindre jusqu'à 3 % de la capacité du réservoir de stockage.
- Le dispositif de régulation de la pression doit fonctionner régulièrement, en fonction de la qualité d'eau, afin de retirer les dépôts de calcaire et vérifier qu'il n'est pas bloqué.
- Une fuite d'eau sur le dispositif de protection de la pression peut exister. Le tuyau de refoulement doit toujours être ouvert à l'atmosphère, sans gèle et en pente continue vers le bas.
- Des bagues diélectriques doivent être montées sur les tuyauteries d'arrivée et de sortie d'eau sanitaire et aux raccords du circuit du ballon.
- Vidange du ballon d'ECS : Fermer la vanne d'arrivée d'eau principale et ouvrir la vanne de décharge du groupe d'eau de sécurité.

Réf.	Nom
①	Tuyau d'arrivée de l'eau principale
②	Raccordement d'arrivée d'eau chaude sanitaire
③	Vanne de sécurité et vidange manuelle
④	Raccord de vidange
⑤	Clapet anti-retour
⑥	Fermeture du détendeur



1 INFORMAZIONI GENERALI

Nessuna parte di questa pubblicazione può essere riprodotta, copiata, archiviata o trasmessa in nessuna forma o mezzo senza il consenso di HITACHI Air Conditioning Products Europe, S.A.U.

In una politica di miglioramento continuo della qualità dei propri prodotti, HITACHI Air Conditioning Products Europe, S.A.U. si riserva il diritto di apportare modifiche in qualsiasi momento, senza previa comunicazione e senza incorrere nell'obbligo di inserirle nei prodotti precedentemente venduti. Pertanto, il presente documento può aver subito modifiche durante la vita del prodotto.

HITACHI realizza tutti gli sforzi possibili per offrire una documentazione aggiornata e corretta. Nonostante ciò, gli errori di stampa sono al di fuori del controllo di HITACHI che pertanto non ne può essere considerata responsabile.

Di conseguenza, alcune delle immagini o dei dati utilizzati per illustrare questo documento possono non corrispondere ai modelli specifici. Non saranno accolti reclami basati su dati, immagini e descrizioni del presente manuale.

2 SICUREZZA

2.1 SIMBOLI UTILIZZATI

Durante gli abituali lavori di progettazione dei sistemi di pompa di calore o di installazione degli impianti, è necessario prestare molta attenzione ad alcune situazioni che richiedono particolare cautela, per evitare ferite e danni all'impianto, all'installazione o all'edificio o immobile.

Quando vi sono situazioni che possono compromettere la sicurezza delle persone che si trovano nelle vicinanze o mettere in pericolo l'impianto stesso, verranno chiaramente segnalate in questo manuale.

Per segnalare tali situazioni vengono utilizzati una serie di simboli speciali che le identificano in maniera chiara.

Prestare molta attenzione a questi simboli e ai messaggi che seguono, dato che da questi dipende la propria sicurezza e quella degli altri.

PERICOLO

- *I testi preceduti da questi simboli contengono informazioni e indicazioni strettamente legate alla sicurezza e all'integrità fisica.*
- *Non tenere in considerazione queste indicazioni può comportare lesioni gravi, molto gravi o mortali, sia per sé stessi che per le persone che si trovano nei pressi dell'unità.*

Nei testi preceduti dal simbolo di pericolo, si possono trovare anche informazioni su come installare in modo sicuro l'impianto.

AVVERTENZA

- *I testi preceduti da questi simboli contengono informazioni e indicazioni strettamente legate alla sicurezza e all'integrità fisica.*
- *Non tenere in considerazione queste indicazioni può comportare lesioni minori, sia per sé stessi che per le persone che si trovano nei pressi dell'impianto.*
- *Non tenere in considerazione indicazioni può comportare danni all'impianto.*

Nei testi preceduti dal simbolo di attenzione, si possono trovare anche informazioni su come installare in modo sicuro l'impianto.

NOTA

- *I testi preceduti da questo simbolo contengono informazioni o istruzioni che possono risultare utili o che meritano una spiegazione più estesa.*
- *Inoltre possono contenere istruzioni riguardo alle verifiche da effettuare sugli elementi o sui sistemi dell'impianto.*

2.2 INFORMAZIONI AGGIUNTIVE RELATIVE ALLA SICUREZZA

PERICOLO

- **NON COLLEGARE L'ALIMENTAZIONE ALL'UNITÀ INTERNA E AL SERBATOIO DELL'ACQ PRIMA DI AVER RIEMPIUTO D'ACQUA ENTRAMBI I CIRCUITI E DI AVER CONTROLLATO LA PRESSIONE DELL'ACQUA E L'ASSENZA TOTALE DI PERDITE D'ACQUA.**
- **Non versare acqua sui componenti elettrici. Se i componenti elettrici entrano in contatto con l'acqua, ciò provocherà una grave scossa elettrica.**
- **Non toccare né regolare i dispositivi di sicurezza all'interno della pompa di calore aria-acqua. Toccare o regolare tali dispositivi può causare gravi infortuni.**
- **In caso di incendio chiudere l'interruttore generale, spegnere subito l'incendio e contattare il centro di assistenza.**
- **È necessario accertarsi il serbatoio di acqua calda domestica non sia fatto funzionare accidentalmente senza acqua oppure in presenza di aria all'interno del sistema idraulico.**

AVVERTENZA

- *Non utilizzare spray come insetticidi, vernici, lacche per capelli o altri gas infiammabili a meno di un metro circa dall'impianto.*
- *Se l'interruttore di circuito dell'impianto o il fusibile dell'unità si attiva spesso, arrestare il sistema e contattare il centro di assistenza.*
- *Non effettuare operazioni di manutenzione o ispezione da soli. Questa attività deve essere eseguita da personale di assistenza qualificato.*
- *Questo dispositivo deve essere utilizzato unicamente da persone adulte competenti, alle quali siano state fornite informazioni tecniche o istruzioni atte a garantire un uso corretto e sicuro del dispositivo.*
- *Mantenere i bambini fuori dalla portata del dispositivo.*
- *Non lasciare corpi estranei nella linea di ingresso o uscita del serbatoio di acqua calda domestica.*

2.3 NOTA IMPORTANTE

- Le informazioni complete riguardo i prodotti acquistati sono forniti all'interno di un CD-ROM che può essere trovato insieme all'unità interna. Nel caso in cui il CD-ROM non fosse presente o leggibile, contattare il proprio distributore o rivenditore HITACHI.
 - LEGGERE ATTENTAMENTE IL PRESENTE MANUALE E I FILE CONTENUTI NEL CD-ROM PRIMA DI INIZIARE LE OPERAZIONI DI INSTALLAZIONE DEL SISTEMA DI POMPA DI CALORE ARIA-ACQUA. Il mancato rispetto delle istruzioni di installazione, d'uso e di esercizio descritte nel presente documento potrà provocare errori di funzionamento, inclusi guasti potenzialmente gravi, o perfino la distruzione del sistema di pompa di calore aria-acqua.
 - Questo manuale contiene informazioni relative al serbatoio di acqua calda domestica HITACHI. Il serbatoio di ACD HITACHI può essere collegato con le unità interne YUTAKI S, YUTAKI S80 di Tipo 1 o con le unità YUTAKI M. Si prega di fare riferimento al manuale di istruzioni (informazioni sul riscaldamento) o al CD-ROM fornito con l'unità per le informazioni complete del sistema.**
 - In base ai manuali forniti con l'unità interna ed esterna e con il serbatoio di acqua calda domestica, verificare di disporre di tutte le informazioni necessarie per l'installazione corretta del sistema. In caso contrario, contattare il proprio rivenditore.
 - HITACHI persegue una politica di miglioramento continuo per quanto riguarda la progettazione e le prestazioni dei propri prodotti. Il produttore si riserva pertanto la facoltà di apportare modifiche alle specifiche senza preavviso.
 - HITACHI non può prevedere tutte le possibili circostanze che potrebbero comportare un potenziale pericolo.
 - Nessuna parte del presente manuale può essere riprodotta senza un permesso scritto.
 - Per qualsiasi consulta, contattare il proprio centro di assistenza HITACHI.
 - Verificare ed accertarsi che le spiegazioni di ciascuna parte del presente manuale corrispondano al vostro modello di serbatoio di ACD.
 - Per una conferma delle caratteristiche principali del sistema in possesso, consultare la codificazione dei modelli.
 - Le parole di segnalazione (NOTA, PERICOLO e AVVERTENZA) vengono utilizzate per identificare i livelli di gravità dei pericoli. Le definizioni per l'identificazione dei livelli di rischio sono contenute nelle pagine iniziali del presente documento.
 - Le modalità di funzionamento di queste unità sono controllate dal dispositivo di controllo dell'unità.
 - Questo manuale deve essere considerato parte integrante del sistema. Fornisce la descrizione e le informazioni necessarie al funzionamento del sistema e di altri modelli.
 - Mantenere la temperatura dell'acqua del sistema al di sopra della temperatura di congelamento.
- | | Min. | Max. |
|--|--------------------|------|
| Temperatura di funzionamento del serbatoio | Senza congelamento | 75°C |
- Questo manuale deve essere considerato parte integrante del serbatoio di ACD. Questo manuale fornisce la descrizione e le informazioni necessarie per il funzionamento del serbatoio di ACD.
 - Sul circuito secondario (circuito dell'acqua domestica) deve essere installata una valvola limitatrice di pressione e temperatura (impostazione pressione 7 bar; impostazione temperatura 90°C).
 - Il tubo di evacuazione della valvola di sicurezza deve condurre a un punto di drenaggio ma non deve essere collegato direttamente ad esso.
 - Sul circuito primario (circuito d'acqua per il riscaldamento) deve essere installata una valvola di sicurezza impostata a 3 bar al massimo. Una volta che il serbatoio è stato installato, riempire e pressurizzare per primo il circuito secondario (acqua domestica).
 - Dopo aver eseguito il punto 4, riempire il circuito primario.
 - Se il tubo principale non è di acciaio inossidabile, installare sui collegamenti del circuito secondario delle boccole dielettriche.
 - Se la pressione di ingresso dell'acqua fredda è superiore alla pressione di progettazione dell'impianto, è necessario installare un riduttore di pressione con un valore di impostazione inferiore alla pressione di progettazione.
 - Per evitare la perdita di calore attraverso il tubo dell'acqua calda in sistemi di accumulo con tariffa notturna, è necessario installare un sifone isolato termicamente all'uscita del serbatoio. Il tubo dell'acqua calda deve essere isolato (almeno fino al sifone isolato termicamente).
 - Bisogna evitare l'uso di circuiti di ritorno in rame.
 - L'installazione è soggetta alle norme condominiali, bisogna quindi notificare l'intenzione di installare il dispositivo alle autorità locali.
 - Si prega di lasciare il manuale al padrone di casa dopo l'installazione.
 - I collegamenti cilindrici delle valvole limitatrici non devono essere usati per altri scopi.
 - Estrarre l'acqua tramite sifone dal circuito secondario (istruzioni):
 - Isolare il serbatoio dalla pressione della rete, ad esempio tramite una la valvola di ritegno nell'ingresso dell'acqua fredda.
 - Aprire la valvola limitatrice del serbatoio.
 - Il serbatoio di acqua calda sanitaria viene svuotato grazie all'effetto del sifone, attraverso il tubo di scarico della valvola limitatrice installata nel tubo di ingresso dell'acqua fredda, nella parte inferiore del serbatoio.

3 INSTALLAZIONE

3.1 GUIDA DEI PRODOTTI

Tipo di unità: Serbatoio di acqua calda domestica								
Capacità (L) 200-300 litri								
S= Inossidabile								
Trattino separatore di posizione (fisso)								
3,0 kW								
Riscaldatore elettrico								
Serie								
E = Prodotta in Europa								
DHWT	XXX	S	-	3,0	H	2	E	

3.2 NOTE GENERALI

3.2.1 Componenti al ricevimento



DHWT-(200/300)S-3.0H2E è un riscaldatore di acqua indiretto in acciaio inossidabile. Il prodotto è stato progettato per il riscaldamento di acqua calda domestica da una fonte di calore esterna come ad esempio una pompa di calore.

Scartare il prodotto con attenzione per evitare di danneggiarlo. Installare il prodotto su una superficie piana progettata per reggere tutto il peso del prodotto quando è pieno d'acqua. Regolare i piedini regolabili montati in fabbrica in base alle esigenze. Il prodotto deve essere installato in una posizione orizzontale, parallela al terreno. La posa dei tubi e i collegamenti elettrici devono essere eseguiti da installatori autorizzati.

Prima di riempire d'acqua l'unità, si raccomanda di inserire il cavo di alimentazione elettrica, vedere ["9.5 Riscaldatore elettrico"](#).

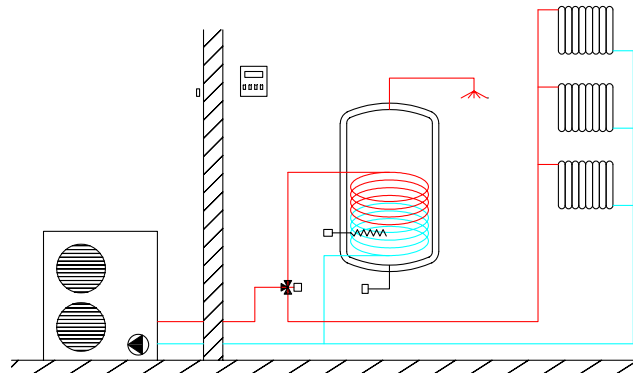
Sui pavimenti inclinati l'apparecchio deve essere installato in una posizione verticale, parallela al terreno, regolando i piedini incorporati. Le unità devono essere fissate saldamente alla parete.

Questo apparecchio è destinato ad essere collegato in modo permanente alla fornitura di acqua principale.

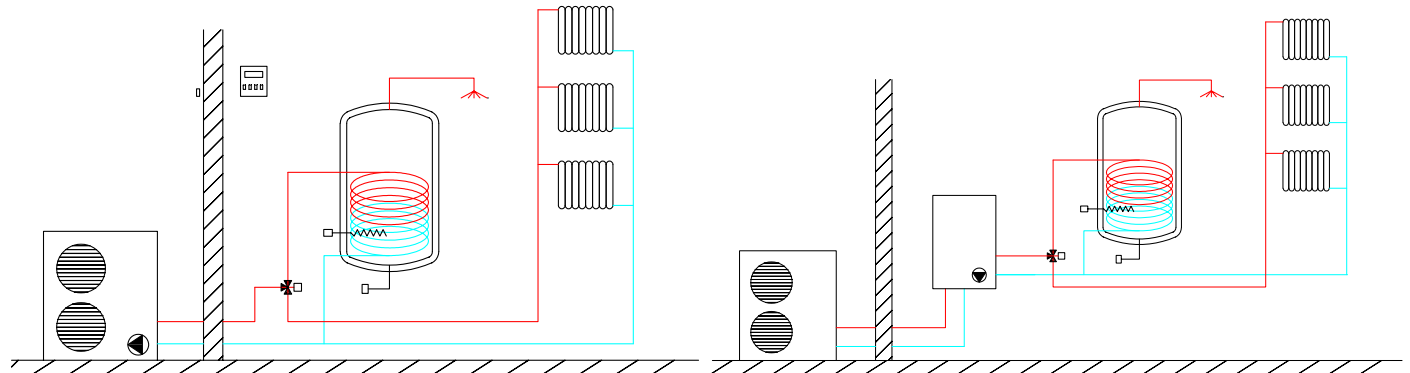
Per questo prodotto è consentita una sola valvola di sicurezza approvata da NBI 06870/387.

3.3 ESEMPI DI INSTALLAZIONE

◆ Installazioni di riscaldamento YUTAKI M



◆ Installazioni di riscaldamento YUTAKI S e S80



i NOTA

Per ulteriori informazioni, fare riferimento al Manuale di Installazione dei sistemi Yutaki.

4 RISOLUZIONE DEI PROBLEMI MINORI

! AVVERTENZA

- In caso di perdite d'acqua, arrestare il funzionamento e contattare il proprio centro di assistenza.
- Se si avverte o si nota la presenza di fumo bianco che fuoriesce dal serbatoio di ACD, arrestare il sistema e contattare il centro di assistenza.

◆ MANCATO FUNZIONAMENTO

- Verificare che la temperatura di impostazione del sistema YUTAKI sia impostata sul valore corretto.
- Verificare il collegamento elettrico tra l'unità e il serbatoio di ACD (funzionamento del fusibile o dell'interruttore di circuito).
- Verificare la temperatura dell'acqua e la possibile attivazione della chiusura del termostato (se supera i 90°C > chiusura del termostato).
- Controllare la pressione e il flusso dell'acqua (valore minimo: 0,1 MPa).
- Verificare che il termostato manuale del serbatoio di ACD sia impostato sul massimo setpoint dell'acqua dal dispositivo di controllo del sistema YUTAKI (verificare setpoint dell'acqua con anti-legionella)

◆ RISCALDAMENTO INSUFFICIENTE

- Verificare se il flusso d'acqua all'interno del circuito dell'acqua è ostruito.
- Verificare se i valori della pressione dell'acqua non rientrano nell'intervallo operativo.
- Verificare il collegamento elettrico tra il sistema di controllo e il serbatoio di ACD.
- In caso di mancato funzionamento, il riscaldatore deve essere sottoposto a verifica.

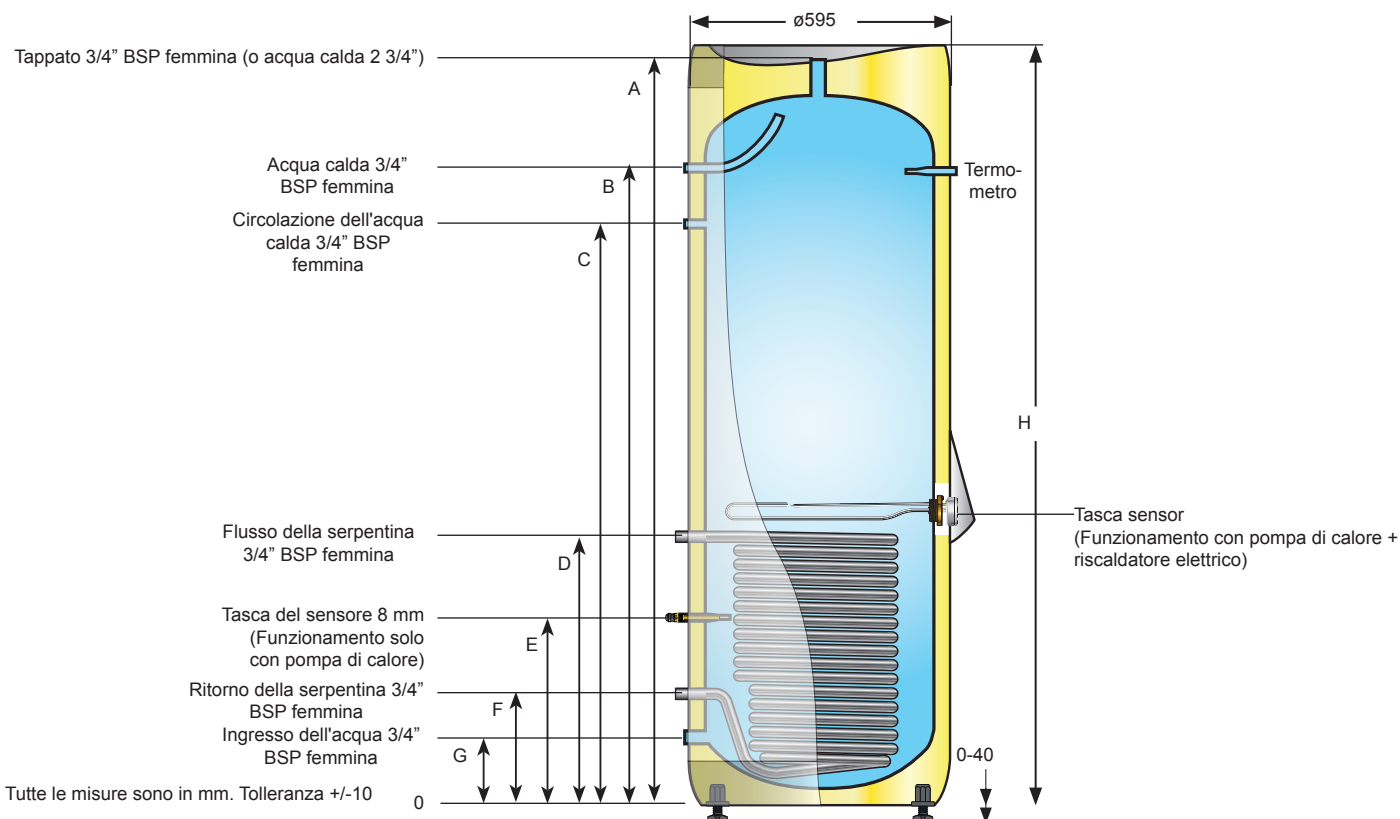
◆ SE IL PROBLEMA PERSISTE...

Se il guasto persiste anche dopo aver effettuato i controlli indicati, rivolgersi al proprio centro di assistenza e comunicare i seguenti dati:

- Nome del modello dell'unità
- Descrizione del problema

5 DISEGNI DIMENSIONALI

5.1 DHWT(200/300)S-3.0H2E

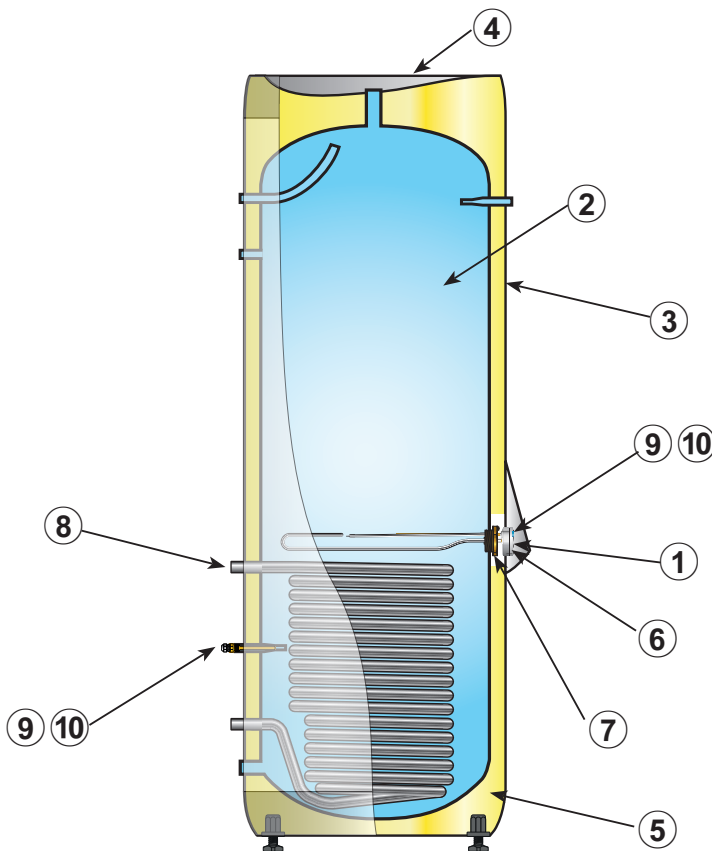


Codice	Modello	Capacità persone	Peso (kg)	Volume trasporto (m ³)	Tempo di riscaldamento Ore Δt 65°C	Volume (L)	Dispersione di calore (W)	Classe ErP
70544002	DHWT-200S-3.0H2E - 3kW/ 1x230V + serpentina 1,4m ²	3,0	53	0,46	VP \leq 10kW	194	47,3	B
70544003	DHWT-300S-3.0H2E - 3kW/ 1x230V + serpentina 1,8m ²	5,0	63	0,62	VP \leq 12kW	284	62,8	B

Dimensioni	DHWT-200S-3.0H2E	DHWT-300S-3.0H2E
A	1265	1745
B	977	1457
C	842	1322
D	677	867
E	482	594
F	267	267
G	156	156
Diametro x Altezza mm.	\varnothing 595x1270	\varnothing 595x1750

6 NOME DEI COMPONENTI

6.1 DHWT(200/300)S-3.0H2E



Rif.	Qtà.	Nome
①	1	Apertura per ispezione
②	1	Serbatoio di accumulo HSW
③	1	Rivestimento esterno
④	1	Coperchio superiore
⑤	1	Isolante termico
⑥	1	Pannello di controllo
⑦	1	Riscaldatore elettrico
⑧	1	Serpentina di riscaldamento
⑨	1	Sonde del sensore
⑩	1	Sensore del serbatoio di ACD

7 INSTALLAZIONE DELL'UNITÀ

Si consiglia di lasciare l'apparecchio nell'imballaggio originale il più vicino possibile alla posizione nella quale deve essere montato.

Controllare gli elementi contenuti nella confezione:

- Modello di serbatoio di acqua calda domestica
- Manuale d'installazione e d'uso e documentazione

7.1 PROCEDURA DI SELEZIONE PER I SERBATOI DI ACD

⚠ AVVERTENZA

- Il serbatoio di ACD deve essere installato al chiuso.
- L'installazione deve essere eseguita da personale specializzato.
- Installare il serbatoio di acqua calda domestica avendo cura di lasciare tutto intorno spazio sufficiente per l'installazione e la manutenzione, come illustrato nelle figure riportate di seguito.
- Installare il serbatoio di ACD in un'area sufficientemente ventilata. Non installare il serbatoio di acqua calda domestica in aree in cui si rilevano alti livelli di vapori d'olio, di aria salmastra o solforosa.
- Una ventilazione insufficiente in spazi ristretti può provocare carenze di ossigeno. È possibile che si producano gas tossici a causa del riscaldamento del detergente, ad esempio, a causa dell'esposizione alle fiamme.
- Non installare il serbatoio di acqua calda domestica in prossimità di sostanze infiammabili.
- Se si installano altri dispositivi vicino al serbatoio di acqua calda domestica, è necessario mantenere una distanza di oltre 500mm tra quest'ultimo e gli eventuali ostacoli.

7.2 SPAZIO PER LA MANUTENZIONE

- Verificare che il serbatoio di acqua calda domestica sia stato installato nella posizione verticale.
- Per la pulizia, utilizzare liquidi detergenti non infiammabili e atossici. L'uso di agenti infiammabili può provocare esplosioni o incendi.
- Dopo la pulizia, i liquidi detergenti devono essere raccolti.
- Quando si richiude il coperchio del quadro elettrico, si deve prestare la massima attenzione per evitare che i cavi vi rimangano accidentalmente impigliati. Tale eventualità potrebbe provocare forti scosse elettriche.

7.3 GARANZIA SUL CONTROLLO DELL'ACQUA SOMMINISTRATA

L'acqua di pozzo o di fiume nella maggior parte dei casi contiene sostanze solide in sospensione, sostanze organiche o scaglie in grande quantità. Per questo motivo prima di essere usata, quest'acqua deve essere sottoposta a un processo di filtraggio o a un trattamento per ridurne la durezza attraverso prodotti chimici.

È anche necessario analizzare la qualità dell'acqua, verificandone il pH, la conduttività elettrica e altre proprietà. I valori standard di qualità dell'acqua raccomandati sono i seguenti:

Elemento	Acqua di alimentazione del serbatoio di ACD
Ione di cloro (mg Cl ⁻ /l)	Inferiore a 150
Conduttività elettrica (µs/cm)	100~2000
Durezza totale (mg CaCO ₃ /l)	60~150
Solfato (mg/l)	max 250

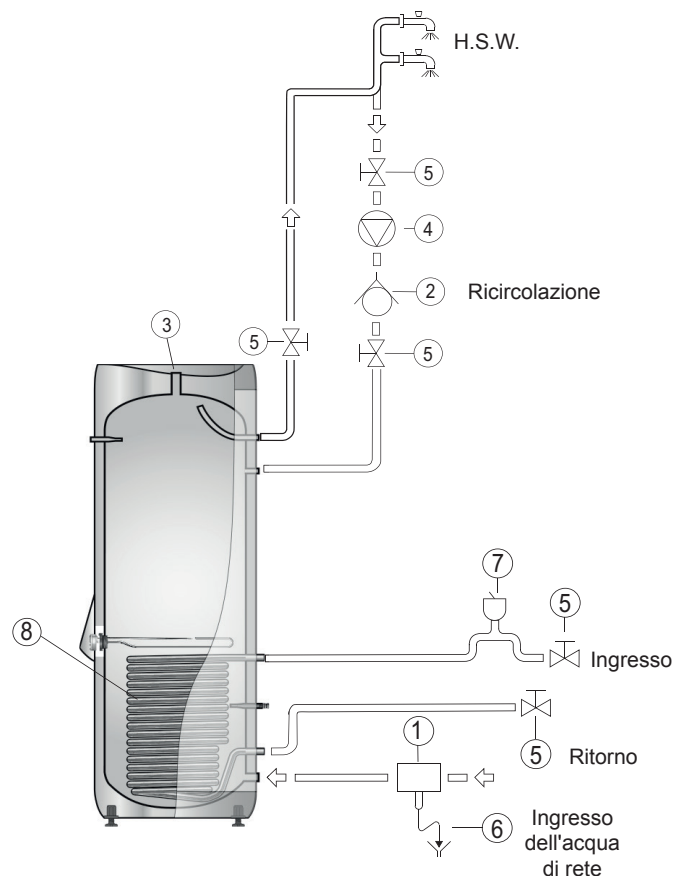
i NOTA

La qualità dell'acqua sarà conforme alla norma UNE 112076:2004 IN.

8 CIRCUITO IDRAULICO

Durante il collegamento della linea:

- 1 Avvicinare il più possibile i tubi all'unità per facilitare le operazioni di scollegamento in caso di necessità.
- 2 È consigliabile utilizzare giunti elastici per la linea tra l'ingresso e l'uscita dell'acqua per non trasmettere vibrazioni.
- 3 Dove possibile, installare valvole a saracinesca nella linea dell'acqua per ridurre al minimo la resistenza al flusso e mantenere un flusso d'acqua sufficiente.
- 4 Si consiglia di installare valvole a sfera in entrambe le connessioni del tubo dell'acqua, al fine di agevolare gli interventi di manutenzione.
- 5 Controllare che all'interno e all'esterno del sistema non si verifichino perdite, aprendo completamente le valvole d'ingresso e di scarico dell'acqua calda dal condensatore d'acqua.
- 6 Il serbatoio dell'ACD deve essere completamente privo di aria per evitare l'esposizione della custodia del serbatoio agli elementi di riscaldamento in assenza di acqua.
- 7 Rivestire con isolante termico i tubi del sistema idraulico per evitare sia i danni che potrebbero essere causati dall'eccessivo riscaldamento delle superfici della linea, sia eventuali perdite di calore.
- 8 Durante i periodi di inattività, in condizioni di temperature particolarmente basse, il congelamento dell'acqua potrebbe provocare danni alla pompa o alle tubazioni. Per prevenire questo rischio, è necessario svuotare i circuiti dall'acqua.



i NOTA

Controllare periodicamente:

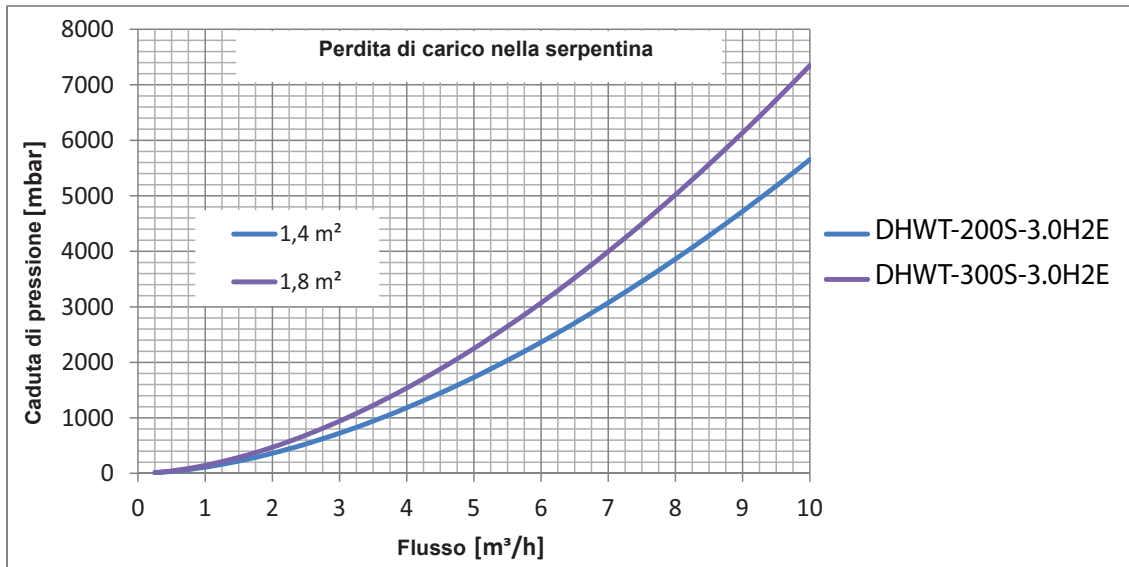
- Flusso e pressione dell'acqua
- Perdita d'acqua
- Tenuta dei punti di fissaggio

! AVVERTENZA

- I tubi di collegamento d'ingresso e uscita devono essere 1G".
- La direzione del flusso d'acqua deve quella indicata nell'illustrazione precedente.

1	Valvola di sicurezza serbatoio sanitario
2	Valvola di non ritorno
3	Uscita dell'acqua 2
4	Pompa di ricircolazione
5	Rubinetto di intercettazione
6	Drenaggio
7	Spurgo (aria)
8	Serpentina di riscaldamento

8.1 CALO DI PRESSIONE



9 COLLEGAMENTO DELLO SCHEMA ELETTRICO

9.1 CONTROLLO GENERALE

- 1 Accertarsi che i componenti elettrici non in dotazione (comutatori, interruttori, cavi, connettori e morsetti) siano stati scelti accuratamente tenendo presente quanto precisato nei dati elettrici indicati. Accertarsi che siano conformi alla normativa elettrica nazionale e regionale in vigore.
- 2 Il collegamento elettrico deve essere eseguito da personale specializzato.
- 3 Controllare che l'alimentazione elettrica rientri nell'intervallo +/-10% della tensione nominale.
- 4 Assicurarsi che l'alimentazione elettrica abbia un'impedenza sufficientemente bassa da garantire che la tensione iniziale non scenda mai oltre l'85% della tensione nominale.
- 5 Verificare che il cavo di terra sia stato collegato correttamente e che sia stato bloccato ed etichettato in conformità alla normativa nazionale e locale in vigore.
- 6 Inserire un fusibile della portata indicata.
- 7 Controllare periodicamente la tenuta dei collegamenti elettrici.

⚠ AVVERTENZA

- Verificare che le viti per il blocco dei morsetti siano serrate con forza.
- Proteggere cavi, linea di drenaggio, componenti elettrici da roditori e da altri animali di piccola taglia. In caso contrario, questi potrebbero danneggiare cavi e parti non protette provocando, nel peggiore dei casi, degli incendi.
- Avvolgere i cavi con del nastro per evitare l'ingresso di acqua condensata o di insetti.
- Assicurare i cavi nell'unità con le apposite fascette fermacavi.
- I cavi devono essere condotti in modo da evitare qualsiasi contatto con la linea dell'acqua.
- Proteggere con el nastro i cavi del dispositivo di controllo del sistema.

⚠ PERICOLO

- Non collegare né regolare cavi o collegamenti se non dopo aver scollegato l'alimentazione generale.
- Se sono predisposti interruttori per l'accensione/spegnimento, accertarsi che siano tutti spenti.

9.2 DIMENSIONI DEI CAVI

Dimensioni minime consigliate per i cavi forniti

Modello	Alimentazione elettrica	Corrente max	Dimensioni del cavo di alimentazione del riscaldatore elettrico	Dimensioni del cavo del sensore
			EN60 335-1	EN60 335-1
Serbatoio di ACD	1~ 230V 50Hz	15A	2,5 mm ²	0,75mm ²

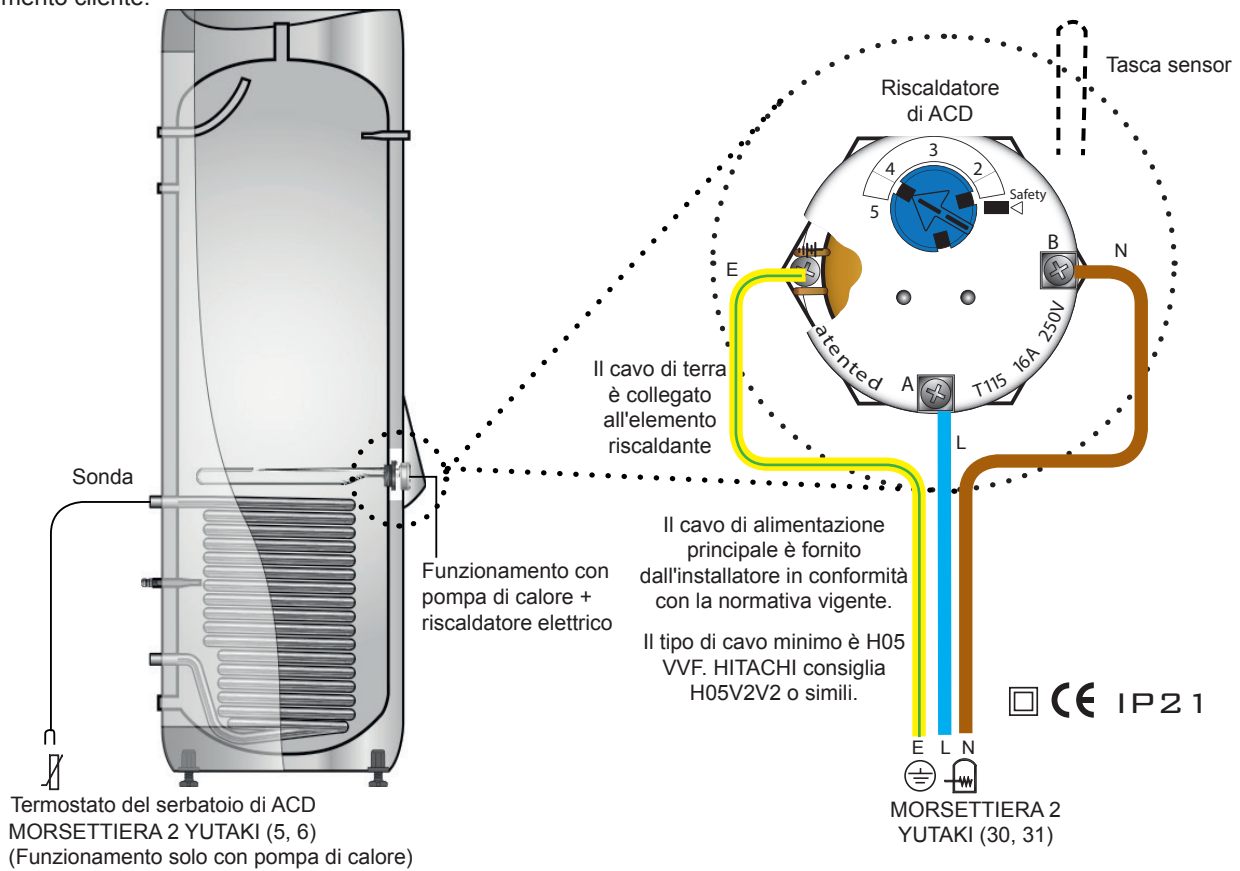
i NOTA

- Osservare la normativa locale vigente per la scelta dei cavi non in dotazione, per gli interruttori di circuito e gli interruttori differenziali.
- Utilizzare cavi che non siano più leggeri dei cavi flessibili ordinari con rivestimento in policloroprene (designazione con codice H05RN-F).

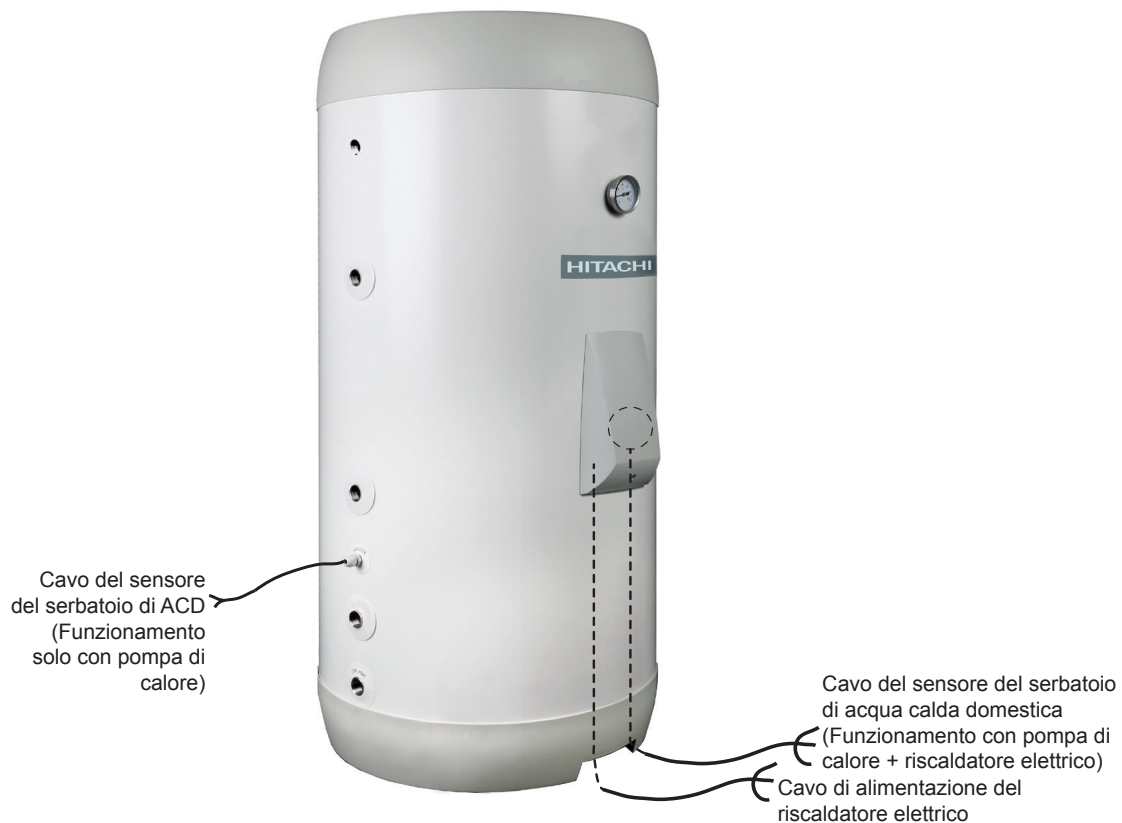
9.3 COLLEGAMENTI DELLO SCHEMA ELETTRICO

Il collegamento del cablaggio elettrico tra il serbatoio di acqua calda domestica e il sistema Yutaki è il seguente:

Collegamento cliente:



9.4 CABLAGGIO INTERNO



9.5 RISCALDATORE ELETTRICO

Il riscaldatore elettrico è costituito da una lega di incoloy 825 ed è conforme alla Direttiva Europea sul Basso Voltaggio 2006/95/EC. Include una flangia che regge tre elementi di riscaldamento a forma di U per resistenze elettriche di 3,0kw.

9.6 INSTALLAZIONE ELETTRICA

9.6.1 Sostituire il termostato/l'elemento

Spegnere l'alimentazione e rimuovere il coperchio elettrico centrale. Spegnere la fornitura di acqua ed effettuare il drenaggio dell'unità. Svitare i cavi del termostato e dell'elemento.

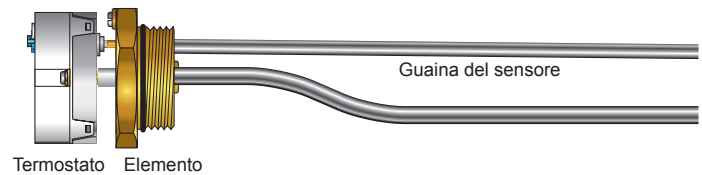
Se si sostituisce solo il termostato, si può lasciare il cavo dell'elemento. Il termostato viene rimosso estraendolo dalle sue prese sull'elemento.

L'elemento può essere rimosso/sostituito utilizzando un attrezzo adatto. Assicurarsi che vi sia la guarnizione ad anello sull'elemento e che non sia danneggiata prima di montare l'elemento.

Riempire d'acqua completamente l'unità e accertarsi che l'elemento non perda. Installare il cavo nell'elemento. Installare il termostato premendo con fermezza. Installare i cavi elettrici nel termostato.

Stringere bene tutti i collegamenti dei cavi. Stringerli di nuovo dopo 3 mesi.

Prima di accendere l'alimentazione, il coperchio elettrico centrale deve essere nuovamente installato e l'unità deve essere riempita con acqua.



9.7 MISURE DI SICUREZZA

- Prima di qualsiasi intervento, scollegare completamente il serbatoio dell'acqua calda domestica dall'alimentazione elettrica principale. Tutti i circuiti di collegamento dovranno essere scollegati.
- L'installazione, la configurazione, l'avvio e la manutenzione degli elementi del riscaldamento dovranno essere effettuati da un elettricista autorizzato. Osservare tutti gli standard e le normative di applicazione.
- L'utente è responsabile di garantire il rispetto dei requisiti essenziali della Direttiva Europea sul Basso Voltaggio.
- Gli elementi elettrici del riscaldamento generano alte temperature. È necessario adottare misure di sicurezza al fine di proteggere oggetti e persone da possibili bruciature durante il funzionamento e in seguito allo scollegamento o all'installazione dell'apparato.
- Sezione minima del cavo:
- Cavo consigliato con resistenze di 3,0kW: H05SJ-K conforme alla UNE 21027, con una sezione minima di 2,5mm².
- I serbatoi dovranno essere dotati di un termostato di controllo della temperatura del serbatoio ACD e di un termostato limitatore a più poli (la configurazione di questi due elementi dovrà essere compatibile con i parametri di progettazione dei serbatoi di accumulo).
- Si consiglia di installare appositi dispositivi di sicurezza (dispositivo di sicurezza della temperatura, livello di sicurezza dei liquidi di riscaldamento mediante convezione naturale, dispositivo di sicurezza del flusso per liquidi in circolazione, ecc.).

10 PRECAUZIONI PER LA SICUREZZA E IMPOSTAZIONI DEL DISPOSITIVO DI CONTROLLO

◆ Protezione

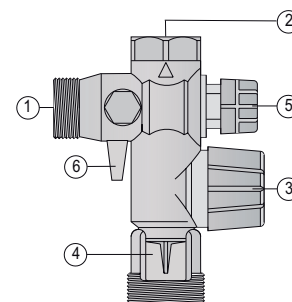
Questo interruttore interrompe il funzionamento del serbatoio di ACD quando la temperatura dell'acqua all'interno del serbatoio supera i 90°C.

Modello	Unità	Serbatoio di ACD
Termostato		Reset manuale
Chiusura	°C	90
Contattori		
Corrente	A	20 (CA1)
Tensione	V	230V
Resistenze riscaldamento		
Alimentazione elettrica	kW	3,0
Tensione	V	230V
Ø	mm	6,4
Attacco a cartella per fissaggio resistenze	"G	1-1/4"
Carico termico specifico	W/cm ²	14,2
Materiale		INCOLOY 825
Filo della resistenza		Ni-Cr 80/20 Ø 0,45mm
Sensore del serbatoio di ACD		NTC 20k

11 STANDARD GENERALI PER L'INSTALLAZIONE IDRAULICA

- La valvola di sicurezza sarà adattata all'impianto dell'acqua domestica.
- Sarà necessario collocare un riduttore di pressione nell'impianto dell'acqua calda domestica. La pressione nominale dell'unità di sicurezza sarà di 8 bar.
- Nel caso in cui la pressione principale fosse superiore a 6 bar, sarà necessario installare un riduttore.
- Lo scarico dell'acqua durante il riscaldamento (espansione) è normale. Il volume di questo scarico può raggiungere il 3% della capacità del serbatoio di accumulo.
- Il regolatore di pressione dovrà funzionare regolarmente, in base alla qualità dell'acqua, al fine di rimuovere i depositi di calcare e di verificare che non siano presenti blocchi.
- Può verificarsi una perdita di pressione nel dispositivo di protezione della pressione. La linea di scarico dovrà essere sempre aperta verso l'atmosfera, priva di ghiaccio e in ogni momento pendente verso il basso.
- Sarà necessario adattare le boccole dielettriche all'acqua domestica di ingresso e di uscita ed ai collegamenti del circuito del serbatoio.
- Svuotamento del serbatoio dell'acqua calda domestica:
Chudere la valvola principale dell'acqua di ingresso e aprire la valvola limitatrice del gruppo di sicurezza dell'acqua.

Rif.	Nome
①	Ingresso principale dell'acqua
②	Collegamento di ingresso del serbatoio di ACD
③	Valvole di sicurezza e manuale vuote
④	Svuotamento del collegamento
⑤	Valvola di ritegno
⑥	Valvola di chiusura



1 INFORMAÇÃO GERAL

Nenhuma parte desta publicação poderá ser reproduzida, copiada, arquivada ou transmitida sob forma alguma sem a autorização da HITACHI Air Conditioning Products Europe, S.A.U.

No âmbito da sua política de melhoramento contínuo dos produtos, a HITACHI Air Conditioning Products Europe, S.A.U. reserva-se o direito de fazer alterações em qualquer momento sem aviso prévio e sem a obrigatoriedade de as introduzir nos produtos vendidos posteriormente. Deste modo, este documento pode ter sido submetido a revisões durante a vida útil do produto.

A HITACHI empreende todos os esforços para oferecer documentação correta e atualizada. Não obstante, os erros impressos não podem ser controlados pela HITACHI e não são da sua responsabilidade.

Por conseguinte, algumas das imagens ou dados usados para ilustrar este documento podem não se referir a modelos específicos. Não serão aceites reclamações com base em dados, ilustrações e descrições incluídas neste manual.

2 SEGURANÇA

2.1 SIMBOLOGIA APLICADA

Durante os trabalhos normais de desenho dos sistemas de bomba de calor ou de instalação de equipamentos, é necessário prestar uma maior atenção em determinadas situações que requerem uma abordagem especialmente cuidadosa para evitar danos no equipamento, na instalação ou no edifício ou imóvel.

As situações que podem comprometer a integridade das pessoas nas imediações ou pôr em perigo o próprio equipamento serão indicadas claramente neste manual.

Estas situações são assinaladas por uma série de símbolos especiais que as identificam claramente.

Preste muita atenção a estes símbolos e às mensagens subsequentes, pois disso depende a sua segurança e a de terceiros.

PERIGO

- *Os textos precedidos deste símbolo contêm informações e indicações relacionadas diretamente com a sua segurança e integridade física.*
- *Se as referidas indicações não forem tidas em conta, podem ocorrer ferimentos graves, muito graves ou mortais, tanto no utilizador, como em terceiros que se encontrem nas proximidades do equipamento.*

Nos textos precedidos do símbolo de Perigo também pode encontrar informação sobre os procedimentos seguros a adotar durante a instalação do equipamento.

CUIDADO

- *Os textos precedidos deste símbolo contêm informações e indicações relacionadas diretamente com a sua segurança e integridade física.*
- *Se as referidas indicações não forem tidas em conta, podem ocorrer ferimentos de menor gravidade, tanto no utilizador, como em terceiros que se encontrem nas proximidades do equipamento.*
- *Não ter em conta estas indicações pode provocar danos na unidade.*

Nos textos precedidos do símbolo de Cuidado também pode encontrar informação sobre os procedimentos seguros a adotar durante a instalação da unidade.

NOTA

- *Os textos precedidos deste símbolo contêm informações ou indicações que podem ser úteis ou que merecem uma explicação mais detalhada.*
- *Também podem incluir indicações sobre verificações que devem ser efetuadas em elementos ou sistemas do equipamento.*

2.2 INFORMAÇÃO ADICIONAL RELATIVA À SEGURANÇA

PERIGO

- **NÃO LIGUE A FONTE DE ALIMENTAÇÃO À UNIDADE INTERIOR E AO DEPÓSITO DE ÁGUA QUENTE SANITÁRIA (DHW) ANTES DE ENCHER AMBOS OS CIRCUITOS E DE COMPROVAR A PRESSÃO DA ÁGUA E A AUSÊNCIA TOTAL DE FUGAS.**
- **Não deite água sobre as peças elétricas. Se os componentes elétricos estiverem em contacto com a água, ocorrerá um grave choque elétrico.**
- **Não toque nem faça ajustes nos dispositivos de segurança no interior da bomba de calor de ar para água. Se tocar ou ajustar estes dispositivos, pode ocorrer um acidente grave.**
- **Em caso de incêndio, desligue o interruptor principal, apague imediatamente o incêndio e entre em contacto com o seu prestador de assistência técnica.**
- **Deve garantir que o depósito de água quente sanitária não funciona acidentalmente sem água nem com ar no sistema hidráulico.**

CUIDADO

- *Não utilize quaisquer pulverizadores como inseticida, tinta, laca de cabelo ou de outros gases inflamáveis a menos de aproximadamente 1 m do sistema.*
- *Se o disjuntor da instalação ou o fusível da unidade se ativarem com frequência, pare o sistema e contacte o seu prestador de serviços.*
- *Não efetue você mesmo quaisquer tarefas de manutenção ou inspeção. Este trabalho deve ser efetuado por pessoal qualificado.*
- *O equipamento deve ser utilizado unicamente por adultos e pessoas qualificadas que tenham recebido as informações ou as instruções técnicas para o manuseio de forma adequada e segura.*
- *As crianças devem ser vigiadas para garantir que não tocam no equipamento.*
- *Não deixe entrar quaisquer materiais estranhos na tubagem de entrada e saída de água do depósito de água quente sanitária.*

2.3 NOTA IMPORTANTE

- A informação suplementar sobre os produtos adquiridos é providenciada num CD-ROM, fornecido juntamente com a unidade interior. Contacte o seu distribuidor ou revendedor HITACHI, caso o CD-ROM esteja em falta ou seja ilegível.
- LEIA ATENTAMENTE O MANUAL E OS FICHEIROS NO CD-ROM ANTES DE INICIAR A INSTALAÇÃO DO SISTEMA DE BOMBA DE CALOR DE AR PARA ÁGUA. A inobservância das instruções de instalação, utilização e funcionamento descritas neste documento pode resultar em anomalias no funcionamento, incluindo avarias potencialmente graves, ou mesmo na destruição do sistema de bomba de calor de ar para água.
- **Este documento contém a informação relativa ao depósito de água quente sanitária da HITACHI. O depósito de água quente sanitária HITACHI deve ser conectado exclusivamente a uma unidade interior YUTAKI S, YUTAKI S80 do TIPO 1 ou YUTAKI M. Consulte o manual de instruções (informação de aquecimento) ou o CD-ROM fornecido com a unidade para obter informação completa sobre o sistema.**
- Comprove, de acordo com os manuais da unidade exterior e interior e do depósito de água quente sanitária, se foi incluída toda a informação necessária para uma instalação correta do sistema. Caso contrário, entre em contacto com o seu distribuidor.
- A HITACHI está continuamente a melhorar a conceção e o desempenho dos seus produtos. É por esta razão que a HITACHI se reserva o direito de alterar as especificações sem aviso prévio.
- A HITACHI não pode prever todas as possíveis circunstâncias que podem conduzir a perigos potenciais.
- Nenhuma parte deste manual pode ser reproduzida sem autorização por escrito.
- Se tiver alguma dúvida ou pergunta, contacte o seu prestador de serviços da HITACHI.
- Certifique-se de que as explicações de cada parte deste manual correspondem ao seu modelo de depósito de água quente sanitária.
- Consulte a codificação dos modelos para confirmar as características principais do seu sistema.
- As palavras de advertência (NOTA, PERIGO e CUIDADO) são usadas para indicar o nível de perigo. As páginas iniciais deste documento apresentam definições que permitem identificar níveis de risco.
- Os modos de operação são monitorizados por um controlador da unidade.
- Este manual deve ser considerado parte integrante e permanente do sistema. Apresenta uma descrição e informações comuns para este sistema que vai utilizar, assim como para outros modelos.
- Mantenha a temperatura da água do sistema acima da temperatura de congelação.

	Min.	Máx.
Temperatura de funcionamento do depósito	Sem congelamento	75°C

- Este manual deve ser considerado parte integrante e permanente do depósito de água quente sanitária. Este manual proporciona uma descrição e informação simples sobre este depósito de água quente sanitária.
- O circuito secundário (circuito de água sanitária) deve possuir uma válvula limitadora de pressão e de temperatura (ajuste de temperatura de 90 °C; ajuste da pressão de 7 bar).
- O tubo de evacuação da válvula de segurança deve ser conduzido para uma descarga sem acoplamento direto à mesma.
- O circuito primário (circuito de água para aquecimento) deve possuir uma válvula de segurança ajustada em 3 bar, no máximo. Depois de instalar o depósito, primeiro encha e pressurize o circuito secundário (água sanitária).
- Depois de concluir o passo 4, encha o circuito primário.
- Instale casquilhos dielétricos as conexões do circuito secundário, se o tubo principal não for de aço inoxidável.
- Se a pressão de entrada da água fria for superior à pressão de projeto de equipamento, deve instalar um redutor de pressão com um ajuste inferior ao da pressão de projeto.
- Para evitar a perda de calor no tubo de água quente nos sistemas de armazenagem com tarifário noturno, deve instalar um sifão antitérmico na saída do depósito. O tubo de água quente deve estar isolado (pelo menos até ao sifão antitérmico).
- Os circuitos de retorno de cobre devem ser evitados.
- Esta instalação está sujeita à aprovação dos regulamentos de construção, devendo notificar a instalação às autoridades locais.
- Depois da instalação entregue o manual ao proprietário.
- As ligações das válvulas limitadoras cilíndricas não devem ser utilizadas para qualquer outra finalidade.
- Instale um sifão para a água do circuito secundário (instruções):
 - Isole o depósito da pressão líquida, ou seja, através de uma válvula de corte na entrada de água fria.
 - Abra a válvula limitadora do depósito.
 - O depósito de água quente sanitária esvazia-se com um efeito de sifão, através do tubo de descarga da válvula limitadora instalada na tubagem de entrada de água fria, na parte inferior do depósito.

3 INSTALAÇÃO

3.1 GUIA DO PRODUTO

Tipo de unidade: Depósito de água quente sanitária								
Capacidade 200 L a 300 L								
S= Inoxidável								
Hífen de separação de posição (fixo)								
3,0 kW								
Resistência elétrica								
Série								
E = Fabricado na Europa								
DHWT	XXX	S	-	3,0	H	2	E	

3.2 OBSERVAÇÕES GERAIS

3.2.1 Componentes recebidos



O DHWT-(200/300)S-3.0H2E é um aquecedor indireto de aço inoxidável da água. O produto foi projetado para aquecer água quente sanitária por meio de uma fonte de calor externa como uma bomba de calor.

Desembale o produto cuidadosamente para evitar danos. Instale o produto numa superfície nivelada e lisa, com capacidade para suportar o peso total do depósito cheio com água. Regule os pés de origem conforme necessário. O produto deve ficar nivelado numa posição vertical. Os trabalhos de tubagem e elétricos devem ser realizados por um instalador autorizado.

Antes de encher a unidade com água deve instalar o cabo elétrico. Consulte [“9.5 Resistência elétrica”](#).

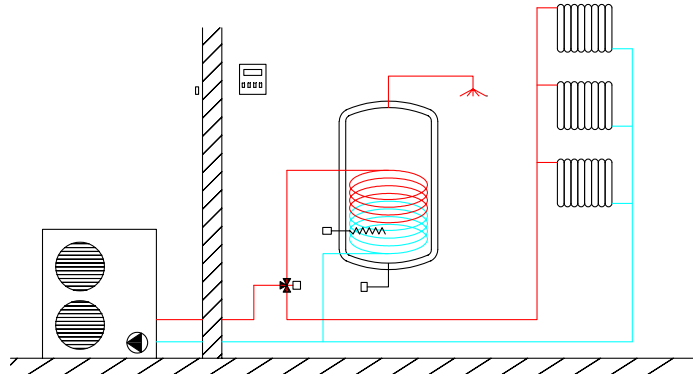
Em pisos inclinados o aparelho deve ficar instalado na vertical e ser nivelado com os pés ajustáveis. As unidades devem ser fixadas firmemente às paredes.

Este aparelho deve ser ligado permanentemente a rede de água.

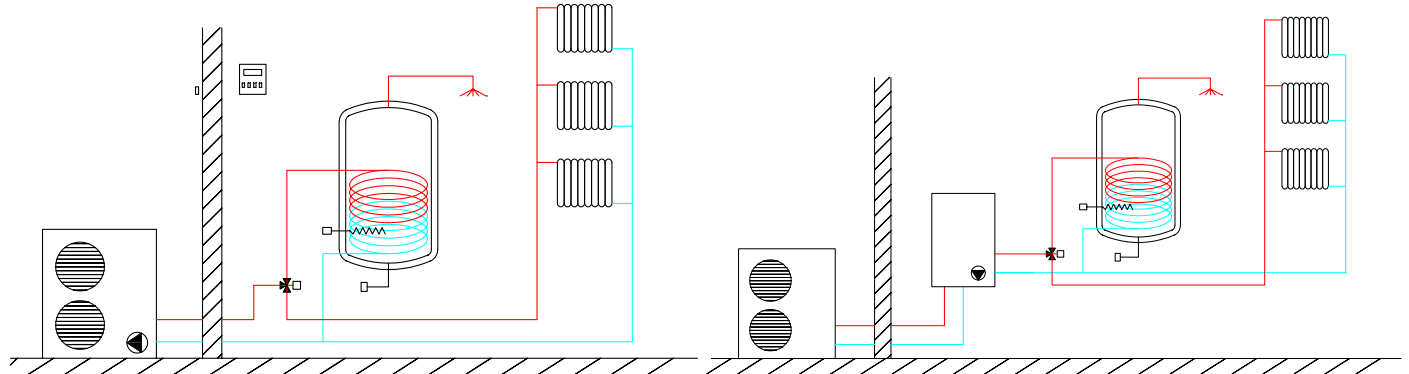
Neste produto apenas deve utilizar uma válvula de segurança em conformidade com NBI 06870/387.

3.3 EXEMPLOS DE INSTALAÇÃO

◆ Instalações de aquecimento YUTAKI M



◆ Instalações de aquecimento YUTAKI S e S80



i NOTA

Para obter mais informações, consulte o Manual de Instalação do Sistema Yutaki.

4 RESOLUÇÃO DE PROBLEMAS BÁSICOS

! CUIDADO

- Quando ocorrer uma fuga de água, desligue a unidade e contacte o seu serviço de assistência técnica.
- Se observar ou cheirar fumo proveniente do depósito de água quente sanitária, desligue a unidade e contacte o serviço de assistência técnica.

◆ SE A UNIDADE NÃO FUNCIONAR

- Verifique se a temperatura do sistema YUTAKI está ajustada na temperatura correta.
- Inspeccione as ligações elétricas da unidade e do depósito de água quente sanitária (funcionamento do fusível ou do disjuntor)
- Verifique a temperatura da água e um eventual corte por termóstato (se for superior a 90 °C)
- Verifique a pressão e o caudal da água (pelo menos 0,1 MPa).
- Verifique se o termóstato manual do depósito de água quente sanitária está configurado para o ponto máximo de ajuste da água pelo controlo do sistema YUTAKI (verifique o ponto de ajuste da água por antilegionela).

◆ SE A UNIDADE NÃO AQUECER O SUFICIENTE

- Verifique a existência de obstruções do caudal da água no interior do circuito de água.
- Verifique se as condições de pressão de água estão na margem de funcionamento.
- Inspeccione as ligações elétricas do sistema de controlo e do depósito de água quente sanitária.
- Se o aquecedor não estiver a funcionar, deve ser inspecionado.

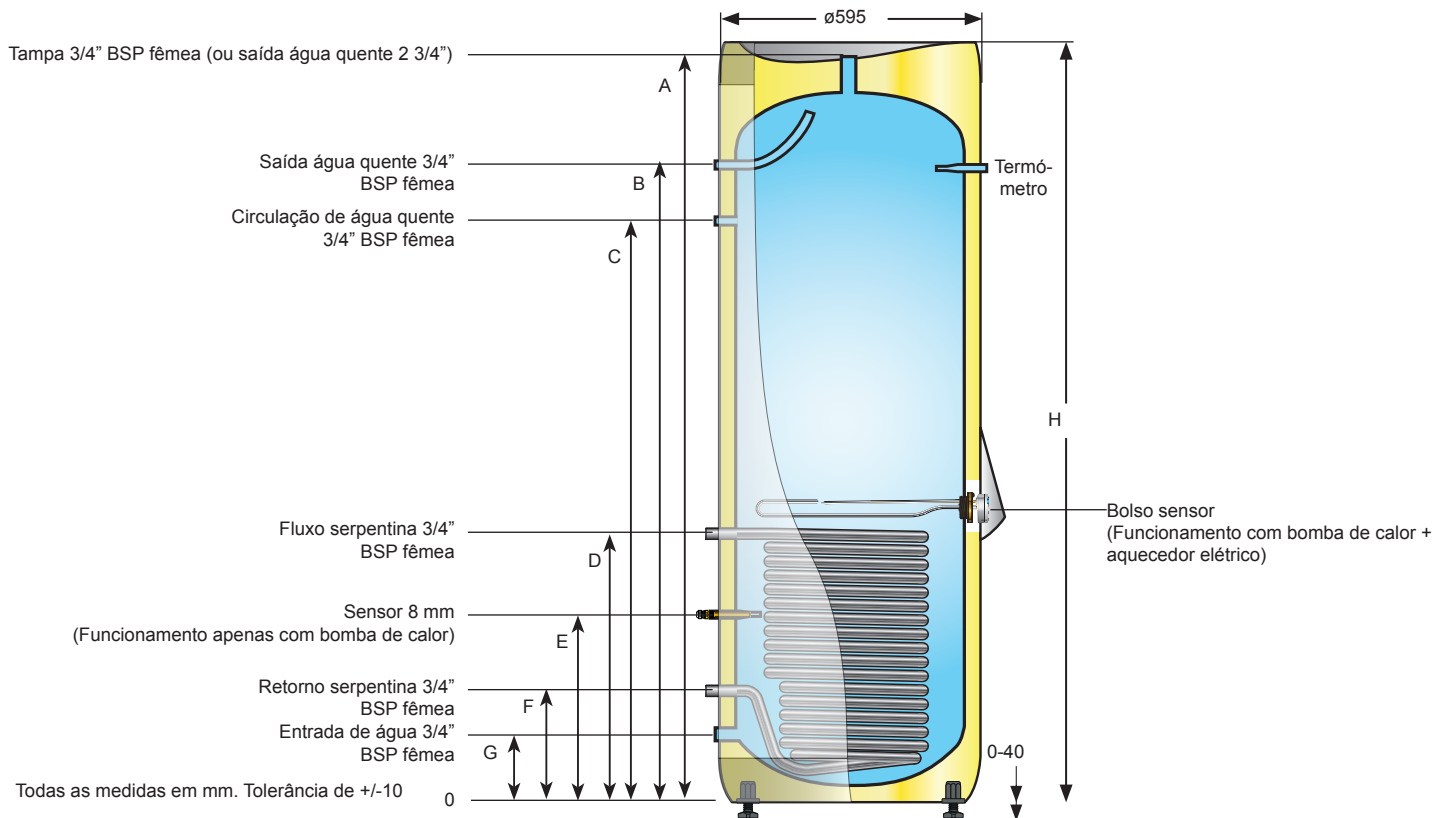
◆ SE O PROBLEMA PERSISTIR...

Se o problema persistir, depois de verificar os pontos acima, contacte o prestador de serviços de assistência, fornecendo os seguintes dados:

- Nome do modelo da unidade
- Descrição do problema

5 DESENHOS DIMENSIONAIS

5.1 DHWT(200/300)S-3.0H2E

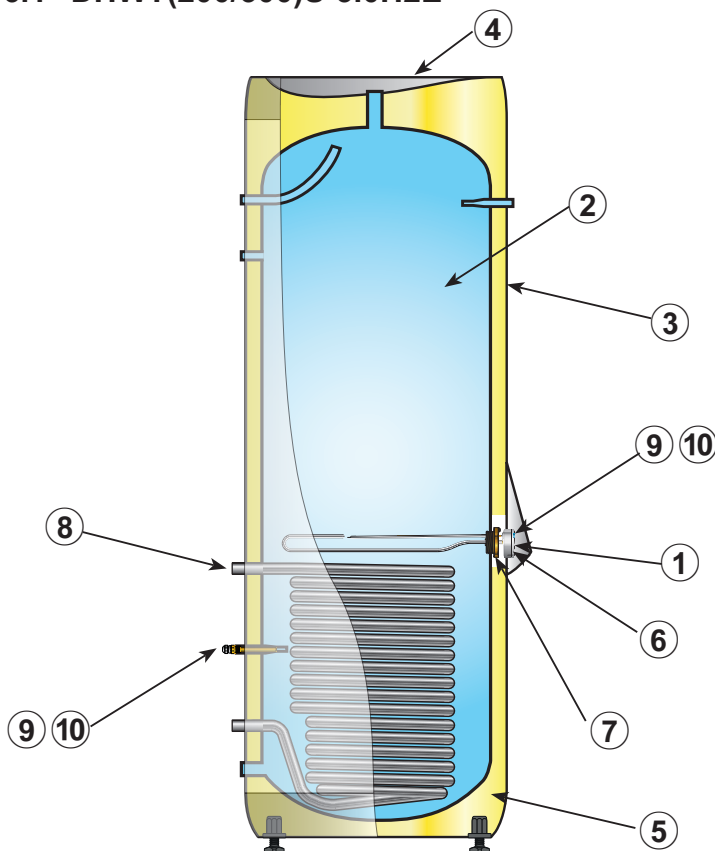


Código	Modelo	Capacidade em pessoas	Peso (kg)	Vol. carga (m³)	Tempo de aquecimento h Δt 65 °C	Volume (L)	Perda de calor (W)	Classificação ErP
70544002	DHWT-200S-3.0H2E - 3 kW/1x230 V + serpentina 1,4 m²	3,0	53	0,46	VP \leq 10kW	194	47,3	B
70544003	DHWT-300S-3.0H2E - 3 kW/1x230 V + serpentina 1,8 m²	5,0	63	0,62	VP \leq 12kW	284	62,8	B

Dimensões	DHWT-200S-3.0H2E	DHWT-300S-3.0H2E
A	1265	1745
B	977	1457
C	842	1322
D	677	867
E	482	594
F	267	267
G	156	156
Dia. x Altura (mm)	$\phi 595 \times 1270$	$\phi 595 \times 1750$

6 NOME DAS PEÇAS

6.1 DHWT(200/300)S-3.0H2E



Ref.	Qt.	Nome
①	1	Abertura de inspeção
②	1	Depósito de armazenagem de água quente sanitária
③	1	Cobertura externa
④	1	Tampa superior
⑤	1	Isolamento térmico
⑥	1	Painel de controlo
⑦	1	Resistência elétrica
⑧	1	Bobina de aquecimento
⑨	1	Sondas do sensor
⑩	1	Sensor do depósito de água quente sanitária

7 INSTALAÇÃO DA UNIDADE

Transporte os produtos tão perto como possível do local de instalação antes do desembalamento.

Verifique o conteúdo da embalagem:

- Modelo depósito de água quente sanitária
- Documentação e Manual de instalação e de funcionamento

7.1 PROCEDIMENTO DE SELEÇÃO DOS DEPÓSITOS DE ÁGUA QUENTE SANITÁRIA YUTAKI

⚠ CUIDADO

- Este depósito de água quente sanitária deve ser instalado no interior.
- A instalação do depósito de água quente sanitária deve ser realizada por profissionais.
- Instale o depósito de água quente sanitária com um espaço envolvente apropriado para o funcionamento e a manutenção, conforme mostrado nas figuras seguintes.
- Instale o depósito de água quente sanitária num local com boa ventilação. Não instale o depósito de água quente sanitária em locais com níveis elevados de vapor de óleo ou em atmosferas salgadas ou sulfurosas.
- Trabalhar sem uma ventilação suficiente num espaço fechado pode provocar deficiência de oxigénio. Se os produtos de limpeza forem aquecidos a uma temperatura elevada como, por exemplo, se forem expostos ao fogo, podem ser produzidos gases tóxicos.
- Não instale o depósito de água quente sanitária próximo de substâncias inflamáveis.
- Quando instalar algum dispositivo próximo do depósito de água quente sanitária, providencie um espaço livre superior a 500 mm entre ambos.

7.2 ESPAÇO DE MANUTENÇÃO

- Certifique-se de que o depósito de água quente sanitária é instalado verticalmente.
- Utilize detergente líquido não inflamável nem tóxico para limpar. A utilização de agentes inflamáveis pode provocar uma explosão ou incêndio.
- Deve remover completamente o líquido de limpeza depois de concluir esta operação.
- Tenha cuidado para não prender os cabos quando fechar a tampa da caixa elétrica. Isto poderia provocar um choque elétrico.

7.3 GARANTIA DO CONTROLO DE ABASTECIMENTO DE ÁGUA

Na maior parte dos casos, a água de poços ou de rios pode conter grandes quantidades de matéria sólida e orgânica em suspensão, bem como provocar incrustações. Por conseguinte, deve ser filtrada ou tratada com um descalcificador antes de ser utilizada com o depósito de água quente sanitária.

É igualmente necessário analisar a qualidade da água comprovando o pH, a condutividade elétrica e outros aspetos. Seguidamente são apresentados os valores normalizados para a qualidade de água:

Item	Fornecimento de água do depósito de água quente sanitária
Iões de Cloro (mg Cl ⁻ /l)	Menos de 150
Condutividade elétrica (µs/cm)	100~2000
Dureza total (mg CaCO ₃ /l)	60~150
Teor de sulfato (mg/l)	máx. 250

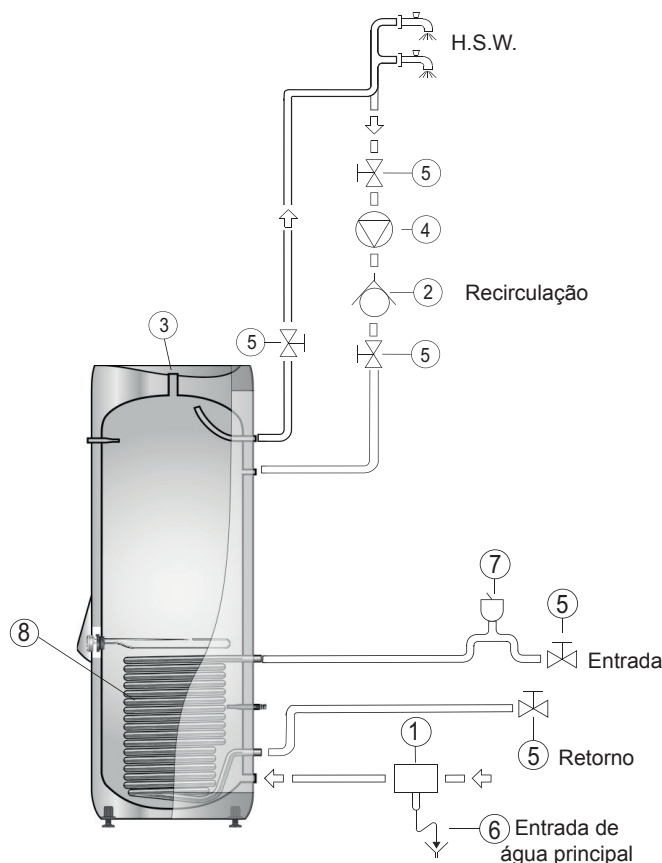
i NOTA

O intervalo da água deve estar em conformidade com a norma s/UNE 112076:2004 IN.

8 CIRCUITO HIDRÁULICO

Ao executar as ligações das tubos de água:

- 1 Conecte todas as tubagens tão perto como possível da unidade, de modo a poder desligá-las facilmente se for necessário.
- 2 Deve utilizar uniões flexíveis na tubagem de entrada e de saída de água, para que a vibração não seja transmitida.
- 3 Sempre que possível, deve instalar válvulas de correção nas tubagens de água, para minimizar a resistência do fluxo e manter um caudal suficiente.
- 4 Deve aplicar válvulas de esfera em ambas as ligações da tubagem de água para facilitar eventuais trabalhos de manutenção.
- 5 Deve realizar uma inspeção adequada para verificar se existem fugas dentro e fora do sistema, abrindo completamente as válvulas de entrada e de saída de água quente para o condensador de água.
- 6 Deve purgar totalmente o ar do depósito de água quente sanitária para evitar que os elementos de aquecimento irradiem para a caixa do depósito sem água.
- 7 Aplique isolamento térmico na tubagem do sistema hidráulico para evitar lesões acidentais devido as superfícies demasiado quentes e para evitar perdas de calor.
- 8 Se a unidade parar durante períodos de inatividade e a temperatura ambiente for muito baixa, é possível que a água na tubagem e na bomba de circulação congele, danificando-as. Para prevenir esta situação, é conveniente drenar a água da instalação durante os períodos de paragem.



i NOTA

Verificar periodicamente:

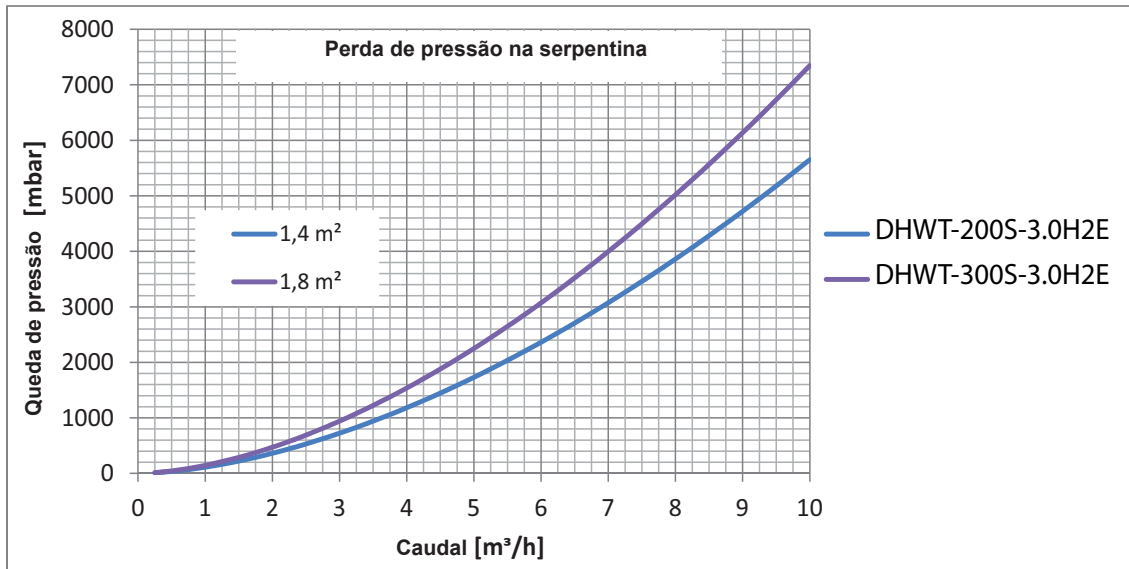
- Fluxo e pressão de água
- Fugas de água
- Aperto dos pontos de fixação

! CUIDADO

- As tubagens de ligação de entrada e de saída devem ser 1G"
- Deve manter a direção do fluxo de água indicada no desenho anterior.

1	Válvula de segurança sanitária
2	Válvula de não-retorno
3	Saída de água 2
4	Bomba de recirculação
5	Torneira de corte
6	Drenar
7	Purga (ar)
8	Bobina de aquecimento

8.1 QUEDAS DE PRESSÃO



9 LIGAÇÕES ELÉTRICAS

9.1 VERIFICAÇÃO GERAL

- 1 Certifique-se de que os componentes elétricos fornecidos no local (interruptores de alimentação da rede, disjuntores, cabos, conectores e terminais de cabos) foram selecionados corretamente, de acordo com os dados elétricos indicados. Certifique-se de que os componentes estão em conformidade com as normas elétricas em vigor.
- 2 A ligação elétrica deve ser realizada por profissionais.
- 3 Certifique-se de que a tensão da fonte de alimentação não apresenta uma variação superior a +/-10% em relação à tensão nominal.
- 4 Verifique se a fonte de alimentação tem uma impedância suficientemente baixa para garantir que a tensão de arranque não é inferior a 85 % da tensão nominal.
- 5 Verifique se o cabo de ligação à terra está bem conectado, marcado e protegido e em conformidade com as normas elétricas em vigor.
- 6 Instale um fusível com a potência especificada.
- 7 Verifique periodicamente a fixação da ligação elétrica.

⚠ CUIDADO

- *Certifique-se de que os parafusos do bloco de terminais estão bem apertados.*
- *Proteja os cabos, a tubagem de descarga e as peças elétricas de ratos ou outros animais pequenos. Se as peças não forem protegidas, os ratos podem danificá-las e, no pior dos casos, pode ocorrer um incêndio.*
- *Envolva os cabos com fita para proteger o produto contra qualquer água condensada e insetos.*
- *Fixe firmemente os cabos dentro da unidade com a abraçadeira do cabo de alimentação.*
- *Conduza os cabos evitando qualquer contacto com a tubagem de água.*
- *Envolva os cabos do controlador do sistema com fita.*

⚠ PERIGO

- ***Não efetue qualquer trabalho nas ligações elétricas sem desligar o interruptor da alimentação principal.***
- ***Se houver mais de um interruptor da alimentação para ligar/desligar, verifique e teste para garantir que está tudo desligado.***

9.2 DIMENSÕES DOS CABOS

Dimensões mínimas recomendadas para os cabos fornecidos no local:

Modelo	Fonte de alimentação	Corrente máx.	Dimensão do cabo de alimentação da resistência elétrica	Dimensão do cabo do sensor
			EN60 335-1	EN60 335-1
DHWT	1~ 230V 50Hz	15A	2,5mm ²	0,75mm ²

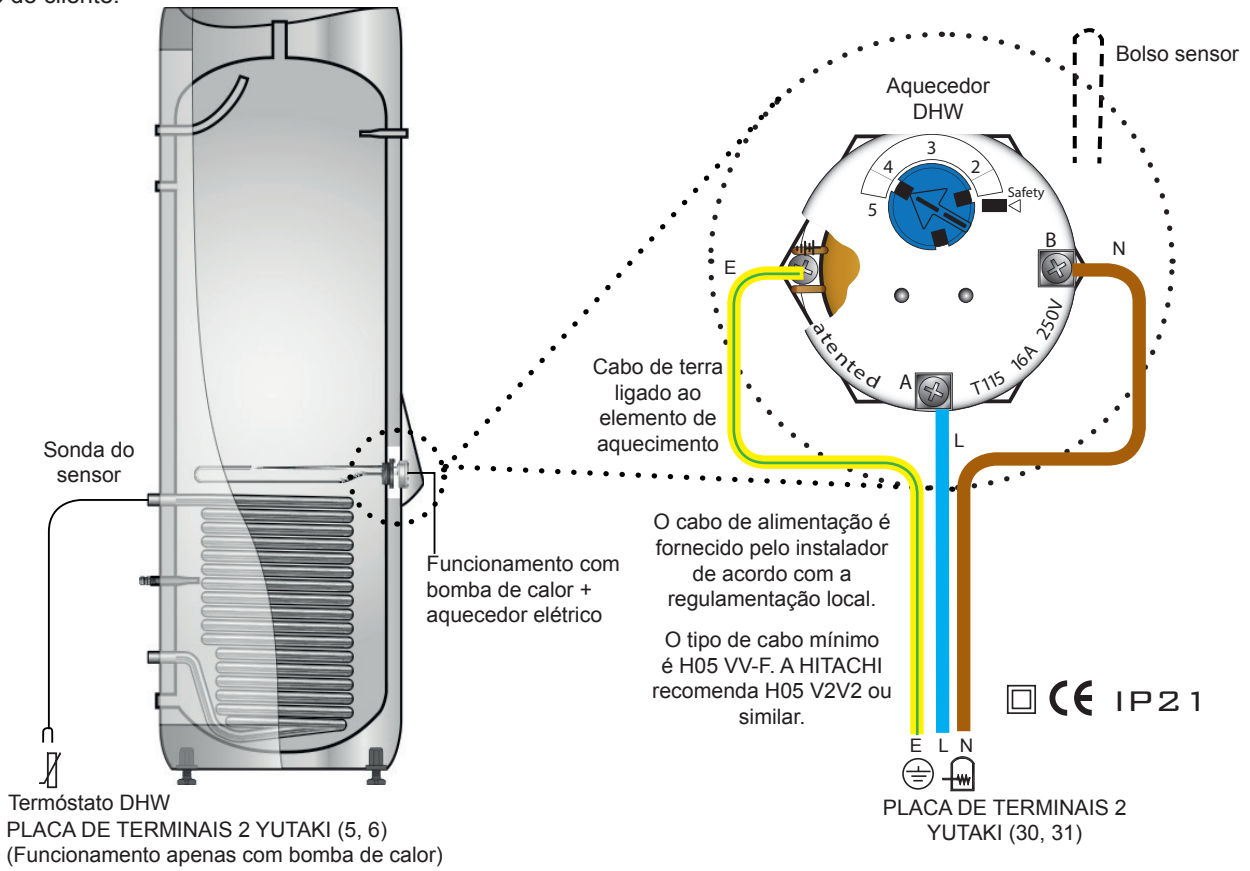
i NOTA

- *Siga as normas e os regulamentos locais ao selecionar os cabos elétricos, os disjuntores e os disjuntores de fuga de terra fornecidos no local.*
- *Utilize cabos que não sejam mais leves que o cabo normal flexível revestido com policloropreno (código de referência H05RN-F).*

9.3 LIGAÇÕES ELÉTRICAS

A ligação elétrica entre o depósito de água quente sanitária e o sistema YUTAKI é a seguinte:

Ligação do cliente:



9.4 LIGAÇÕES ELÉTRICAS INTERNAS



9.5 RESISTÊNCIA ELÉTRICA

A resistência elétrica é fabricada com a liga 825 Incoloy e cumpre a diretiva de baixa tensão europeia 2006/95/CE.

Inclui uma flange com três elementos de aquecimento em U para resistências elétricas de 3,0 kW.

9.6 INSTALAÇÃO ELÉTRICA

9.6.1 Substituição do termóstato/elemento

Desligue a fonte de alimentação e remova a tampa central elétrica. Desligue o fornecimento de água e esvazie a unidade. Desaperte os fios do termóstato e do elemento.

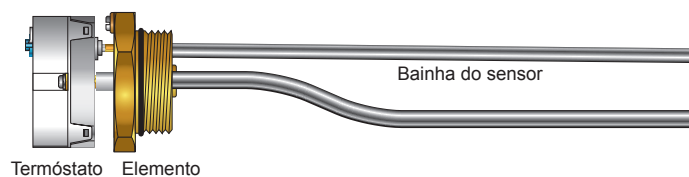
Se apenas substituir o termóstato, pode deixar os fios do elemento. Remova o termóstato retirando-o diretamente das tomadas do elemento.

A seguir pode retirar ou substituir o elemento com a ferramenta respectiva. Certifique-se de que o vedante no elemento está na posição correta e de que não apresenta danos antes de instalar o elemento.

Encha completamente a unidade com água e certifique-se de que não existem fuga no elemento. Ligue os fios ao elemento. Instale o pressóstato pressionando firmemente. Ligue os fios elétricos ao termóstato.

Aperte firmemente todas as ligações dos fios. Volte a apertar passados três meses.

Deve reinstalar a tampa da central elétrica e encher a unidade com água antes de ligar a alimentação elétrica.



9.7 MEDIDAS DE SEGURANÇA

- Antes de qualquer intervenção, desligue completamente o depósito de água quente sanitária da rede elétrica. Todos os circuitos das ligações devem ser desligados.
- A instalação, a configuração, o arranque e a manutenção dos elementos de aquecimento devem ser realizados por um instalador autorizado. Estas operações devem ser cumprir todas as normas e regulamentos.
- O utilizador é responsável por garantir a observância dos requisitos essenciais da diretiva de baixa tensão europeia.
- Os elementos de aquecimento elétricos geram temperaturas elevadas. Deve tomar precauções para proteger as bens e pessoas de queimaduras acidentais durante o funcionamento e depois de o equipamento ter sido desligado ou instalado.
- Tenha em conta a secção mínima do cabo:
- Resistências do cabo recomendado de 3,0 kW: H05SJ-K de acordo com a norma UNE 21027, com uma secção mínima de 2,5 mm².
- Os depósitos devem incluir um termóstato de controlo da temperatura e um termóstato limitador de polo múltiplo (o ajuste destes dois componentes deve ser compatível com os parâmetros dos depósitos).
- Recomendamos a instalação de dispositivos de segurança apropriados (da temperatura, dos líquidos de aquecimento por convecção natural, do caudal para líquidos em circulação, etc.).

10 RESUMO DE SEGURANÇA E AJUSTE DO DISPOSITIVO DE CONTROLO

◆ Proteção

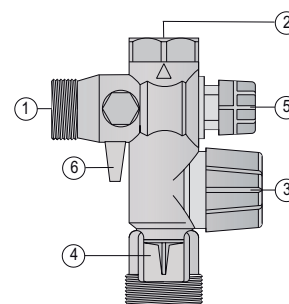
Este interruptor desliga o depósito de água quente sanitária quando a temperatura da água no interior exceder os 90 °C.

Modelo	Unidades	Depósito de DHW
Termóstato		Inicialização manual
Desligar	°C	90
Contactores		
Corrente	A	20 (CA1)
Tensão	V	230V
Resistências de aquecimento		
Potência elétrica	kW	3,0
Tensão	V	230V
Ø	mm	6,4
Porcas cónicas de fixação das resistências	"G	1-1/4"
Carga térmica específica	W/cm ²	14,2
Material		INCOLOY 825
Cabo de resistência		Ni-Cr 80/20 Ø 0,45 mm
Sensor do depósito de água quente sanitária		NTC 20k

11 NORMA GERAL PARA O SISTEMA HIDRÁULICO

- A válvula de segurança deve ficar montada na instalação da água sanitária.
- Deve colocar um redutor de pressão na instalação do depósito de água quente sanitária. A pressão nominal da unidade de segurança pode atingir 8 bar.
- Se a pressão principal ultrapassar 6 bar, deve instalar um redutor de pressão.
- A descarga de água durante o aquecimento (expansão) é normal. O volume desta descarga pode chegar aos 3 % da capacidade do depósito.
- O regulador da pressão deve trabalhar com regularidade, dependendo da qualidade da água, para remover os depósitos de calcário e garantir a desobstrução.
- Pode ocorrer uma fuga de água no dispositivo protetor de pressão. O tubo de descarga deve estar sempre aberto para a atmosfera, sem gelo e em inclinação contínua para o lado inferior.
- Deve instalar casquilhos dielétricos na saída e entrada de água sanitária e nas ligações do circuito do depósito.
- Esvaziar o depósito de água quente sanitária: Feche a válvula de entrada principal e abra a válvula de descarga de segurança.

Ref.	Nome
①	Entrada de água principal
②	Ligação da entrada do depósito de água quente sanitária
③	Válvula de segurança e esvaziamento manual
④	Ligação de esvaziamento
⑤	Válvula de verificação
⑥	Válvula de fecho



1 GENEREL INFORMATION

Denne publikation, eller dele af den, må ikke reproducere, kopieres, arkiveres eller sendes i nogen form uden forudgående tilladelse fra HITACHI Air Conditioning Products Europe, S.A.U.

Grundet en politik om fortløbende forbedring af vores produkter forbeholder HITACHI Air Conditioning Products Europe, S.A.U. sig retten til at foretage ændringer til enhver tid, uden at give forudgående besked herom eller være nødsaget til at implementere ændringerne i produkter solgt herefter. Denne vejledning kan derfor være blevet ændret under produktets levetid.

HITACHI gør til enhver tid sit bedste for at levere korrekt og ajourført dokumentation. Trykfejl kan dog ikke udelukkes, og HITACHI kan derfor ikke tage ansvar herfor.

Som følge heraf er det muligt, at nogle af de billeder eller informationer, der er brugt i denne vejledning, ikke svarer helt til visse modeller. Ingen reklamationer vil blive accepteret på baggrund af information, billeder eller beskrivelser i denne vejledning.

2 SIKKERHED

2.1 ANVENDTE SYMBOLER

Under normalt designarbejde af varmepumpen eller enhedsmontering skal der udvises større opmærksomhed i visse situationer, der kræver særlig omhu for at undgå tilskadekomst og beskadigelse af enheden, installationen, bygningen eller anden ejendom.

Situationer, der bringer sikkerheden i fare for omgivelserne eller udsætter selve enheden for fare, vil være tydeligt angivet i denne vejledning.

En række særlige symboler vil blive anvendt til at angive disse situationer tydeligt.

Vær særligt opmærksom på disse symboler og de efterfølgende meddelelser, da din og andres sikkerhed afhænger deraf.

FARE

- *Den tekst, der følger efter dette symbol, indeholder oplysninger og anvisninger, der er direkte relateret til din sikkerhed og dit fysiske velbefindende.*
- *Hvis disse anvisninger ikke overholdes, kan det føre til alvorlig eller meget alvorlig personskade eller være direkte livstruende for dig og andre i nærheden af enheden.*

I de tekster, der følger efter faresymbolet, kan du også finde oplysninger om sikkerhedsprocedurer under installation af enheden.

FORSIGTIG!

- *Den tekst, der følger efter dette symbol, indeholder oplysninger og anvisninger, der er direkte relateret til din sikkerhed og dit fysiske velbefindende.*
- *Hvis disse anvisninger ikke overholdes, kan det føre til mindre personskade for dig og andre i nærheden af enheden.*
- *Hvis disse anvisninger ikke overholdes, kan det føre til beskadigelse af enheden.*

I de tekster, der følger efter advarselssymbolet, kan du også finde oplysninger om sikkerhedsprocedurer under installation af enheden.

BEMÆRK

- *Den tekst, der følger efter dette symbol, indeholder oplysninger eller anvisninger, der kan være nyttige, eller som kræver en mere grundig forklaring.*
- *Anvisninger vedrørende eftersyn, der skal udføres på enhedsdele eller systemer, kan også være inkluderet.*

2.2 EKSTRA OPLYSNINGER OM SIKKERHED

FARE

- **STRØMFORSYN IKKE INDENDØRS ENHEDEN OG DHW BEHOLDEREN, INDEN DER ER FYLDT VAND PÅ BEGGE KREDSLØB, OG DU HAR KONTROLLERET VANDTRYKKET, SAMT AT DER IKKE FOREKOMMER NOGEN FORM FOR VANDLÆKAGE.**
- **Hæld ikke vand over de elektriske dele. Hvis de elektriske dele kommer i kontakt med vand, kan der forekomme alvorlige elektriske stød.**
- **Rør eller justér ikke sikkerhedsmekanismerne inden i luft til vand varmepumpen. Hvis der røres ved eller justeres på disse mekanismer, kan en alvorlig ulykke finde sted.**
- **I tilfælde af brand: Slå hovedafbryderen fra, sluk branden og kontakt serviceafdelingen.**
- **Du skal sikre dig, at DHW beholderen ikke kan igangsættes tilfældigt uden vand, eller uden luft i det hydrauliske system.**

FORSIGTIG!

- *Anvend ikke spray, såsom insektgift, lak, hårlak eller andre brandbare gasarter inden for en radius af ca. en meter fra anlægget.*
- *Hvis kredsløbsafbryderen eller sikringen aktiveres ofte, skal du slukke anlægget og kontakte serviceafdelingen.*
- *Foretag ikke selv serviceeftersyn eller andre former for eftersyn. Eftersyn skal foretages af en kvalificeret servicetekniker.*
- *Dette apparat må kun bruges af voksne og kompetente personer, der har modtaget den tekniske information eller vejledning i korrekt og sikker håndtering af dette apparat.*
- *Børn bør holdes under opsyn, så de ikke leger med apparatet.*
- *Sørg for, at der ikke kommer nogen fremmedlegemer ind i DHW beholderens vandindtag- og udløbsrørssystem.*

2.3 VIGTIG INFORMATION

- Alt supplerende informationsmateriale om de anskaffede produkter findes på en CD-ROM, som ligger pakket sammen med indendørsenheden. I tilfælde af, at CD-ROMMEN mangler, eller hvis den ikke er læsbar, bedes du kontakte din HITACHI forhandler eller leverandør.
- **LÆS VENLIGST VEJLEDNINGEN OG FILERNE PÅ CD-ROMMEN GRUNDIGT IGENNEM, FØR DU PÅBEGYNDER INSTALLATIONEN AF LUFT TIL VAND VARMEPUMPESYSTEMET.** Manglende overholdelse af anvisningerne vedrørende installation, brug og betjening beskrevet i denne dokumentation kan medføre driftsfejl, alvorlige defekter eller ødelæggelse af luft til vand varmpumpesystemet.
- **Dette dokument indeholder alle nødvendige informationer vedrørende HITACHI DHW beholderen. YUTAKI DHW beholderen kan sluttes til YUTAKI S, YUTAKI S80 indendørsenhed TYPE 1 eller YUTAKI M. Læs venligst vejledningen (Information om opvarmning) eller CD-ROMMEN, som er pakket ned sammen med enheden, hvor du finder fyldestgørende information om anlægget.**
- Kontrollér, at alle de oplysninger, der er nødvendige for en korrekt installation af anlægget, findes i vejledningerne til indendørs- og udendørsenhederne samt DHW beholderen. Hvis dette ikke er tilfældet, skal du kontakte din distributør.
- HITACHI arbejder for stadig forbedring af produkternes udformning og ydeevne. Derfor forbeholder HITACHI sig retten til at ændre specifikationer uden varsel.
- HITACHI kan ikke forudse enhver situation, der kan medføre potentielle farer.
- Der må ikke kopieres fra denne manual uden forudgående skriftlig tilladelse.
- Kontakt HITACHI-serviceafdelingen, hvis du har spørgsmål.
- Kontrollér og sørg for, at forklaringerne af hver del i denne vejledning svarer til din DHW-beholders model.
- Se modelkodificeringen for at kontrollere anlæggets hovedegenskaber.
- Signalordene (BEMÆRK, FARE og FORSIGTIG) anvendes til at angive risikoniveauet. Definitioner på de forskellige risikoniveauer findes i begyndelsen af dette dokument.
- Disse enheders driftstilstande styres fra kontrolpanelet.
- Vejledningen bør altid opbevares sammen med anlægget. Beskrivelsen og oplysningerne i vejledningen gælder for dette anlæg såvel som for andre modeller.
- Hold vandtemperaturen i systemet over frysepunktet.

	Min.	Maks.
Beholderens driftstemperatur	Uden for frost	75°C

- Denne vejledning bør altid opbevares sammen med DHW-beholderen. Denne vejledning giver en fælles beskrivelse af og information om denne DHW-beholder.
- Det sekundære kredsløb (brugsvandskredsløbet) skal udstyres med en tryk- og temperaturudligningsventil (trykindstilling 7 bar; temperaturindstilling 90°C).
- Sikkerhedsventilen på fordamperrøret skal føre til at afløb, men dette rør må ikke sluttes direkte til afløbet.
- Det primære kredsløb (opvarmingsvandskredsløbet) skal udstyres med en sikkerhedsventil, som er indstillet til maks. 3 bar. Når beholderen er blevet installeret skal man først fylde det sekundære kredsløb (brugsvand) og sætte det under tryk.
- Når trin 4 er blevet udført, kan det primære kredsløb fyldes.
- Hovedrøret er ikke i rustfrit stål, og der skal derfor monteres dielektriske bøsninger ved tilslutningerne til det sekundære kredsløb.
- Hvis trykket på indløb af koldt vand er højere end udstyrets konstruktionstryk, skal der monteres en trykreduktionsenhed med en trykindstilling, som er lavere end konstruktionstrykket.
- For at undgå varmetab gennem varmtvandsrøret i anlæg, der opbevarer vand til nattetakst, skal der monteres en antitermisk hævert på opbevaringsbeholderens udløb. Varmtvandsrøret skal beklædes med isoleringsmateriale (mindst op til den antitermiske hævert).
- Returkredsløb skal undgås, når de er af kobber.
- Denne installation skal godkendes ifølge bygningsreglementet - oplys de lokale myndigheder om intention om at installere.
- Udlever venligst vejledning til boligejeren efter installationen.
- Udligningsventilforbindelserne på cylindre må ikke anvendes til noget andet formål.
- Aftapning af vand from det sekundære kredsløb (instruktioner):
 - Isolér beholderen fra nettotrykket, dvs. gennem en afspærringsventil på indløbet af koldt vand.
 - Åbn beholderens udligningsventil.
 - Varmtvandsbeholderen tømmes vha. hæverteffekt. Det sker via udligningsventilens afløbsrør, der sidder på indløbsrøret til koldt vand på beholderens nederste del.

3 INSTALLATION

3.1 PRODUKTVEJLEDNING

Enhedstype: Varmtvandsbeholder								
Kapacitet (L) 200-300 Liter								
S= Rustfri								
Positionsdelende bindestreg (fast)								
3,0 kW								
Elektrisk varmelegeme								
Serien								
E = Produceret i Europa								
DHWT	XXX	S	-	3,0	H	2	E	

3.2 GENERELLE BEMÆRKNINGER

3.2.1 Komponenter ved modtagelse



DHWT-(200/300)S-3.0H2E er en indirekte vandvarmer i rustfrit stål. Produktet er beregnet til opvarmning af brugsvand fra en ekstern varmekilde, f.eks. en varmepumpe.

Pak forsigtigt produktet ud, undgå beskadigelse. Installér produktet på en flad, nivelleret overflade, der er i stand til at bære den fulde vægt af produktet, når det er fyldt med vand. Juster de fra fabrikken monterede justerbare fødder, om nødvendigt. Produktet skal installeres i lodret, nivelleret position. Al arbejde med den elektriske ledningsføring skal udføres af autoriserede installatører.

Inden enheden fyldes med vand, anbefales det at isætte det elektriske strømkabel, se "[9.5 Elektrisk varmelegeme](#)".

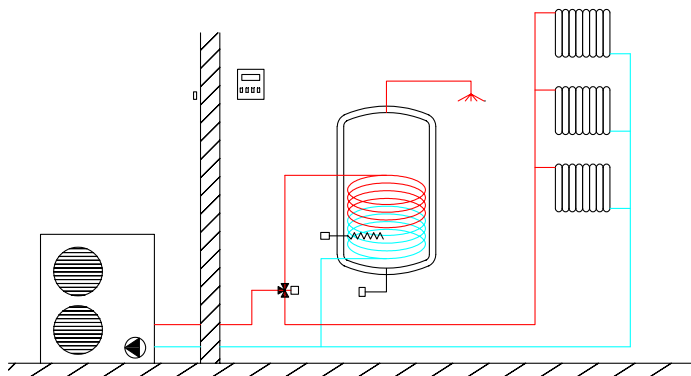
På underlag med skævheder, skal enheden installeret lodret og derefter nivelleres ved at justere de indbyggede fødder. Enheden skal fastgøres på forsvarlig vis til væggen.

Denne enhed er beregnet til at være tilsluttet permanent til hovedvandforsyningen.

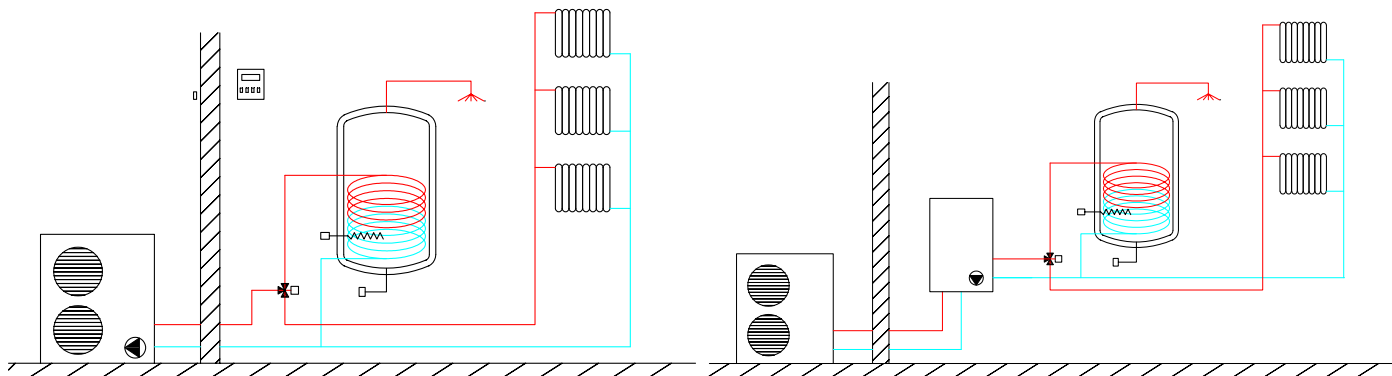
Åbn sikkerhedsventilen, der er godkendt ifølge NBI 06870/387 og tilladt til anvendelse på dette produkt.

3.3 INSTALLATIONSEKSEMPLER

◆ YUTAKI M varme installationer



◆ YUTAKI S og S80 opvarmningsinstallationer



i BEMÆRK

Yderligere oplysninger findes i installationsvejledningen til Yutaki anlægget.

4 GRUNDLÆGGENDE FEJLFINDING

! FORSIGTIG!

- Hvis der opstår vandlækage, skal processen afbrydes, og en servicetekniker kontaktes.
- Hvis du kan lugte røg eller se hvid røg, der kommer ud af DHW-beholderen, skal du stoppe anlægget og kontakte leverandøren.

◆ INGEN DRIFT

- Kontrollér, om den korrekte indstillingstemperatur for YUTAKI anlægget er indstillet på den korrekte temperatur.
- Kontrollér den elektriske forbindelse fra enheden og DHW-beholderen (sikring eller kredsløbsafbryder fungerer).
- Kontrollér vandtemperaturen og mulig aktivering af termostat afbrydelse (hvis højere end 90 °C > termostat afbrydelse).
- Kontrollér vandtryk og vandgennemstrømning (ved mindst 0,1 MPa.)
- Kontrollér, at den manuelle termostat for varmtvandsbeholder er indstillet til maksimalt indstillingspunkt for vand med YUTAKI systemkontrol (kontrollér indstillingspunkt for vand ved Anti-legionærsyge)

◆ OPVARMER IKKE KORREKT

- Kontrollér for blokering af vandstrømmen inden i vandkredsløbet.
- Kontrollér, om vandtryksforholdene ikke skulle være inden for driftsområdet.
- Kontrollér den elektriske forbindelse fra styresystem og varmtvandsbeholder.
- I tilfælde af, at den ikke virker, skal varmelegemet efterses.

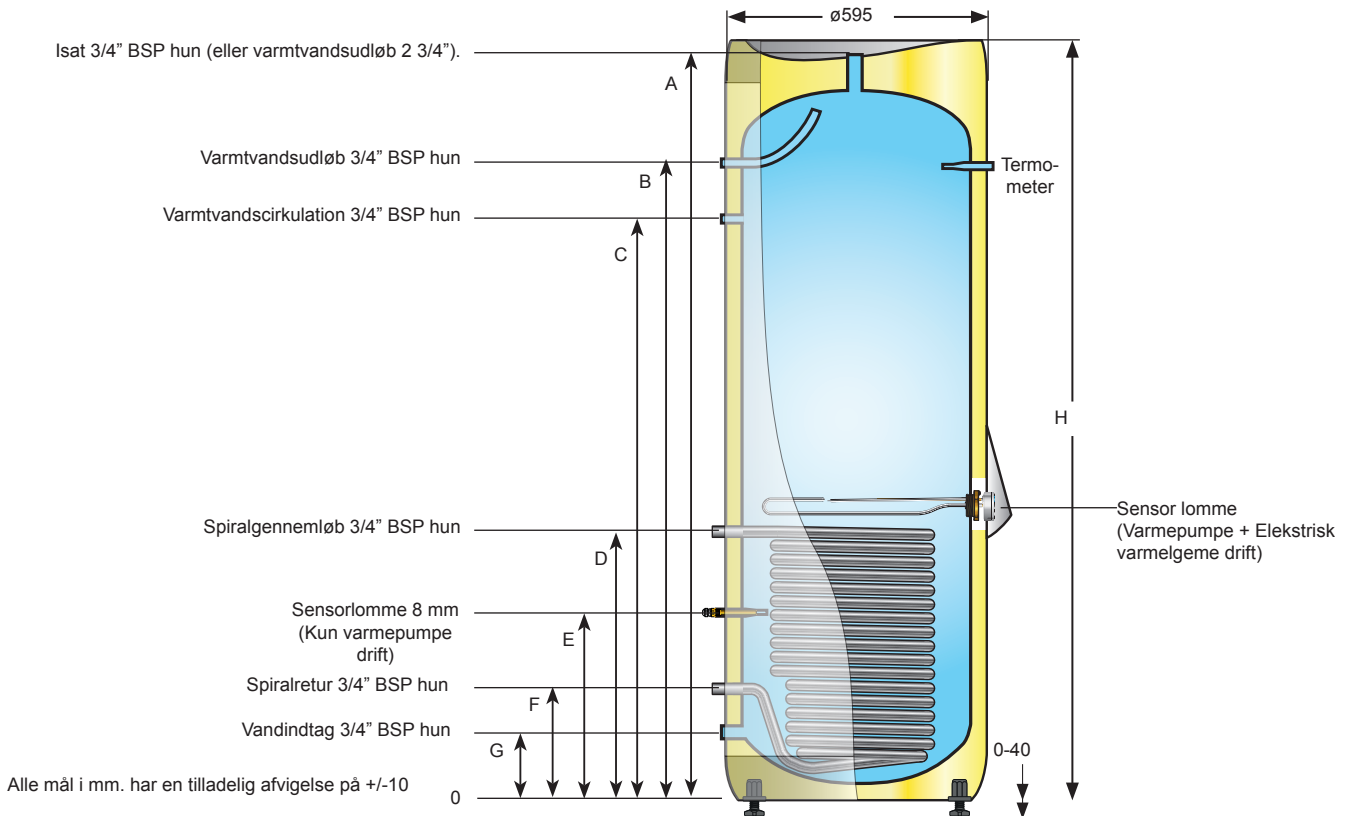
◆ HVIS DER STADIG ER PROBLEMER...

Hvis der stadig er problemer, når du har kontrolleret ovenstående, skal du kontakte din servicetekniker og angive følgende oplysninger:

- Enhedens modelnavn
- Beskrivelse af problemet

5 TEGNING MED MÅL

5.1 DHWT(200/300)S-3.0H2E

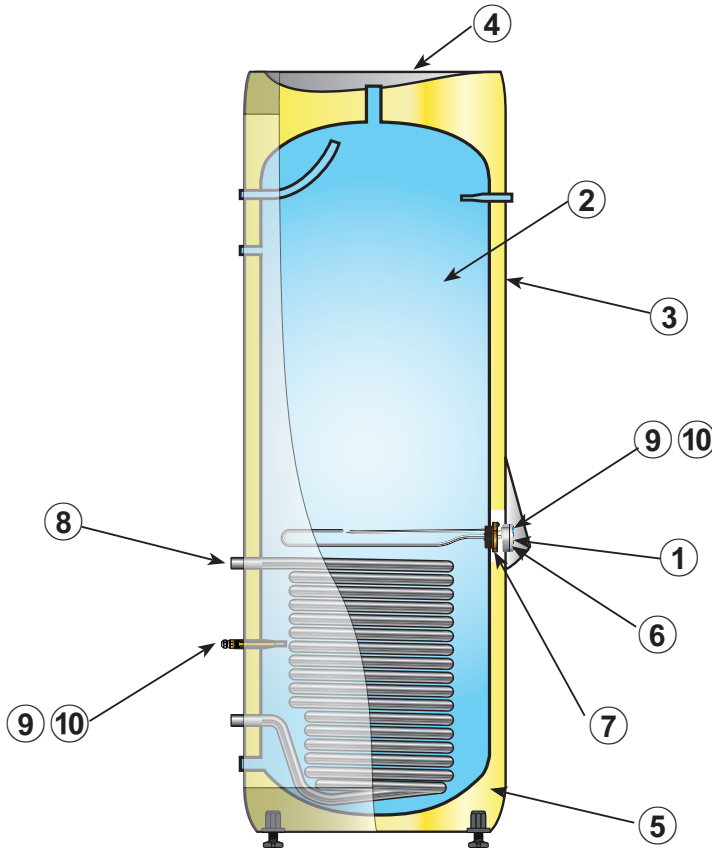


Kode	Model	Kapacitet - personer	Vægt (kg.)	Fragtvolumen (m ³)	Opvarmningstid timer Δt 65 °C	Volume (L)	Varmetab (W)	Klasse ErP
70544002	DHWT-200S-3.0H2E - 3kW/1x230V+spiral 1,4m ²	3,0	53	0,46	VP ≤ 10kW	194	47,3	B
70544003	DHWT-300S-3.0H2E - 3kW/1x230V+spiral 1,8m ²	5,0	63	0,62	VP ≤ 12kW	284	62,8	B

Mål	DHWT-200S-3.0H2E	DHWT-300S-3.0H2E
A	1265	1745
B	977	1457
C	842	1322
D	677	867
E	482	594
F	267	267
G	156	156
Diameter x højde (mm)	ø595x1270	ø595x1750

6 NAVN PÅ DELE

6.1 DHWT(200/300)S-3.0H2E



Ref.	Antal	Navn
①	1	Inspektionsåbning
②	1	Opbevaringsbeholder - varmt brugsvand
③	1	Udvendigt materiale
④	1	Topdæksel
⑤	1	Termisk isoleringsmateriale
⑥	1	Kontrolpanel
⑦	1	Elektrisk varmelegeme
⑧	1	Varmespiral
⑨	1	Sensor sonder
⑩	1	DHWT Sensor

7 INSTALLATION AF ENHED

Transporter produktet så tæt på installationssted som praktisk muligt inden udpakning.

Kontrollér pakkens indhold:

- Varmtvandsbeholder Model
- Installations- og betjeningsvejledning samt dokumenter

7.1 VALGPROCEDURE FOR DHW-BEHOLDERENHEDER

⚠ FORSIGTIG!

- DHW-beholderen er beregnet til montering indendørs.
- Installation af DHW-beholderen skal udføres af fagkyndige installatører.
- Installér DHW-beholderen med tilpas meget luft omkring den, således at der er plads til drifts- og vedligeholdelsesarbejde som vist i nedenstående figurer.
- Installér enheden, hvor der er god ventilation. Installér ikke DHW-beholderen på steder med olietåger eller salt- eller svovlholdig luft.
- Arbejde uden tilstrækkelig ventilation, på et lukket område, kan forårsage iltmangel. Rengøringsmidler kan afgive giftige dampe ved opvarmning til høje temperaturer, f.eks. i tilfælde af brand.
- Installer ikke DHW-beholderen nær ved brandbare substanser.
- Når der installeres apparater nær ved DHW-beholderen, skal der holdes en afstand mellem DHW-beholderen og andre hindringer på mere end 500 mm.

7.2 PLADS TIL ARBEJDE PÅ INSTALLATIONEN

- Kontrollér, at DHW-beholderen er monteret lodret.
- Brug kun ikke-brandbare og ikke-giftige rengøringsmidler til rengøring. Brug af brandbare rengøringsmidler kan forårsage eksplosion eller brand.
- Efter endt rengøring fjernes eventuelle rester af rengøringsmiddel.
- Pas på ikke at fange kablerne, når du lukker elboksens dæksel. Det kan give elektrisk stød.

7.3 KONTROL AF FORSYNINGSVANDETS KVALITET

Brøndvand eller flodvand indeholder i de fleste tilfælde opslæmmede faste partikler, organiske partikler og kalk i store mængder. Derfor skal denne type vand gennemgå en filtrering eller en blødgørende behandling med kemiske stoffer, før det anvendes som vand til DHW-beholderen.

Det er også nødvendigt at analysere vandkvaliteten ved at kontrollere pH, elektrisk ledsevne m.m. Nedenfor anføres den anbefalede standard vandkvalitet.

Element	Forsyningsvand til DHW-beholderen
Klor-ion (mg $\text{Cl}^-/1$)	Under 150
Elektrisk ledsevne ($\mu\text{s}/\text{cm}$)	100~2000
Total hårdhed (mg $\text{CaCO}_3/1$)	60~150
Sulfat (mg/l)	maks. 250

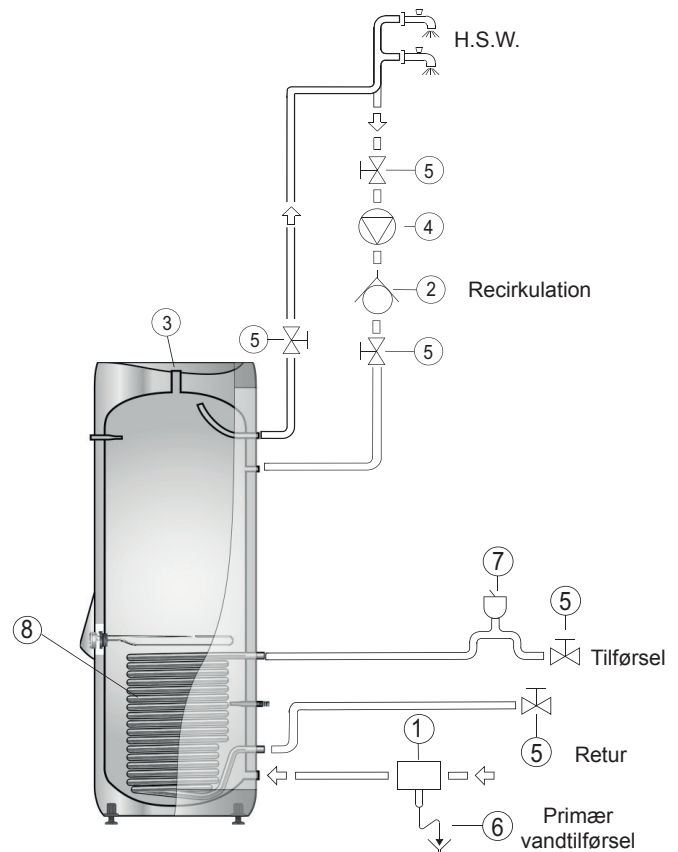
i BEMÆRK

Vandintervallet vil være i henhold til s/UNE 112076:2004 IN.

8 HYDRAULISK KREDSLØB

Når der udføres rørtilslutninger:

- 1 Forbind alle rørene så tæt på enheden som muligt, så de let kan afmonteres, når det er nødvendigt.
- 2 Det anbefales at bruge fleksible samlinger til rørsystemet til vandindtag og -udløb, så vibrationer ikke overføres.
- 3 Når det er muligt skal der monteres sluseventiler til rørsystemet, for at mindske strømningsmodstanden og opretholde en tilstrækkelig vandstrøm.
- 4 Det anbefales at bruge kugleventiler i begge vandrørsforbindelserne, for at gøre vedligeholdelsen lettere.
- 5 Der bør udføres korrekt kontrol, for at kontrollere for læk-kende dele inden i og uden på systemet, ved at åbne varmvandsindtaget og udløbsventilerne til vand-kondensatoren fuldstændigt.
- 6 Denne DHW-beholder skal udskilles fuldstændigt for luft for at forhindre, at opvarmningselementer bestråler beholderens kabinet uden vand.
- 7 Påfør varmeisolerings på det hydrauliske systems rør, for at undgå skader ved ulykke, på grund af for stor varme på rørsystemets overflader og også for at undgå varmetab.
- 8 Når enheden stoppes i ledige perioder, og den omgivende temperatur er meget lav, er det muligt, at vandet i rørene og i cirkulationspumpen fryser, hvilket beskadiger rørene og vandpumpen. For at forebygge dette er det nyttigt at tømme vandet af installationen i perioder, hvor den ikke er i brug.



i BEMÆRK

Kontrollér jævnligt:

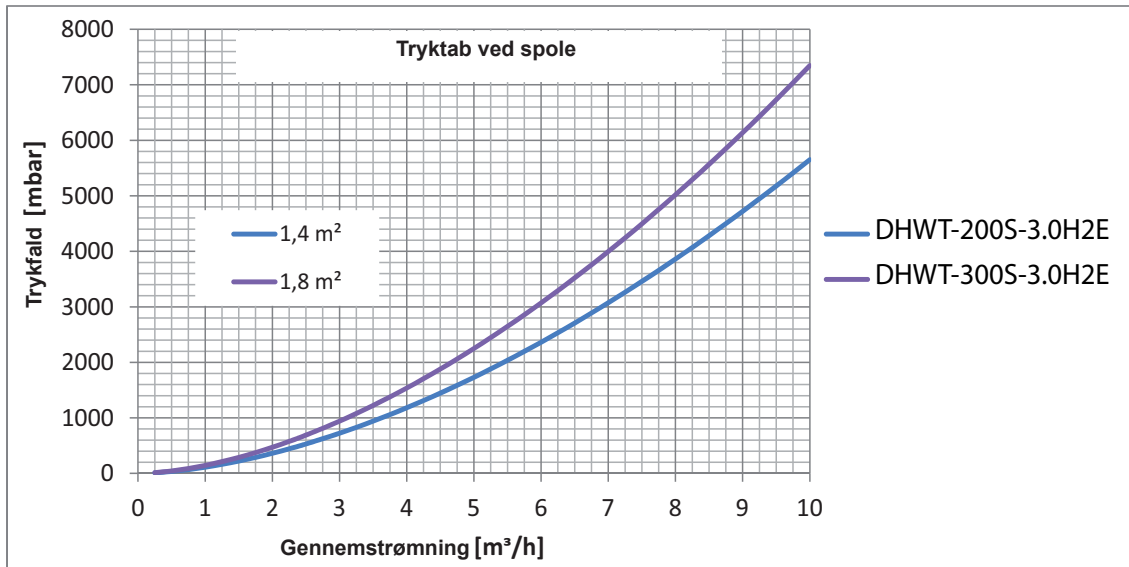
- Vandtryk og vandstrøm
- Lækage af vand
- Tilstrømning af fastgøringspunkt

! FORSIGTIG!

- Indtagets og udløbets forbindelsesrør skal være 1G"
- Den skal holdes i vandstrømmens retning, angivet i den tidligere tegning.

1	Sikkerhedsventilenhed for brugsvand
2	Ikke-retur ventil
3	Vandudløb 2
4	Recirkulationspumpe
5	Stophane
6	Afløb
7	Udskilning (luft)
8	Varmespiral

8.1 TRYKFALD



9 ELEKTRISK LEDNINGSFØRING

9.1 GENEREL KONTROL

- 1 Sørg for, at de elektriske komponenter, der leveres på stedet, (hovedkontakter, kredsløbsafbrydere, ledninger, forbindelsesstik, og ledningsklemmer) er valgt ud fra de angivne elektriske data. Sørg for, at de overholder nationale og lokale regler vedrørende el.
- 2 Elektrisk tilslutning skal udføres af fagkyndige installatører.
- 3 Kontrollér, at forsyningsspændingen ligger inden for +/-10 % af den nominelle spænding.
- 4 Kontrollér, at strømforsynings impedans er tilstrækkelig lav til at garantere, at startspændingen ikke reduceres mere end 85 % af den nominelle spænding.
- 5 Kontrollér, at jordledningen er korrekt forbundet, mærket og afsluttet i overensstemmelse med nationale og lokale bestemmelser.
- 6 Tilslut en sikring med den angivne kapacitet.
- 7 Kontrollér jævnlige den elektriske forbindelses tilstrømning.

⚠ FORSIGTIG!

- Kontrollér, at skruerne til klemmebrættet er skruet godt fast.
- Beskyt ledninger, afløbsrør, elektriske dele osv. mod rotter og andre skadedyr. Hvis disse dele ikke beskyttes, kan rotter beskadige ubeskyttede dele, og der kan i værste fald opstå brand.
- Vikl bred tape rundt om ledningerne, for at beskytte produktet imod kondensvand og insekter.
- Stram ledninger godt til med kabelklemmen inden i enheden.
- Før ledninger så de undgår at have kontakt med vandrørene.
- Vikl bred tape rundt om ledningerne fra systemets styreenhed.

⚠ FARE

- Forbind eller juster ikke nogen ledninger eller forbindelser, undtagen hvis hovedafbryderen er slået fra.
- Når der findes mere end én afbryder til at tænde og slukke (ON/OFF), skal det kontrolleres, at alle er slukkede (OFF).

9.2 KABELTYKKELSE

Anbefalede minimumtykkelser for kabler, der leveres på stedet.

Model	Strømforsyning	Maks. strøm	Tykkelse på strømforsyningskablet til det elektriske varmelegeme	Sensor kabelstørrelse
			EN60 335-1	EN60 335-1
Varmtvandsbeholder	1~ 230V 50Hz	15A	2,5mm ²	0,75 mm ²

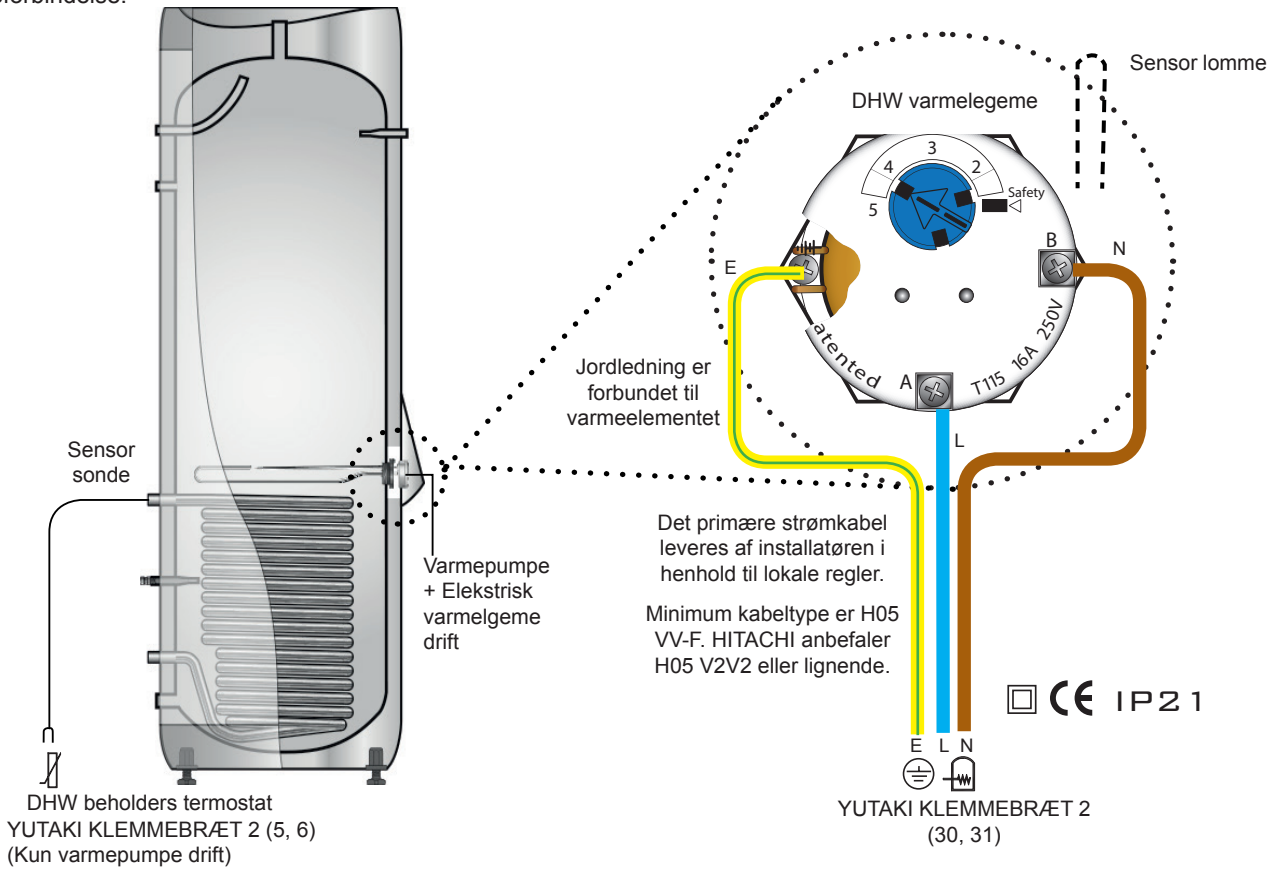
i BEMÆRK

- Følg de lokale bestemmelser og retningslinjer ved valg af ledninger, afbrydere and fejlstrømsafbrydere.
- Brug ledninger af mindst samme tykkelse som almindeligt kraftigt og fleksibelt kabel, der er gummiisoleret, (kodebetegnelse H05RN-F).

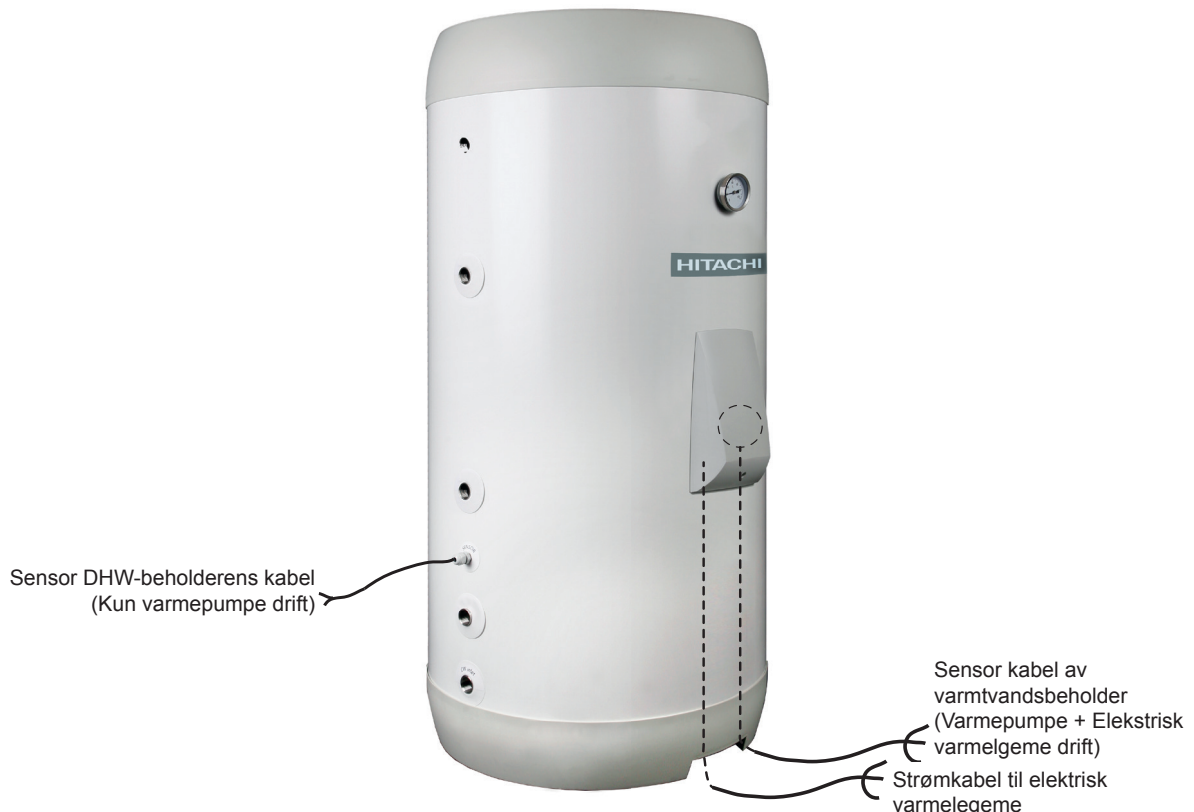
9.3 TILSLUTNING AF LEDNINGER

Den elektriske kabelføring mellem DHW-beholderen og YUTAKI anlægget er som følger:

Kundeforbindelse:



9.4 INTERN LEDNINGSFØRING



9.5 ELEKTRISK VARMELEGEME

Det elektrisk varmelegeme består af Incoloy legering 825 og overholder det europæiske lavspændingsdirektiv 2006/95/EF.

Det består af en flange, som har tre U-formede varmeelementer med 3,0 kw modstand.

9.6 ELEKTRISK INSTALLATION

9.6.1 Udskiftning af termostat/element

Afbryd strømforsyningen og det midterste elektriske dæksel. Sluk for vandforsyningen og afløbsmekanismen. Skru termostaten og elementets ledninger af.

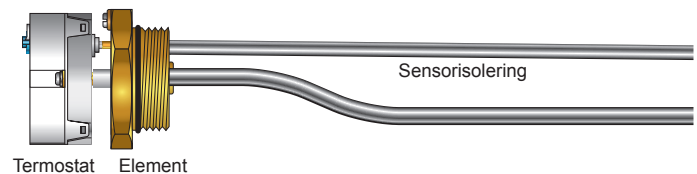
Hvis du kun ønsker at udskifte termostaten, kan ledningen på elementet blive siddende. Termostaten tages ud ved at trække den lige ud af dens fatninger på elementet.

Elementet kan derefter fjernes/udskiftes vha. værktøj til elementet. Sørg for, at o-ring pakningen på elementet sidder korrekt og ikke er beskadiget, inden du monterer element.

Fyld enheden helt op med vand og kontrollér, at elementet ikke lækker vand. Forbind ledningen til elementet. Installér termostaten ved at trykke den fast. Forbind de elektriske ledninger til termostaten.

Stram alle tilslutninger grundigt. Stram dem igen efter 3 måneder.

Den elektriske centrals dæksel skal sætte på igen og enheden skal fyldes med vand inden strømmen igen slås til.



9.7 FORHOLDSREGLER VEDR. SIKKERHED

- Inden enhver intervention skal koble DHW-beholderen fra hovedstrømforsyningen. Alle tilsluttede kredsløb skal frakobles.
- Installation, konfiguration, opstart og vedligeholdelse af varmeelementer skal udføres af en autoriseret elektrisk installatør. Alle standarder og regler skal overholdes.
- Brugeren er eneansvarlig for at sikre, at de vigtige krav i det europæiske lavspændingsdirektiv overholdes.
- Elektriske varmeelementer genererer høje temperaturer. Der skal træffes passende forholdsregler for at beskytte materialer og personer fra utilsigtet forbrænding under driften, samt efter udstyret er blevet frakoblet eller installeret.
- Bemærk: mindste kabelsnit:
- Modstand på 3,0 kw anbefalet kabel: H05SJ-K i henhold til UNE 21027, og vil skal et snit på mindst 2,5 mm².
- Beholderne skal være udstyret med en temperaturkontroltermostat til DHW-beholdere samt en alle-pol begrænsertermostat (indstillingen på disse to komponenter skal være kompatibel med konstruktionsparametrene for opbevaringsbeholdere).
- Vi anbefaler, at man installerer passende sikkerhedsmekanismer (sikkerhedsmekanisme for temperatur, sikkerhedsniveau for opvarmede væsker ved egen konvektion, sikkerhedsmekanismer for gennemstrømning af cirkulerende væsker, etc.)

10 OVERSIGT OVER SIKKERHED OG INDSTILLING AF KONTROLENHEDER

◆ Beskyttelse

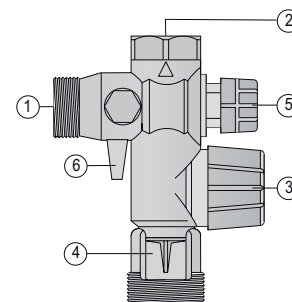
Denne kontakt afbryder driften af DHW-beholderen, når vandtemperaturen inden i DHW-beholderen overstiger 90°C.

Model	Enheder	Varmtvandsbeholder
Termostat		Manuel nulstilling
Slå fra	°C	90
Kontaktorer		
Strømstyrke	A	20 (AC1)
Spænding	V	230V
Varmemodstand		
Strøm	kW	3,0
Spænding	V	230V
Ø	mm	6,4
Modstande for hele kravemøtrikken til montering	"G	1-1/4"
Specifik varme	W/cm ²	14,2
Materiale		INCOLOY 825
Modstandsledning		Ni-Cr 80/20 Ø 0,45 mm
Varmtvandsbeholder sensor		NTC 20k

11 GENERELLE BEMÆRKNINGER VEDR. HYDRAULISK INSTALLATION

- Sikkerhedsventilenheden vil være monteret ved brugsvandsinstallationen.
- En trykdugler skal monteres i DHW-beholderinstallationen. Sikkerhedsventilens nominelle tryk vil være 8 bar.
- Når det primære tryk er over 6 bar, skal der monteres en trykdugler.
- Vandudladningen under opvarmning (ekspansion) er normal. Mængden af denne udladning kan være op til 3% af opbevaringsbeholderens kapacitet.
- Trykregulatoren skal anvendes regelmæssigt, afhængig af vandkvaliteten for at fjerne kalkaflejringerne og kontrollere for blokade.
- Der kan opstå vandlækage i trykkontrolanordningen. Udladningsrøret skal altid være åbent til det fri, fri for frost og i konstant nedadgående hældning.
- Der skal monteres dielektriske bøsninger ved indgang og udgang af husholdningsvand og ved beholderens kredsløbstilslutninger.
- Tømning af DHW-beholderen: Luk det primære vandindtag og åbn udligningsventilen til sikkerhedsvandsystemet.

Ref.	Navn
①	Primært vandindtag
②	DHW-beholderens vandindløb tilslutning
③	Sikkerhedsventil og manuel tømning
④	Tømmetilslutning
⑤	Kontraventil
⑥	Lukkeventil



1 ALGEMENE INFORMATIE

Geen enkel deel van deze publicatie mag worden gereproduceerd, gekopieerd, opgeslagen of overgedragen in welke vorm of formaat ook, zonder de toestemming van HITACHI Air Conditioning Products Europe, S.A.U.

In het kader van haar beleid om haar producten continu te verbeteren, behoudt HITACHI Air Conditioning Products Europe, S.A.U. zich het recht voor om op elk moment wijzigingen aan te brengen zonder voorafgaande kennisgeving en zonder verplicht te zijn om deze wijzigingen ook te introduceren in later verkochte producten. Derhalve kan dit document wijzigingen

hebben ondergaan gedurende de levensduur van het product.

HITACHI probeert correcte en geactualiseerde documentatie te leveren. Drukfouten kunnen echter niet altijd worden vermeden door HITACHI en zij neemt daar dan ook geen verantwoordelijkheid voor.

Tengevolge hiervan verwijzen sommige beelden of gegevens, opgenomen in dit document ter illustratie, niet altijd naar specifieke modellen. Klachten op basis van gegevens, illustraties en beschrijvingen in deze handleiding worden niet geaccepteerd.

2 VEILIGHEID

2.1 GEBRUIKTE SYMBOLEN

Tijdens het ontwerpen van warmtepompsystemen of het installeren van apparaten moet extra aandacht besteed worden aan situaties die om speciale aandacht vragen, om letsel van personen en schade aan apparatuur, installaties of gebouwen te voorkomen.

Als er zich situaties voordoen die de veiligheid van personen die zich in de buurt van het airconditioningsysteem bevinden in gevaar brengt, of nadelig zijn voor het airconditioningsysteem, dan worden deze duidelijk in deze handleiding vermeld.

Deze omstandigheden worden met een aantal speciale symbolen aangeduid.

Let goed op deze symbolen en de daarbij behorende informatie, want uw eigen veiligheid en die van anderen hangt ervan af.

GEVAAR

- *De informatie en aanwijzingen bij dit symbool zijn van rechtstreeks belang voor uw veiligheid en welzijn.*
- *Als u geen rekening houdt met de genoemde aanwijzingen, kan dit tot ernstig, zeer ernstig of zelfs dodelijk letsel leiden voor uzelf of anderen in de nabijheid van de unit.*

De teksten behorende bij het gevaarsymbool bevatten tevens informatie over hoe u tijdens de installatie van het airconditioningsysteem op een veilige manier werkzaamheden aan het airconditioningsysteem kunt uitvoeren.

LET OP

- *De informatie en aanwijzingen bij dit symbool zijn van rechtstreeks belang voor uw veiligheid en welzijn.*
- *Als u geen rekening houdt met de genoemde aanwijzingen, kan dit tot licht lichamelijk letsel leiden voor uzelf of anderen in de nabijheid van de unit.*
- *Als u geen rekening houdt met deze aanwijzingen, kan dit tot schade aan de unit leiden.*

De teksten behorende bij het waarschuwingssymbool bevatten tevens informatie over hoe u tijdens de installatie van het airconditioningsysteem op een veilige manier werkzaamheden aan het airconditioningsysteem kunt uitvoeren.

OPMERKING

- *De tekst bij dit symbool bevat informatie of instructies die nuttig zijn of extra uitleg bieden.*
- *Zij bevat mogelijk ook aanwijzingen voor de inspectie van onderdelen of deelsystemen van de units.*

2.2 AANVULLENDE INFORMATIE OVER VEILIGHEID

GEVAAR

- **ALVORENS DE BINNENUNIT EN DE WARMWATERKETEL AAN TE SLUITEN OP DE VOEDINGSSPANNING, MOET U EERST BEIDE CIRCUITS MET WATER VULLEN, DE WATERDRUK CONTROLEREN EN CONTROLEREN OF ER GEEN LEKKAGE IS.**
- **Giet geen water over de elektrische onderdelen van de unit. Als de elektrische componenten in contact komen met water, kan dit een ernstige elektrische schok veroorzaken.**
- **Raak geen beveiligingen in de lucht/water-warmtepomp aan en pas ze niet aan. Als deze instrumenten worden aangeraakt of gewijzigd, kan dit leiden tot ernstige ongelukken.**
- **Schakel bij brand de hoofdschakelaar UIT, blus onmiddellijk het vuur en neem contact op met uw onderhoudsleverancier.**
- **Zorg ervoor dat de warmwaterketel niet per vergissing zonder water of zonder lucht in het hydraulische systeem in werking gesteld kan worden.**

LET OP

- *Gebruik geen spuitbussen zoals insecticide, lak, haarlak of andere brandbare gassen binnen een straal van ongeveer één meter van het systeem.*
- *Als de zekeringautomaat of zekering vaak wordt geactiveerd, schakel het systeem dan uit en neem contact op met uw onderhoudsleverancier.*
- *Verricht zelf geen onderhouds- of inspectiewerken. Dit werk dient te worden uitgevoerd door een erkend onderhoudstechnicus.*
- *Dit apparaat mag alleen worden bediend door volwassen en competente personen die technische informatie of aanwijzingen over de juiste en veilige bediening van het apparaat hebben ontvangen.*
- *Kinderen moeten onder toezicht staan om te voorkomen dat ze spelen met het apparaat.*
- *Steek geen vreemde materialen in de waterinlaat en -uitlaat van de warmwaterketel.*

2.3 BELANGRIJKE MEDEDELING

- Aanvullende informatie over het gekochte product is beschikbaar op een cd-rom, die wordt meegeleverd met de binnenunit. Als deze cd-rom ontbreekt of niet leesbaar is, neem dan contact op met uw HITACHI-distributeur.
- LEES DE HANDLEIDING EN DE BESTANDEN OP DE CD-ROM ZORGVULDIG DOOR VOORDAT U AAN DE INSTALLATIE VAN DE LUCHT/WATER-WARMTEPOMP BEGINT. Als u de instructies voor de installatie, het gebruik en de werking zoals beschreven in deze documentatie niet opvolgt, kan dit leiden tot een slechte werking van het systeem, met inbegrip van ernstige storingen en zelfs de vernieling van het lucht/water-warmtepompsysteem.
- **Dit document bevat informatie over de HITACHI-warmwaterketel. De HITACHI warmwaterketel van worden aangesloten op de YUTAKI S/S80-binnenunit TYPE 1 of YUTAKI M. Raadpleeg de handleiding (verwarmingsinformatie) of de met de unit meegeleverde cd-rom voor meer gedetailleerde informatie over het systeem.**
- Controleer met behulp van de handleidingen van de buitenunit, de binnenunit en de warmwaterketel of alle informatie die nodig is voor een juiste installatie van het systeem aanwezig is. Neem contact op met uw distributeur als dit niet het geval is.
- HITACHI streeft ernaar de uitvoering en prestaties van producten voortdurend te verbeteren. Daarom behoudt HITACHI zich het recht voor specificaties te wijzigen zonder voorafgaande kennisgeving.
- HITACHI kan niet alle mogelijke omstandigheden voorzien die potentieel gevaarlijk zijn.
- Deze handleiding of een gedeelte ervan mag niet zonder schriftelijke toestemming worden vermenigvuldigd.
- Neem bij vragen contact op met uw onderhoudsleverancier van HITACHI.
- Controleer of de uitleg in de verschillende delen van deze handleiding overeenkomt met het model van uw warmwaterketel.
- Raadpleeg de codering van de modellen om de belangrijkste kenmerken van uw systeem te bevestigen.
- Bepaalde woorden (OPMERKING, GEVAAR en LET OP) duiden op verschillende niveaus van gevaar. De definities voor het identificeren van de risiconiveaus vindt u in de eerste pagina's van dit document.
- De bedrijfsmodi van deze units worden geregeld door de besturing.
- U dient deze handleiding te beschouwen als een vast onderdeel van het systeem. Deze handleiding geeft een algemene beschrijving en informatie die geldt voor zowel de unit die u gebruikt als voor andere modellen.
- Houd de watertemperatuur van het systeem boven het vriespunt.

	Min.	Max.
Bedrijfstemperatuur ketel	Zonder bevrozing	75°C

- U dient deze handleiding te beschouwen als een vast onderdeel van de warmwaterketel. Deze handleiding verstrekt een algemene beschrijving en informatie over de warmwaterketel.
- Het secundaire circuit (tapwater circuit) moet worden voorzien van een druk- en temperatuurafblaasklep (ingestelde druk 7 bar; ingestelde temperatuur 90°C).
- De afvoerleiding van de veiligheidsklep moet naar een afvoer leiden, maar mag niet direct op de afvoer aan worden gesloten.
- Het primaire circuit (verwarmingswater circuit) moet worden uitgerust met een veiligheidsklep die is ingesteld op maximaal 3 bar. Nadat de ketel is geïnstalleerd, vul eerst het secundaire circuit (huishoudelijk water) en breng deze vervolgens onder druk.
- Na het uitvoeren van stap 4, vul het primaire circuit.
- Als de hoofdleiding niet een roestvrij stalen buis is, moeten er diëlektrische doorvoeren aangebracht worden op de aansluitingen van het secundaire circuit.
- Als de koud water inlaatdruk hoger is dan de ontwerpdruk van het systeem, moet er een drukverlager worden aangebracht met een ingestelde druk van minder dan de ontwerpdruk.
- Om bij opslagsystemen met nachttarief warmteverlies via de warmwaterleidingen te voorkomen, moet een anti-thermische sifon worden geïnstalleerd op de uitlaat van de opslagtank. De warmwaterleiding moet worden geïsoleerd (minstens tot de anti-thermische sifon).
- Retourcircuits moeten worden vermeden indien ze van koper zijn gemaakt.
- Deze installatie is onderworpen aan bouwtechnische goedkeuring, stel de de lokale overheid op de hoogte van de installatie.
- Laat de handleiding achter bij de huishouder na installatie.
- De afblaaskleppen mogen voor geen andere doeleinden worden gebruikt dan waarvoor ze bedoeld zijn.
- Overhevelen van water uit het secundaire circuit (instructies):
 - Isoleer de tank van de netdruk, dat wil zeggen door middel van een afsluitklep in de koud water inlaat.
 - Open de veiligheidsklep van de ketel.
 - De warmwaterketel wordt geleegd door middel van een heveleffect, via de afvoerbuis van de veiligheidsklep die is aangesloten op de inlaatbuis voor koud water aan de onderkant van de ketel.

3 INSTALLATIE

3.1 PRODUCTGIDS

Type unit: Warmwaterketel								
Capaciteit (L) 200-200 liter								
S = Roestvrij staal								
Koppelteken als scheidingsteken (vast)								
3,0 kW								
Elektrische verwarming								
Reeksen								
E= Gefabriceerd in Europa								
DHWT	XXX	S	-	3,0	H	2	E	

3.2 ALGEMENE OPMERKINGEN

3.2.1 Onderdelen bij ontvangst



Warmwaterketel DHWT-(200/300)S-3.0H2E is een roestvrij stalen indirecte boiler. Het product is ontworpen voor het verwarmen van tapwater uit een externe warmtebron zoals een warmtepomp.

Pak het product zorgvuldig uit om schade te voorkomen. Installeer het product op een vlakke ondergrond die het volle gewicht van het product kan dragen wanneer deze gevuld is met water. Pas de fabriekmatig gemonteerde verstelbare voeten aan indien nodig. Dit product moet rechtopstaand en waterpas worden geïnstalleerd. Alle leidings- en elektriciteitswerken moeten worden uitgevoerd door bevoegde installateurs.

Alvorens de unit met water te vullen is het raadzaam om de elektrische voedingskabel aan te sluiten, zie ["9.5 Elektrisch verwarmingselement"](#).

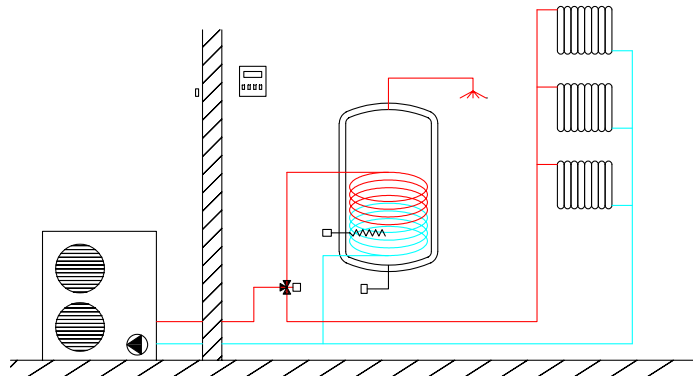
Op schuine vloeren moet het apparaat rechtop en waterpas worden geïnstalleerd door middel van aanpassing van de ingebouwde voeten. Units moeten stevig aan de muur worden bevestigd.

Dit apparaat is bedoeld om permanent op de waterleiding te worden aangesloten.

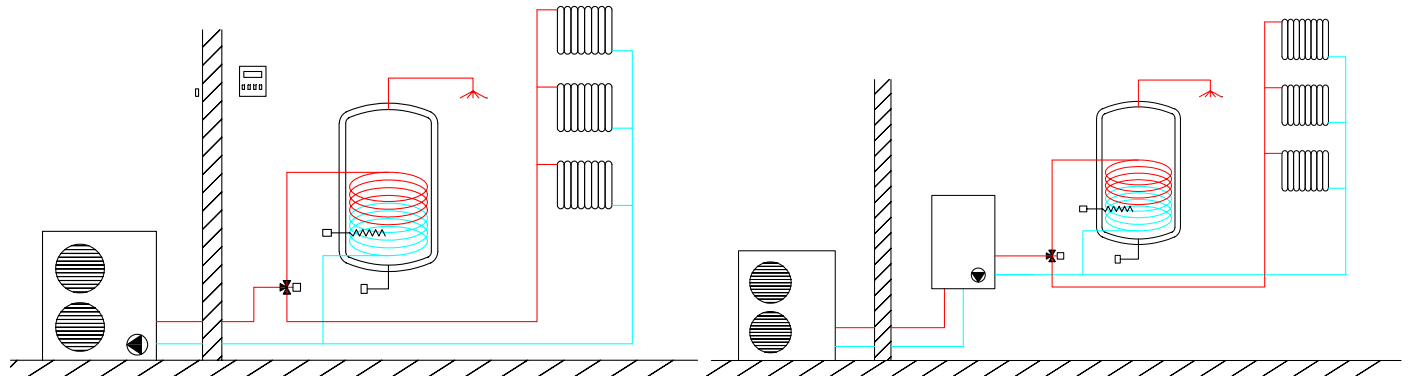
Alleen NBI 06870/387 goedgekeurde veiligheidskleppen mogen voor dit product worden gebruikt.

3.3 INSTALLATIEVOORBEELDEN

◆ YUTAKI M verwarmingsinstallaties



◆ YUTAKI S en S80 verwarmingsinstallaties



i OPMERKING

Zie de installatiehandleiding voor Yutaki System voor meer informatie.

4 ELEMENTAIRE PROBLEMEN OPLOSSEN

! LET OP

- Wanneer er water lekt, dient u het systeem uit te schakelen en contact op te nemen met de onderhoudsleverancier.
- Wanneer u brandlucht ruikt of wanneer er witte rook uit de warmwaterketel komt, schakel het systeem uit en neem contact op met uw onderhoudsleverancier.

◆ SYSTEEM WERKT NIET

- Controleer of bij SET TEMPERATURE van het YUTAKI systeem de juiste temperatuur is ingesteld.
- Controleer de elektrische aansluiting tussen de unit en de warmwaterketel (werking van de zekeringen of circuitonderbrekers).
- Controleer de temperatuur van het water en of de thermostaat eventueel is uitgeschakeld (indien hoger dan 90°C > thermostaat wordt uitgeschakeld).
- Controleer de druk en de stroming van het water (minimaal 0,1 MPa).
- Controleer of de handmatige thermostaat van de DHWT is ingesteld op het maximale instelpunt door de YUTAKI systeembesturing (controleer de instelwaarde in de anti-legionellafunctie).

◆ VERWARMT NIET GOED

- Controleer op obstructies van de waterstroom in het watercircuit.
- Controleer of de waterdruk binnen het bereik valt.
- Controleer de elektrische aansluiting tussen de controller en de warmwaterketel.
- Als de verwarming niet werkt, controleer dan het verwarmingselement.

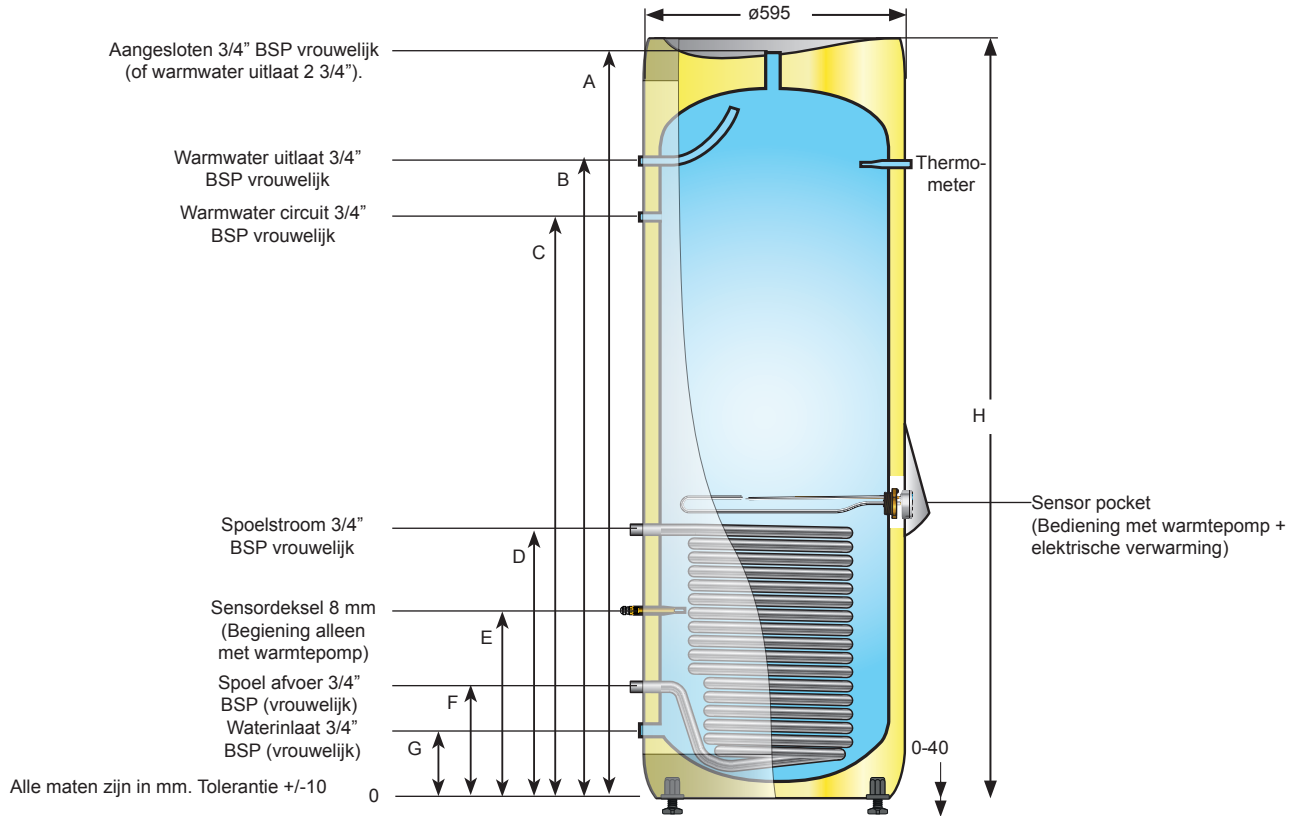
◆ ALS ZICH PROBLEMEN BLIJVEN VOORDOEN...

Als u deze factoren hebt gecontroleerd en eventueel gecorrigeerd, maar er doen zich nog steeds problemen voor, neem dan contact op met uw onderhoudsleverancier en geef de volgende gegevens door:

- Naam van model
- Beschrijving van de storing

5 MAATTEKENINGEN

5.1 DHWT(200/300)S-3.0H2E

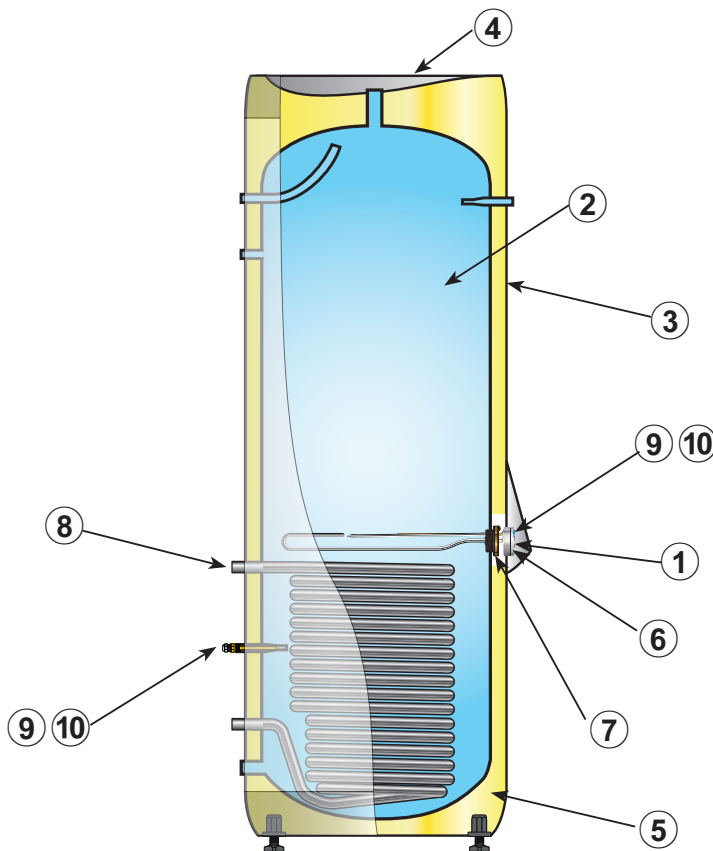


Code	Model	Capaciteit personen	Gewicht (kg)	Opslagvolume (m ³)	Opwarmingstijd uur Δt 65°C	Volume (L)	Warmteverlies (W)	Energielabel ErP
70544002	DHWT-200S-3.0H2E - 3kW/1x230V + spoel 1,4m ²	3,0	53	0,46	VP \leq 10kW	194	47,3	B
70544003	DHWT-300S-3.0H2E - 3kW/1x230V + spoel 1,8m ²	5,0	63	0,62	VP \leq 12kW	284	62,8	B

Afmetingen	DHWT-200S-3.0H2E	DHWT-300S-3.0H2E
A	1265	1745
B	977	1457
C	842	1322
D	677	867
E	482	594
F	267	267
G	156	156
Diameter x Hoogte (mm)	$\phi 595 \times 1270$	$\phi 595 \times 1750$

6 NAMEN VAN ONDERDELEN

6.1 DHWT(200/300)S-3.0H2E



Ref.	Aantal	Naam
①	1	Inspectieopening
②	1	Opslagtank warm water
③	1	Externe behuizing
④	1	Bovendeksel
⑤	1	Thermische isolatie
⑥	1	Besturingspaneel
⑦	1	Elektrisch verwarmingselement
⑧	1	Verwarmingsbatterij
⑨	1	Sensorkop
⑩	1	Sensor warmwaterketel

7 INSTALLATIE VAN DE UNIT

Zet het product zo dicht mogelijk bij de plaats van installatie voordat u het uitpakt.

Controleer de inhoud van de verpakking:

- Warmwaterketel model
- Installatie- en bedieningshandleiding en Documenten

7.1 SELECTIEPROCEDURE VOOR WARMWATERKETELS

⚠ LET OP

- De warmwaterketel is ontworpen voor installatie binnenshuis.
- De warmwaterketel dient door professionele installateurs te worden gemonteerd.
- Houd bij installatie van de warmwaterketel voldoende ruimte vrij rond het apparaat voor bediening en onderhoud zoals weergegeven in de volgende afbeeldingen.
- Installeer de warmwaterketel op een locatie met voldoende ventilatie. Installeer de warmwaterketel niet op een locatie met veel oliedampen, zoute lucht of een zwavelhoudende atmosfeer.
- Wanneer het apparaat in een gesloten ruimte met onvoldoende ventilatie wordt gebruikt, kan dit leiden tot zuurstofgebrek. Giftig gas kan vrijkomen wanneer reinigingsmiddelen worden verhit, bijvoorbeeld bij blootstelling aan vuur.
- Installeer de warmwaterketel niet in de nabijheid van ontvlambare stoffen.
- Wanneer u een ander apparaat naast de warmwaterketel installeert, dient er een afstand van meer dan 500 mm te worden gehouden tussen het apparaat en de warmwaterketel.

7.2 WERKRUIJTE

- Controleer of de warmwaterketel in verticale positie is geïnstalleerd.
- Gebruik bij het reinigen enkel niet-ontvlambare, niet-giftige reinigingsmiddelen. Het gebruik van ontvlambare stoffen kan ontploffing of brand veroorzaken.
- Verwijder na reiniging alle reinigingsvloeistof.
- Zorg dat er geen kabels verstrikt geraken bij het sluiten van de behuizing van de elektrische box. Dit zou een elektrische schok kunnen veroorzaken.

7.3 WATERTOEVOER CONTROLE

Bron- of rivierwater kan in sommige gevallen grote hoeveelheden zwevende deeltjes, organische stoffen en kalk bevatten. Daarom dient dergelijk water gefilterd of verzacht te worden met chemische producten alvorens het gebruikt kan worden voor de warmwaterketel.

Ook dient de kwaliteit van het water gecontroleerd te worden op pH, elektrisch geleidend vermogen, ammoniak-ionen, zwavel en andere stoffen. De aanbevolen standaard kwaliteit van het water is:

Item	Toevoerwater warmwaterketel
Chlorine-ion (mg Cl ⁻ /l)	Minder dan 150
Elektrisch geleidend vermogen (µs/cm)	100~2000
Totale hardheid (mg CaCO ₃ /l)	60~150
Sulfaatgehalte (mg/l)	max 250

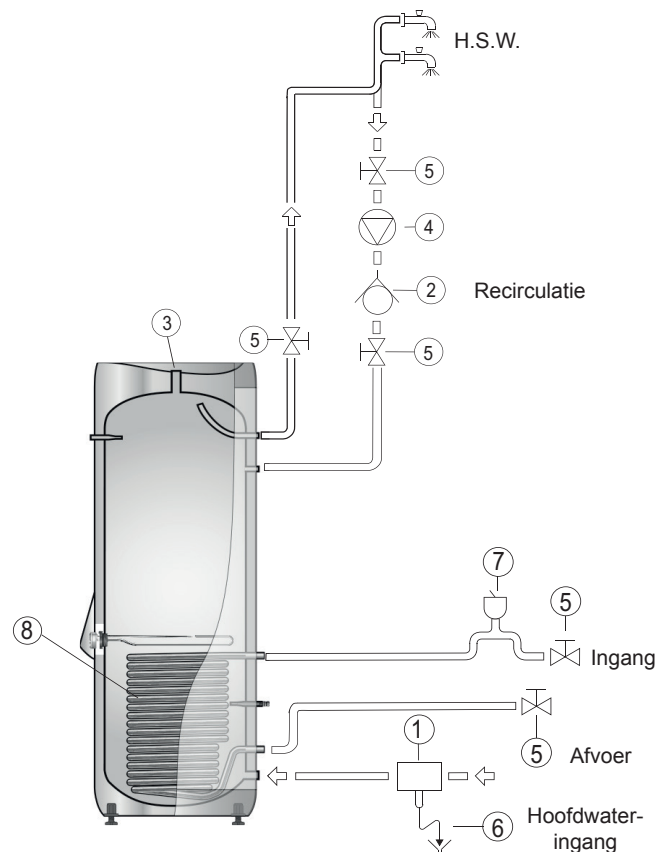
i OPMERKING

De waterwaarden zijn in overeenstemming met s/UNE 112076:2004 IN.

8 HYDRAULISCH CIRCUIT

Wanneer de leidingen worden aangesloten:

- 1 Sluit alle leidingen zo dicht mogelijk bij de unit aan, zodat ze indien nodig gemakkelijk losgekoppeld kunnen worden.
- 2 Het is raadzaam om buigzame verbindingen te gebruiken voor de inlaat- en uitlaatleidingen, zodat trillingen niet worden overgedragen.
- 3 Installeer schuifventielen waar mogelijk, om zo de stromingsweerstand te minimaliseren en voldoende waterstroming te behouden.
- 4 Het is raadzaam om kogelkleppen te gebruiken in beide waterleidingaansluitingen, om gemakkelijk onderhoudswerk te kunnen uitvoeren.
- 5 Het systeem moet grondig worden geïnspecteerd op lekkage binnen en buiten het systeem door de inlaat- en uitlaatventielen van het warme water naar de watercondenser volledig te openen.
- 6 De warmwaterketel moet volledig ontlucht worden om te voorkomen dat de verwarmingselementen de behuizing van de ketel verwarmen als er geen water in zit.
- 7 Wikkel thermische isolatie rond het leidingen van het hydraulische systeem, om eventuele brandwonden door de hete leidingen te voorkomen en om het warmteverlies te verminderen.
- 8 Wanneer het apparaat voor een langere periode uitgeschakeld blijft en de omgevingstemperatuur erg laag is, zou het water in de leidingen en in de circulatiepomp kunnen bevriezen, wat schade aan de leidingen en de pomp kan berokkenen. Om dit te vermijden is het raadzaam om vooraf het water uit de installatie te draineren.



1	Sanitaire veiligheidsklep unit
2	Terugslagklep
3	Wateruitlaat 2
4	Recirculatiepomp
5	Afsluitklep
6	Afvoer
7	Ontluchter
8	Verwarmingsbatterij

i OPMERKING

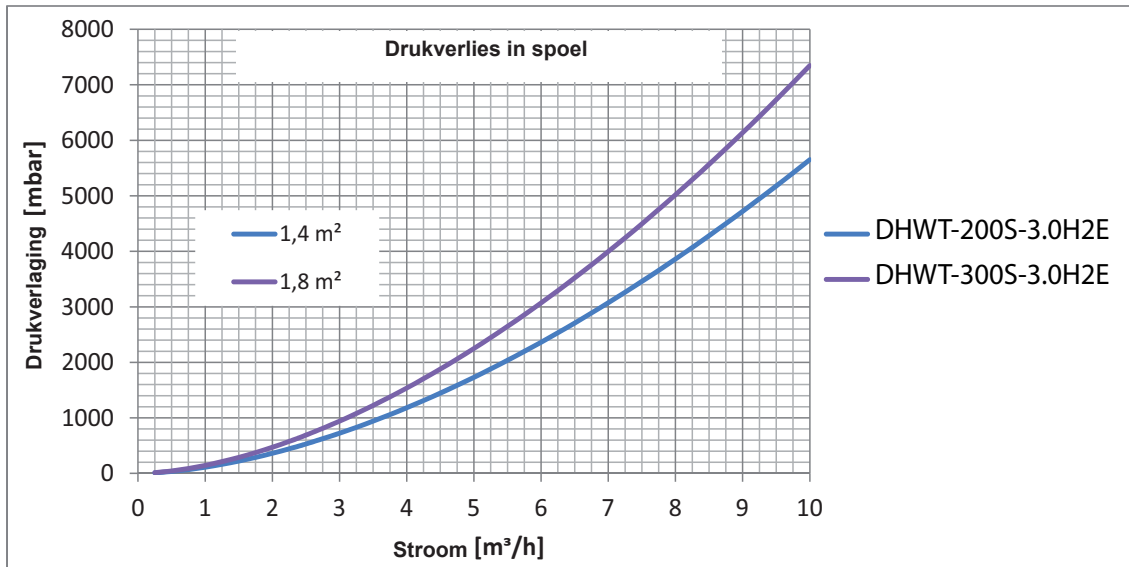
Controleer regelmatig:

- De stroming en de druk van het water
- Waterlekkages
- De vastheid van de verbindingpunten

! LET OP

- De inlaat- en uitlaatverbindingen moeten 1G" zijn.
- Het water dient in de richting te lopen die is aangegeven in het vorige schema.

8.1 DRUKVERLIEZEN



9 ELEKTRISCHE BEDRADING

9.1 ALGEMENE CONTROLE

- 1 Controleer of de ter plekke gekozen elektrische onderdelen (hoofdschakelaars, zekeringautomaat, draden, geleidingsaansluitingen en klemmen) overeenkomen met de vermelde elektrische specificaties. Controleer of deze onderdelen voldoen aan de nationale en regionale normen op gebied van elektriciteit.
- 2 De elektrische aansluiting moet door professionele installateurs worden uitgevoerd.
- 3 Controleer of de netvoedingspanning binnen +/-10% van de nominale spanning ligt.
- 4 Controleer of de impedantie van de netvoeding laag genoeg is om ervoor te zorgen dat de aanvangsspanning niet lager komt dan 85% van de nominale spanning.
- 5 Controleer of de aarddraad goed aangesloten, gemarkeerd en afgesloten is, in overeenstemming met nationale en lokale normen.
- 6 Gebruik zekeringen met het vermelde vermogen.
- 7 Controleer regelmatig de verbindingen van de elektrische aansluitingen.

⚠ LET OP

- Controleer of de schroeven van het klemmenblok stevig zijn vastgedraaid.
- Bescherm de draden, aftapleiding, elektrische onderdelen en dergelijke tegen ratten en andere kleine dieren. Ratten kunnen onbeschermde onderdelen beschadigen en zo kan in het ergste geval brand ontstaan.
- Wikkel de meegeleverde pakking rond de bedrading om het product te beschermen tegen condenswater en insecten.
- Maak de draden goed met de snoerklem aan de binnenkant van de unit vast.
- Leg de bedrading zo, dat ze niet in contact komt met waterleidingen.
- Wikkel de meegeleverde pakking rond de bedrading van de systeemcontroller.

⚠ GEVAAR

- **Het aansluiten of aanpassen van bedrading of andere verbindingen mag alleen uitgevoerd worden als de hoofdschakelaar UIT staat.**
- **Indien er meer dan één AAN/UIT-schakelaar is, controleer dan of ze allemaal UIT staan.**

9.2 KABELDIAMETER

Minimale aanbevolen maten per veld

Model	Voedingsbron	Max. stroom	Maat EV voedingskabel	Diameter sensorkabel
			EN60 335-1	EN60 335-1
Warmwaterketel	1~ 230V 50Hz	15A	2,5 mm ²	0,75mm ²

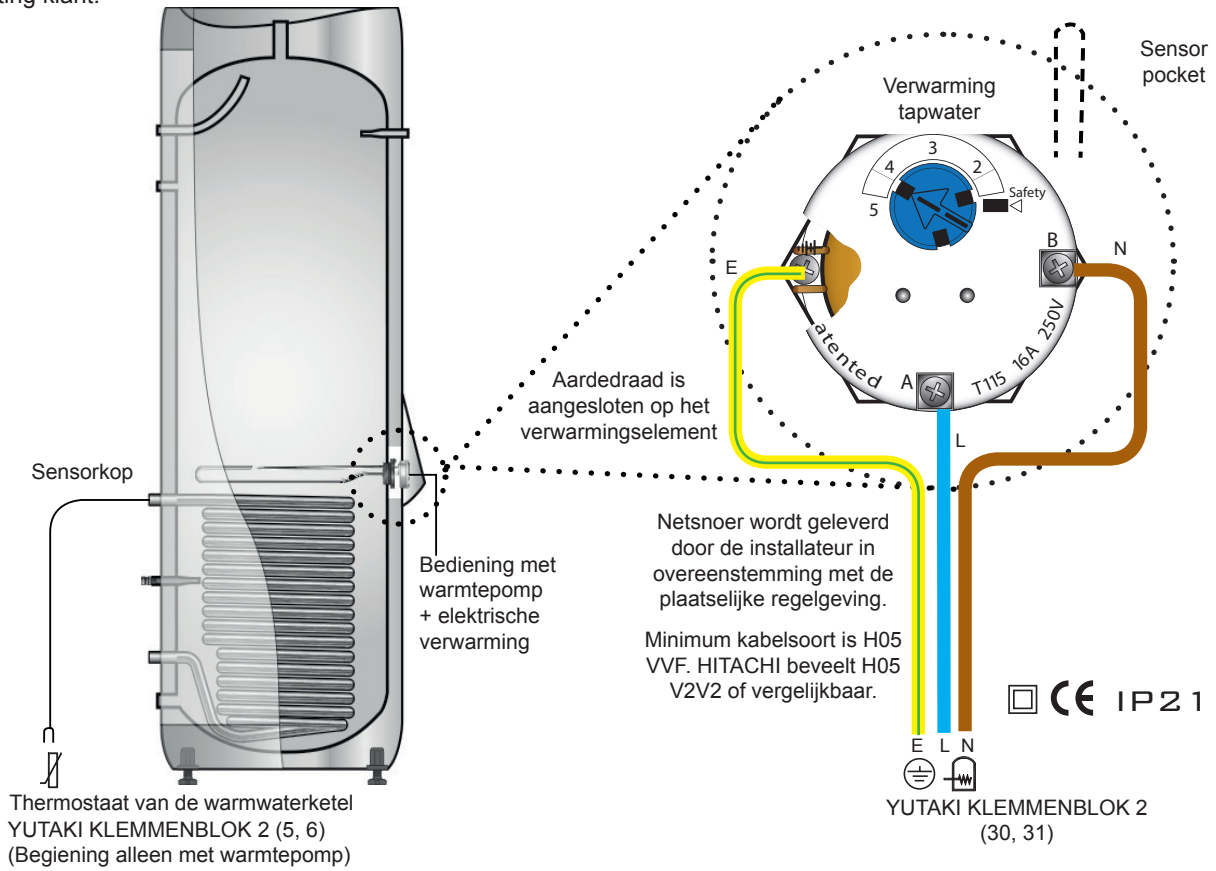
i OPMERKING

- Volg de lokale voorschriften en richtlijnen bij het kiezen van kabels, zekeringautomaat en aardlekschakelaars.
- Gebruik bedrading die niet lichter is dan het gebruikelijke, met polychloropreen beklede flexibele snoer (code H05RN-F).

9.3 AANSLUITING VAN ELEKTRISCHE BEDRADING

De elektrische bedrading tussen de warmwaterketel en het YUTAKI-systeem is als volgt:

Aansluiting klant:



9.4 INTERNE BEDRADING



9.5 ELEKTRISCH VERWARMINGSELEMENT

Het elektrisch verwarmingselement is gemaakt van Incoloy legering 825 en voldoet aan de Europese Laagspanningsrichtlijn 2006/95/EG.

Het bestaat uit een flens met drie-U-vormige verwarmingselementen voor 3,0kw weerstanden.

9.6 ELEKTRISCHE INSTALLATIE

9.6.1 Het vervangen van de thermostaat/element

Schakel de stroomvoorziening uit en verwijder de elektrische centrale kap. Schakel de watertoevoer uit en laat de unit leeglopen. Schroef de draden op de thermostaat en het verwarmingselement los.

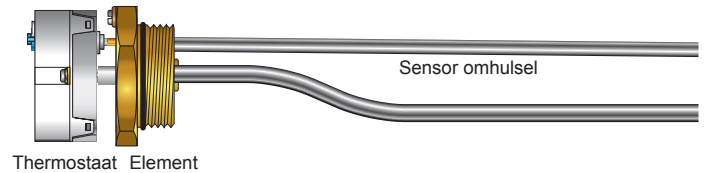
Als alleen de thermostaat wordt vervangen kan de draad op het verwarmingselement blijven zitten. De thermostaat wordt verwijderd door deze recht naar buiten te trekken uit zijn aansluitpunten op het element.

Het element kan vervolgens worden verwijderd of vervangen door middel van een element sleutel. Zorg ervoor dat de o-ring op het element op zijn plaats zit en niet beschadigd is alvorens het element te monteren.

Vul het apparaat helemaal met water en zorg ervoor dat het element niet lekt. Sluit de draad aan op het element. Installeer de thermostaat door er stevig op te drukken. Sluit de elektrische draden op de thermostaat aan.

Draai alle draden goed vast. Herhaal dit na drie maanden.

De elektrische centrale kap moet opnieuw worden gemonteerd en het toestel moet worden gevuld met water voordat de stroom wordt ingeschakeld.



9.7 VEILIGHEIDSMATREGELEN

- Zorg ervoor dat de warmwaterketel volledig is losgekoppeld van de netvoeding alvorens de werkzaamheden uit te voeren. Alle aansluitingen moeten worden losgekoppeld.
- Installatie, configuratie, opstarten en onderhoud van de verwarmingselementen moet worden uitgevoerd door een erkend installateur. Alle normen en voorschriften moeten in acht worden genomen.
- De gebruiker moet ervoor zorgen dat de essentiële eisen van de Europese Laagspanningsrichtlijn worden gerespecteerd.
- Elektrische verwarmingselementen genereren hoge temperaturen. Er moeten voorzorgsmaatregelen worden genomen om goederen en personen te beschermen tegen brand of brandwonden tijdens de operatie en na het loskoppelen of installeren van de apparatuur.
- Opmerking minimale kabeldoorsnede:
- Aanbevolen kabel voor weerstanden van 3,0 kw: H05SJ-K conform UNE 21027, en een doorsnede van minstens 2,5 mm².
- De ketel moet zijn uitgerust met een thermostaat voor temperatuurcontrole en een meerpolige beperkende thermostaat (de instelling van deze twee componenten moet compatibel zijn met de ontwerpparameters van opslagtanks).
- Wij raden aan om geschikte veiligheidsvoorzieningen te installeren (temperatuur veiligheidsvoorziening, veiligheidsniveau voor het verwarmen van vloeistoffen door natuurlijke convectorie, stroombeveiliging voor vloeistoffen in omloop, etc.)

10 VEILIGHEIDSSAMENVATTING EN BESTURINGSINRICHTING

◆ Bescherming

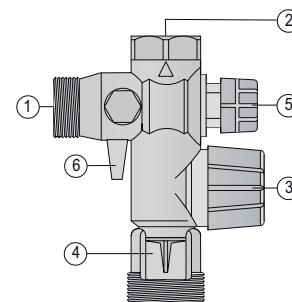
De warmwaterketel schakelt zichzelf uit wanneer de watertemperatuur hoger is dan 90°C.

Model	Eenheden	Warmwaterketel
Thermostaat		Handmatige reset
Uitschakelen	°C	90
Contactgevers		
Stroom	A	20 (AC1)
Spanning	V	230V
Verwarmingsweerstand		
Elektrisch vermogen	kW	3,0
Spanning	V	230V
Ø	mm	6,4
Flare-moer voor weerstanden	"G	1-1/4"
Specifieke verwarmingsbelasting	W/cm ²	14,2
Materiaal		INCOLOY 825
Weerstandskabel		Ni-Cr 80/20 Ø 0,45mm
Sensor warmwaterketel		NTC 20k

11 ALGEMENE STANDAARD VOOR HYDRAULISCHE INSTALLATIE

- De unit van de veiligheidsklep dient gemonteerd te worden bij de sanitaire waterinstallatie.
- Er moet een drukregelaar worden geplaatst in de installatie van de warmwaterketel. De nominale druk van de veiligheidsvoorziening moet 8 bar zijn.
- Wanneer de hoofddruk meer is dan 6 bar moet er een drukregelaar worden geïnstalleerd.
- Waterdrainage tijdens verwarming (expansie) is normaal. Het volume van deze drainage kan tot 3% van de opslagcapaciteit van de warmwaterketel zijn.
- Het drukregelaarapparaat moet regelmatig werken, afhankelijk van de kwaliteit van het water, om de kalkaanslag te verwijderen en blokkades te detecteren.
- Een waterlekkage in het drukbeschermingsapparaat kan zich voordoen. De afvoerleiding moet altijd zijn blootgesteld aan de atmosfeer, vorstvrij zijn en neerwaarts hellen.
- Di-elektrische bussen moeten aan de inlaat- en uitlaat van het tapwater en aan de circuitansluitingen van de warmwaterketel worden geïnstalleerd.
- Het leegmaken van de warmwaterketel: Sluit de belangrijkste water inlaatklep en open de veiligheidsklep.

Ref.	Naam
①	Primaire waterinlaat
②	Aansluiting waterinlaat warmwaterketel
③	Veiligheidsklep en handmatige aftapklep
④	Ledigingsverbinding
⑤	Terugslagklep
⑥	Afsluitklep



1 ALLMÄN INFORMATION

Ingen del av denna publikation får reproduceras, kopieras, arkiveras eller överföras i någon form utan tillstånd av HITACHI Air Conditioning Products Europe, S.A.U.

Inom riktlinjerna för kontinuerlig förbättring av sina produkter förbehåller sig HITACHI Air Conditioning Products Europe, S.A.U. rätten att göra ändringar vid vilken tidpunkt som helst, utan förvarning, samt utan att vara tvungna att införa dem i produkter som därefter säljs. Detta dokument kan därför ha varit föremål för ändringar under produktens livslängd.

HITACHI gör sitt yttersta för att erbjuda korrekt aktuell dokumentation. Oaktat detta kan inte HITACHI kontrollera tryckfel och är ej ansvarig för dessa.

Till följd av detta är det möjligt att en del bilder och information som används för att illustrera detta dokument inte hänvisas till särskilda modeller. Inga fordringar som grundar sig på information, illustrationer och beskrivningar i denna manual kommer att godkännas.

2 SÄKERHET

2.1 ANVÄNDA SYMBOLER

Under normal drift av värmepumpsystemet eller enhetsinstallation måste större uppmärksamhet visas i vissa situationer som kräver särskild hantering för att undvika personskador och skada på enheten, installationen, byggnaden eller egendomen.

Situationer som äventyrar säkerheten för personer i omgivningen eller som kan skada själva enheten anges tydligt i denna manual.

För att indikera dessa situationer används en serie av särskilda symboler för att tydligt identifiera dessa.

Var uppmärksam på dessa symboler och på följande meddelanden, då din egen och andras säkerhet kan äventyras.



FARA

- *Texten efter denna symbol innehåller information och anvisningar som är direkt relaterade till din säkerhet och hälsa.*
- *Om du inte beaktar dessa anvisningar kan detta leda till allvarliga, mycket allvarliga eller till och med livshotande skador på dig och andra personer som befinner sig i närheten av enheten.*

I texten under farosymbolen kan du också hitta information om säkra procedurer under installation av enheten.



VARNING

- *Texten efter denna symbol innehåller information och anvisningar som är direkt relaterade till din säkerhet och hälsa.*
- *Om du inte beaktar dessa anvisningar kan det leda till mindre skador på dig och andra personer som befinner sig i närheten av enheten.*
- *Om du inte följer dessa anvisningar kan det leda till skador på enheten.*

I text efter varningssymbolen kan du också hitta information om säkra procedurer under installation av enheten.



OBS!

- *Texten efter denna symbol innehåller information och anvisningar som kan vara användbara eller som kräver en noggrannare förklaring.*
- *Anvisningar gällande inspektioner som bör utföras av enhetsdelar eller system kan också inkluderas.*

2.2 YTTERLIGARE INFORMATION OM SÄKERHET



FARA

- **ANSLUT INTE STRÖMFÖRSÖRJNINGEN TILL INOMHUSENHETEN OCH VARMVATTENTANKEN (FÖR HUSHÅLLSBRUK) FÖRRÄN BÅDA KRETASARNA HAR FYLITS PÅ MED VATTEN OCH VATTENTRYCKET OCH EVENTUELL VATTENLÄCKA HAR KONTROLLERATS.**
- **Håll inte vatten över elektriska delar. Om de elektriska komponenterna kommer i kontakt med vatten förekommer en allvarlig elektrisk stöt.**
- **Ställ inte in och rör ej säkerhetsenheten inuti luft- och vattenvärmepumpen. Om dessa anordningar vidrörs eller justeras kan en allvarlig olycka inträffa.**
- **Om brand uppstår slår du AV huvudströmbrytaren och släcker elden. Kontakta sedan en servicetekniker.**
- **Försäkra att DHW-tankens inte aktiveras av misstag när varken vatten eller luft finns inuti det hydrauliska systemet.**



VARNING

- *Använd inte spray, till exempel insektsmedel, lackfärg, hårspray eller andra brandfarliga gaser inom cirka en meter från systemet.*
- *Om en automatsäkring eller smältsäkring ofta löses ut bör du stänga av systemet och kontakta en servicetekniker.*
- *Utför inga service- eller undersökningsåtgärder på egen hand. Detta arbete måste utföras av en kvalificerad servicetekniker.*
- *Denna apparat ska endast användas av vuxna och kunniga personer som har fått den tekniska information eller de instruktioner som är nödvändiga för att kunna hantera den säkert.*
- *Håll uppsikt över barn och låt dem inte leka med apparaten.*
- *För inte in något främmande föremål i vattenintaget eller vattenutloppet på DHW-tankens.*

2.3 VIKTIGT MEDDELANDE

- Ytterligare information om den förvärvade produkten finns på en CD-ROM som medföljer inomhusenheten. Om CD-ROM saknas eller är oläslig, vänligen kontakta er HITACHI-handlare eller återförsäljare.
- **LÄS IGENOM HANDBOKEN NOGGRANT INNAN DU PÅBÖRJAR INSTALLATIONEN AV LUFT/VÄRMEPUMPEN-SYSTEMET.** Om inte instruktionerna för installation, användning och drift som beskrivs i denna dokumentation följs kan det leda till driftfel, inklusive eventuellt allvarliga fel, eller till och med att luft/värmepumpsystemet förstörs.
- **Detta dokument innehåller information gällande HITACHIS varmvattentank för hushållsbruk. HITACHIS DHW-tank kan anslutas till YUTAKI S, YUTAKI S80 inomhusenhet TYP 1, eller YUTAKI M. Vänligen se handboken (uppvärmnings-information) eller CD ROM-skivan som medföljde enheten för fullständig information om systemet.**
- Kontrollera, i enlighet med handböckerna för inomhus- och utomhusenheterna och DHW-tanken, att all information som krävs för att korrekt utföra installationen av systemet finns med. Om så inte är fallet kontaktar du distributören.
- HITACHI försöker ständigt att förbättra produkternas design och prestanda. Företaget förbehåller sig därför rätten att ändra specifikationer utan föregående meddelande.
- HITACHI kan inte förutse varje möjlig omständighet som kan medföra en risk.
- Ingen del av denna handbok får återges utan skriftligt tillstånd.
- Kontakta en HITACHI-servicetekniker om du har några frågor.
- Kontrollera att förklaringarna i varje del av handboken gäller för modellen av din DHW-tank.
- Du kan hitta egenskaperna för ditt system under Modeller.
- Signalord (OBS, FARA och VARNING) används för att ange risknivåer. Definitioner för att identifiera risknivåer tillhandahålls på de första sidorna i detta dokument.
- Driftlägen för dessa enheter styrs av enhetens styrmodul.
- Denna handbok ska behandlas som en permanent del av systemet. Den ger en allmän beskrivning samt information för både detta aggregat och andra modeller.
- Bibehåll vattentemperaturen i systemet över fryspunkten.

	Min.	Max.
Tankens drifttemperatur	Utan frysning	75°C

- Denna handbok ska behandlas som en permanent del av DHW-tanken. Denna handbok ger en allmän beskrivning och information om denna DHW-tank.
- Den sekundära kretsen (tappvattenkretsen) skall monteras med en säkerhetsventil för tryck och temperatur (tryckinställning 7 bar; temperaturinställning 90°C).
- Säkerhetsventilens avdunstningsrör måste leda till ett avlopp men röret skall inte vara direkt anslutet till avloppet.
- Den primära kretsen (varmvattenkretsen) skall monteras med en säkerhetsventil inställd på maximalt 3 bar. När tanken väl är installerad skall först den sekundära kretsen fyllas (hushållsvatten) och förses med tryck.
- När steg 4 har slutförts skall den primära kretsen fyllas.
- Om huvudröret inte är av rostfritt stål måste dielektriska borstar monteras på de sekundära kretsanslutningarna.
- Om kallvattnets inloppstryck överstiger utrustningens konstruktionstryck måste en tryckreducerare med en tryckinställning på mindre än konstruktionstrycket monteras.
- För att förhindra värmeförlust i varmvattenrör i ackumuleringsystem med nattläge skall en anti-termisk sifon monteras vid förvaringstanken utlopp. Varmvattenröret ska isoleras (åtminstone upp till den anti-termiska sifonen).
- Undvik returkretsar vid användning av koppar.
- För att utföra denna installation krävs ett bygglov, kontakta de lokala myndigheterna före installation.
- Lämna handboken hos ägaren efter installation.
- Anslutningarna till säkerhetsventilerna ska inte användas för andra ändamål.
- Utsugning av vatten från den sekundära kretsen (instruktioner):
 - Isolera tanken från nättrycket, med t.e.x. en avstängningsventil på kallvattenloppet.
 - Öppna tankens säkerhetsventil.
 - Den varma sanitära vattentanken töms med sifoneffekt via säkerhetsventilens utloppsrör som sitter på kallvattnets inloppsrör på tankens undre del.

3 INSTALLATION

3.1 PRODUKTGUIDE

Enhetstyp: Varmvattentank för hushållsbruk								
Kapacitet (L) 200-300 liter								
S= Rostfri								
Separerande bindestreck (fast)								
3,0 kW								
Elektrisk värmare								
Serier								
E = Tillverkad i Europa								
DHWT	XXX	S	-	3,0	H	2	E	

3.2 ALLMÄNNA ANTECKNINGAR

3.2.1 Komponenter vid mottagning



DHWT-(200/300)S-3.0H2E är en varmvattenberedare av rostfritt stål. Produkten är avsedd för uppvärmning av vatten för hushållsbruk genom en extern värmekälla såsom en värmepump.

Packa upp produkten varsamt för att undvika skador. Installera produkten på ett plant och jämnt underlag som kan bära tyngden av produkten när den är fylld med vatten. Använd de fabriksmonterade justerbara fötterna vid behov. Produkten måste installeras i en upprätt/rak position. Allt elektriskt arbete måste utföras av en auktoriserad installatör.

Vi rekommenderar att montera strömkabeln innan enheten fylls med vatten, se ["9.5 Elektrisk värmare"](#).

På ojämnt underlag skall de inbyggda fötterna användas för att installera apparaten upprätt och rakt. Enheterna måste vara ordentligt fastsatta på väggarna.

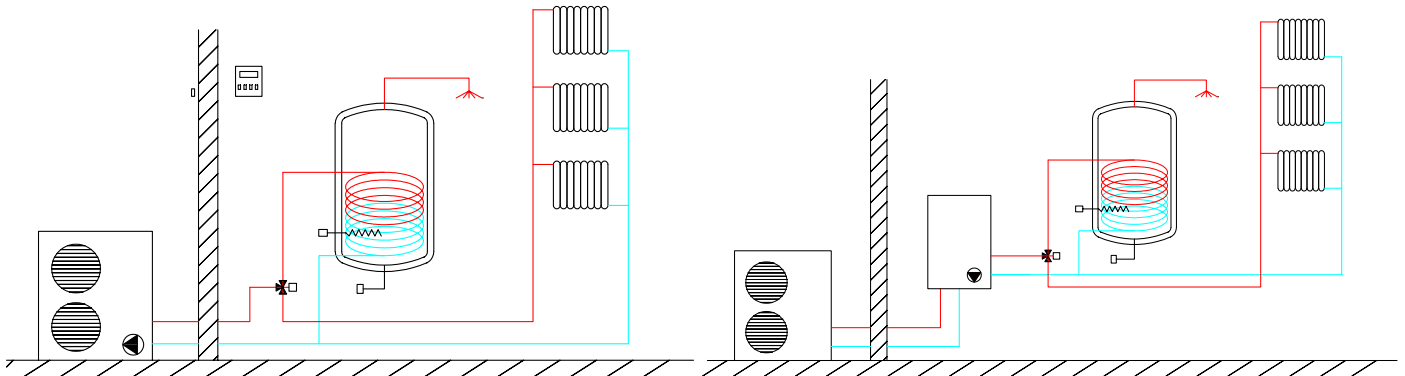
Apparaten är avsedd att vara permanent ansluten till huvudvattenledningen.

Endast säkerhetsventil känd av NBI 06870/387 skall användas med denna produkt.

3.3 INSTALLATIONSEXEMPEL

◆ YUTAKI M uppvärmningsinstallationer

◆ YUTAKI S och S80 uppvärmningsinstallationer



i OBS!

Se installationsmanualen Yutaki System för mer information.

4 GRUNDLÄGGANDE FELSÖKNING

! VARNING

- Om vattenläckage uppstår ska enheten stängas av och en servicetekniker kontaktas
- Om du känner röklukt eller ser vit rök stiga från DHW-tanken ska systemet stängas av och en servicetekniker kontaktas.

◆ DRIFTEN STARTAR INTE

- Kontrollera att YUTAKI systemets temperaturinställning står på rätt temperatur.
- Kontrollera den elektriska anslutningen från enheten och varmvattentanken (säkring eller kretsbytare)
- Kontrollera vattentemperaturen och eventuell aktivering av termostatsens fränkoppling (vid högre temperatur än 90°C > termostat fränkoppling)
- Kontrollera vattentryck och vattenflöde (minst 0,1MPa).
- Kontrollera att DHW-tankens termostat är inställt på maximalt vattenläge genom YUTAKI System control (kontrollera vattnets inställningsläge med Anti-Legionella)

◆ DÅLIG UPPVÄRMNING

- Kontrollera om vattenflödet hindras inuti vattenkretsen.
- Kontrollera om vattentrycket ligger utanför driftsomfång.
- Kontrollera elektriska anslutningar från kontrollsystem och varmvattentank.
- Om det inte fungerar bör du kontrollera värmaren.

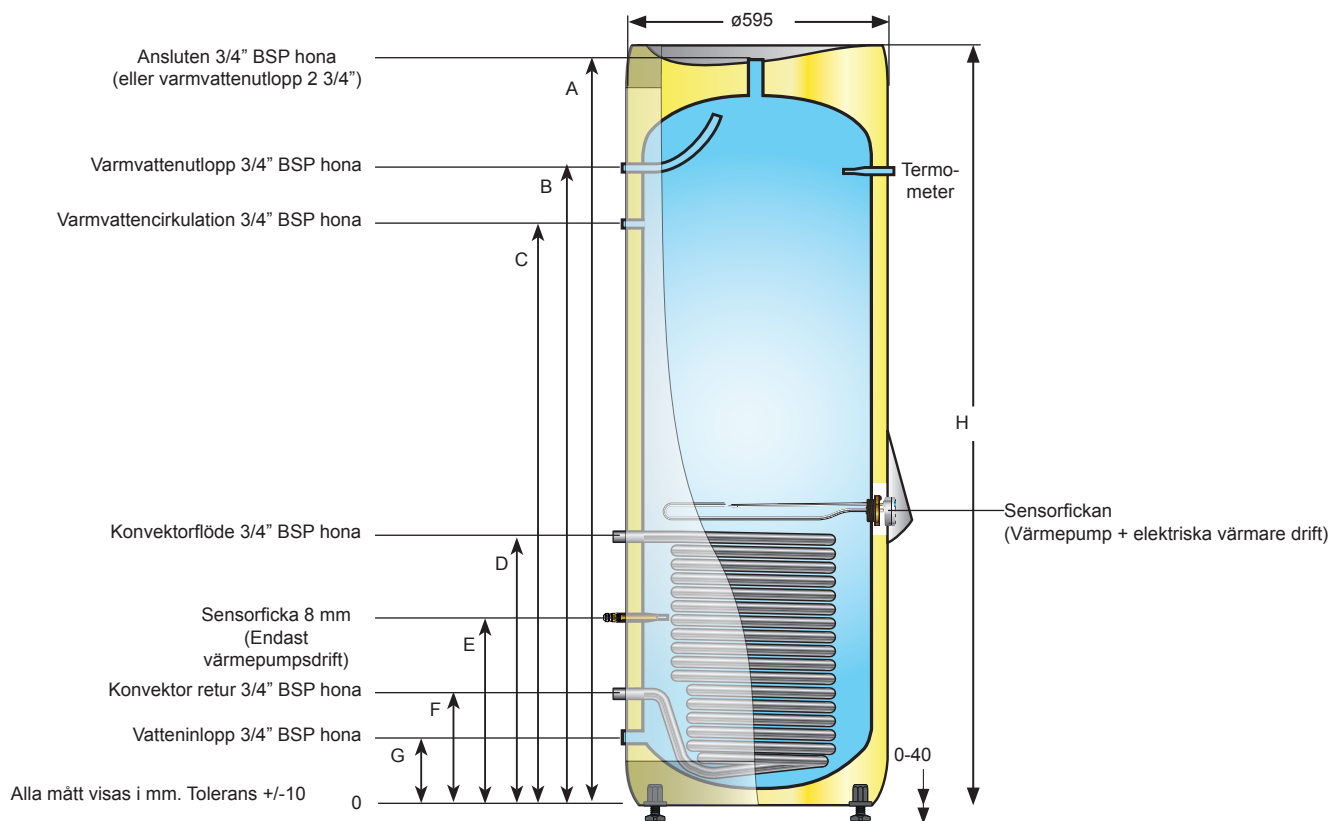
◆ OM PROBLEMET KVARSTÅR ...

Om problemet kvarstår efter att du kontrollerat ovanstående punkter kontakta du en servicetekniker och meddelar följande:

- Modell
- Problembeskrivning

5 MÄTTRITNINGAR

5.1 DHWT(200/300)S-3.0H2E

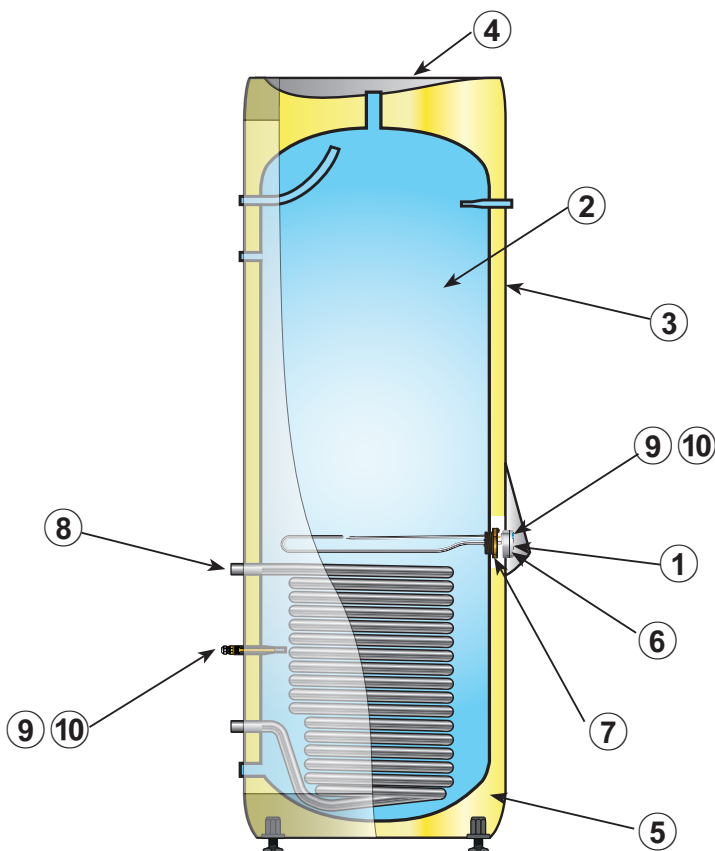


Kod	Modell	Kapacitet personer	Vikt (kg)	Fraktvolym (m ³)	Uppvärmningstid tim Δt 65°C	Volym (L)	Värmeförlust (W)	Märkning ErP
70544002	DHWT-200S-3.0H2E - 3kW/ 1x230V+konvektor 1,4m ²	3,0	53	0,46	VP \leq 10kW	194	47,3	B
70544003	DHWT-300S-3.0H2E - 3kW/ 1x230V+konvektor 1,8m ²	5,0	63	0,62	VP \leq 12kW	284	62,8	B

Mått	DHWT-200S-3.0H2E	DHWT-300S-3.0H2E
A	1265	1745
B	977	1457
C	842	1322
D	677	867
E	482	594
F	267	267
G	156	156
Diam.x Höjd (mm)	$\varnothing 595 \times 1270$	$\varnothing 595 \times 1750$

6 DELARNAS NAMN

6.1 DHWT(200/300)S-3.0H2E



Ref.	Antal	Benämning
①	1	Inspektionsöppning
②	1	Förvarningstank för DHW
③	1	Externt hölje
④	1	Övre hölje
⑤	1	Värmeisolering
⑥	1	Kontrollpanel
⑦	1	Elektrisk värmare
⑧	1	Uppvärmningskonvektor
⑨	1	Sensor sonder
⑩	1	DHWT-sensor

7 INSTALLATION AV ENHET

Packa upp produkten så nära installationsplatsen som möjligt.

Kontrollera innehållet i lådan:

- DHW-tank modell
- Drifts- och installationshandbok samt dokument

7.1 URVALSPROCEDUR FÖR DHW-TANKAR

⚠ VARNING

- DHW-tanken är avsedd för inomhusinstallation.
- Installation av DHW-tanken måste utföras av professionella installatörer.
- Installera DHW-tanken med tillräckligt med utrymme runtom för drift och underhåll enligt följande figurer.
- Installera enheten där det finns god tillgång till ventilation. Installera den inte där det finns höga halter av oljedimma, salt eller svavel i luften.

- Drift utan tillräcklig ventilation i ett stängt utrymme kan orsaka syrebrist. Giftig gas kan produceras om rengöringsmedlet värms upp till en hög temperatur, genom att t.ex. exponeras för eld.
- Installera inte DHW-tanken i närheten av brandfarliga ämnen.
- Vid installation av andra anordningar i närheten av DHW-tanken ska ett fritt utrymme på 500 mm eller mer hållas mellan dem och alla andra hinder.

7.2 ARBETSYTA

- Kontrollera att DHW-tanken är installerad vertikalt.
- Använd oantändbara och giftfria rengöringsmedel. Om brandfarliga medel används finns det risk för explosion eller brand.
- Rengöringsmedel ska torkas bort efter rengöring.
- Var uppmärksam så att inga kablar hamnar i kläm när luckan till eldosan stängs. Det kan orsaka elshock.

7.3 ANALYS AV VATTENKVALITET

Brunnsvatten eller flodvatten kan ofta innehålla fasta ämnen, organiska material och stora mängder avlagringar. Därför bör vattnet filtreras eller mjukgöras kemiskt innan det används i DHW-tanken.

Det är också nödvändigt att analysera vattenkvaliteten genom att mäta pH-värde, elektrisk konduktivitet o.s.v. Nedan visas det rekommenderade vattenkvaliteten:

Objekt	DHW-tankens vattenförsörjning
Klorjon (mg C ¹⁻ /l)	Mindre än 150
Elektrisk konduktivitet (µs/cm)	100~2000
Total hårdhet (mg CaCO ₃ /l)	60~150
Sulfatinnehåll (mg/l)	max 250

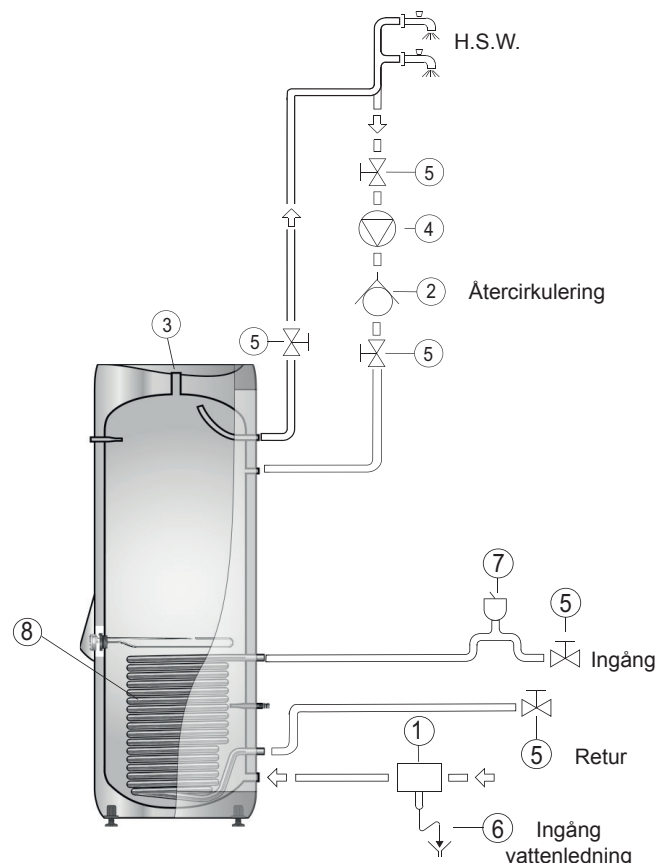
i OBS!

Vattenomfånget ligger inom s/UNE 112076:2004 IN.

8 HYDRAULISK KRETS

När röranslutning utförs:

- 1 Anslut alla rör så nära enheten som möjligt så att bortkoppling enkelt kan utföras vid behov.
- 2 Flexibla anslutningar rekommenderas till rör för vattnets inlopp och utlopp för att undvika överföring av vibrationer.
- 3 Slussventiler bör installeras på vattenrören då det är möjligt, i avsikt att minimera flödesmotståndet och för att upprätthålla ett tillräckligt vattenflöde.
- 4 Det rekommenderas att man använder kulventiler i båda anslutningarna av vattenrör för att underlätta underhållsarbete.
- 5 En ordentlig inspektion ska utföras för att kontrollera om det finns läckande delar inuti och utanpå systemet genom att öppna ventilerna helt till inloppet av varmvatten och till utloppet på vattenkondensorn.
- 6 DHW-tanken måste vara fullständigt avluftad för att undvika att tankens hölje utsätts för värmestrålning från värmeelement när tanken är utan vatten.
- 7 Applicera värmeisolering på rören i det hydrauliska systemet för att undvika olycksfall p.g.a. brännheta rör och för att undvika värmeförluster.
- 8 Om enheten stängs av under en längre tid och den omgivande temperaturen är mycket låg kan vattnet i rören och cirkulationspumpen frysa till is, vilket kan skada rören och vattenpumpen. För att förhindra detta är det en god idé att tömma installationen på vatten under nedstängningsperioder.



i OBS!

Kontrollera regelbundet:

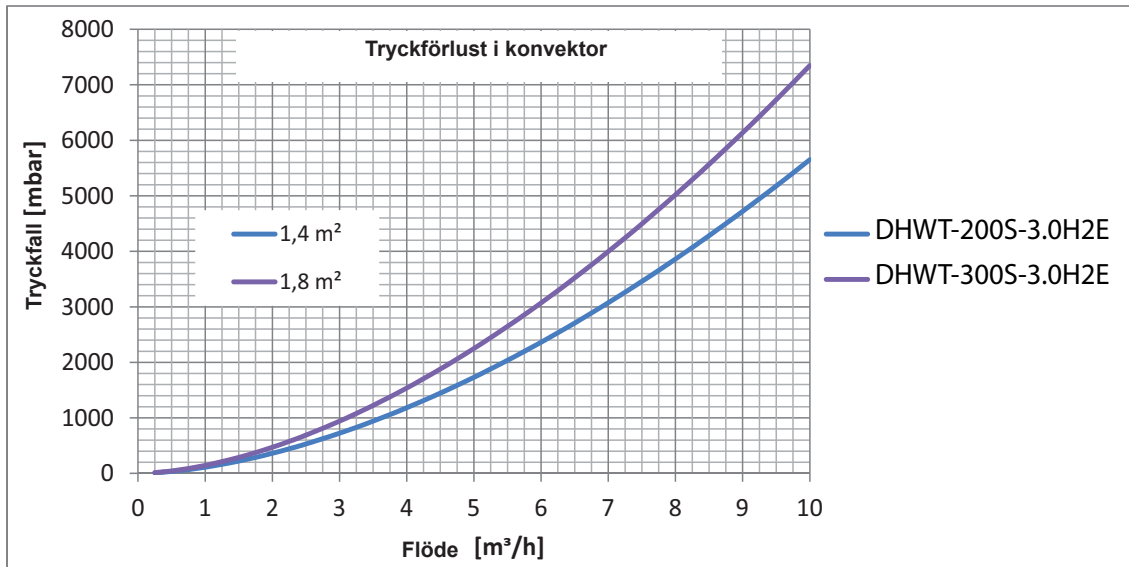
- Vattenflöde och tryck
- Vattenläckage
- Åtdragning av fästpunkter

! VARNING

- Anslutningsrör för inlopp och utlopp måste vara 1G"
- Vattenflödets riktning som indikeras i tidigare ritning måste bibehållas.

1	Sanitär säkerhetsventil
2	Backventil
3	Vattenutlopp 2
4	Återcirkuleringspump
5	Avstängningskran
6	Dränering
7	Avluftare
8	Uppvärmningskonvektor

8.1 TRYCKFALL



9 ELEKTRISK ANSLUTNING

9.1 ALLMÄN KONTROLL

- 1 Se till att alla ej-medföljande elektriska komponenter (huvudströmbrytare, kretsbytare, kablar, kontakter och kabelanslutningar) har valts enligt angivna elektriska uppgifter. Kontrollera att de följer nationella och regionala elektriska bestämmelser.
- 2 De elektriska anslutningarna måste utföras av en professionella installatör.
- 3 Se till att spänningen ligger inom +/-10 % av märkspänningen.
- 4 Försäkra att strömförsörjningen har tillräckligt låg impedans för att startströmmen inte ska gå under 85 % av märkspänningen.
- 5 Kontrollera att jordkabeln är ordentligt ansluten, märkt och fastsatt enligt nationella och lokala bestämmelser.
- 6 Anslut en säkring med angiven kapacitet.
- 7 Kontrollera regelbundet att de elektriska anslutningarna sitter fast.

VARNING

- Kontrollera att skruvar till anslutningsplintar är ordentligt åtdragna.
- Skydda kablarna, dräneringsröret, elektriska delarna och dylikt från råttor och andra smådjur. Annars kan djur skada oskyddade delar och i värsta fall kan brand uppstå.
- Linda packningen runt kablarna för att skydda produkten från kondens och insekter.
- Fäst kablarna ordentligt med kabelklämman inuti enheten.
- Drag kablarna så att de inte har kontakt med vattenrören.
- Linda packningstillbehöret runt systemkontrollenhetens kablar.

FARA

- Anslut inte eller ändra inga kablar eller anslutningar om huvudströmbrytaren är på.
- När det finns flera strömbrytare för AV/PÅ ska man försäkra att alla är ställda till AV.

9.2 KABELDIAMETER

Rekommenderade minimistorlekar för egna kablar

Modell	Strömkälla	Max ström	Strömkällans kabelstorlek (elektrisk värmare)	Storlek för sensorkabel
			EN60 335-1	EN60 335-1
DHWT	1~ 230V 50Hz	15A	2,5mm ²	0,75mm ²

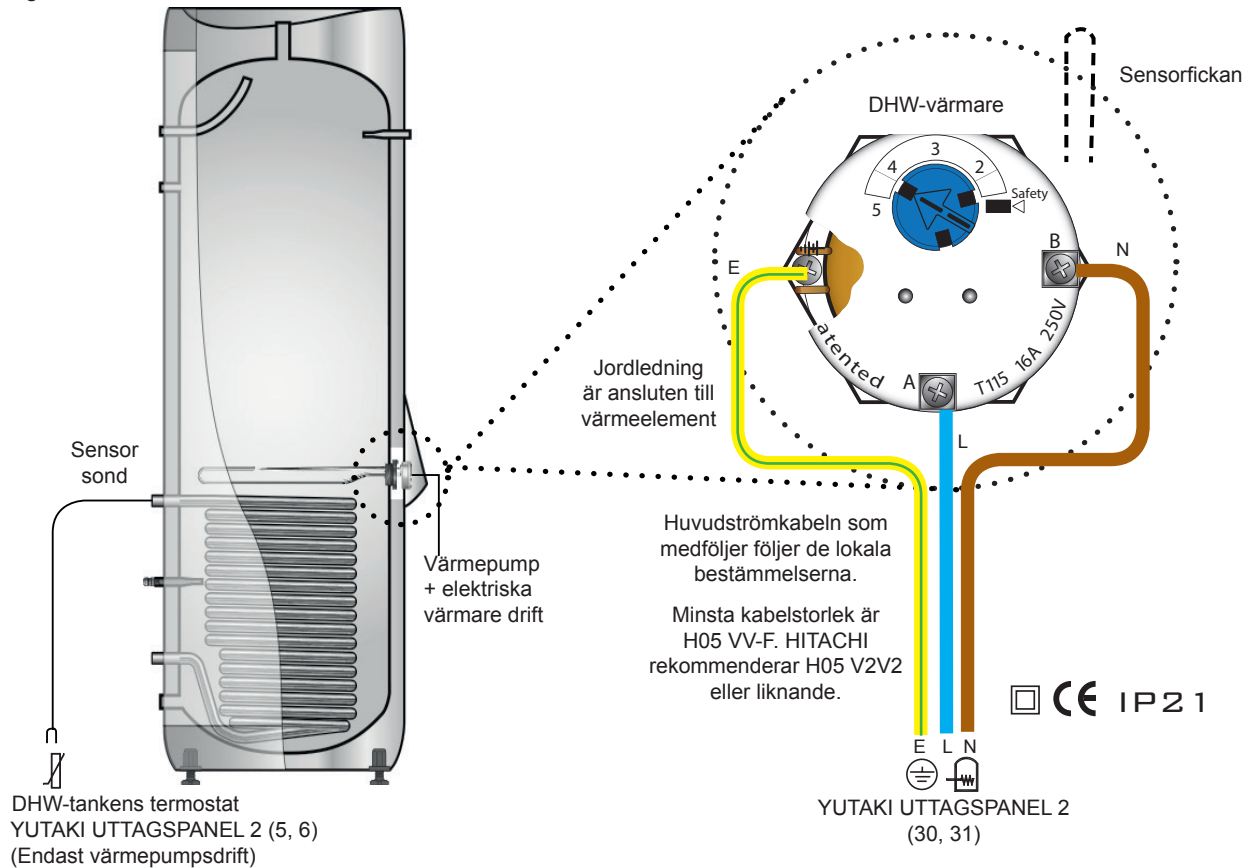
OBS!

- Följ lokala lagar och bestämmelser när du väljer kablar, krets- och jordfelsbrytare.
- Använd kablar som inte är lättare än vanliga flexibla gummimantlade kablar (kod H05RN-F).

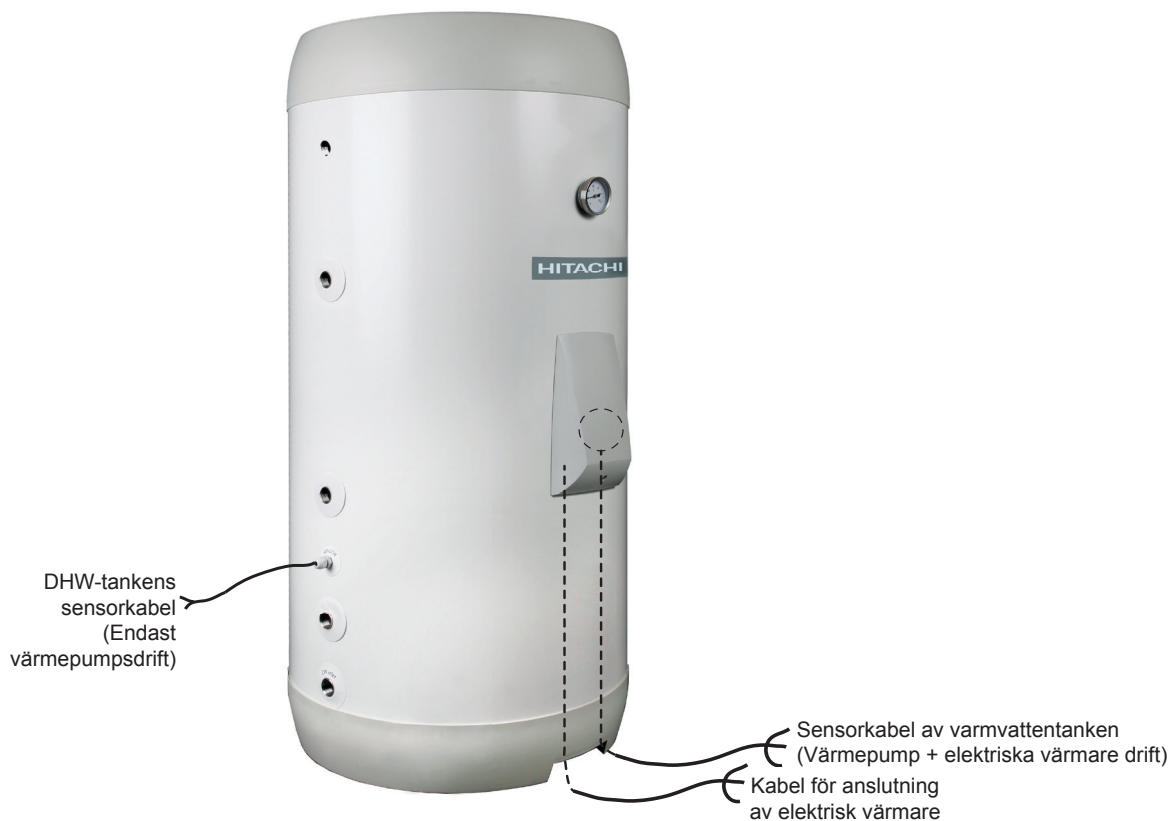
9.3 ANSLUTNING AV ELKABLAR

Kabelanslutningen mellan varmvattentank och Yutaki-systemet är följande:

Anslutningar av kund:



9.4 INRE KABLAR



9.5 ELEKTRISK VÄRMARE

Den elektriska värmaren är tillverkad av nickel-kromlegering 825 och uppfyller kraven i det europeiska lågspänningsdirektivet 2006/95/EG.

Den omfattas av en fläns som håller 3 U-formade värmeelement för effektmotstånd på 3,0kw.

9.6 ELINSTALLATION

9.6.1 Utbyte av termostat/element

Stäng av strömbrytaren och avlägsna den centrala elluckan. Stäng av vattenförsörjningen och dräneringsenheten. Skruva loss kablarna på termostat och element.

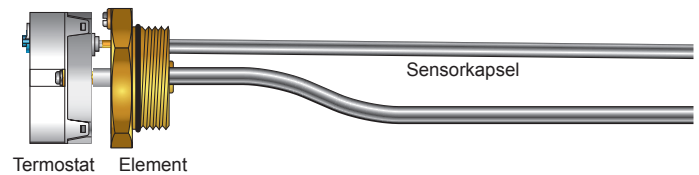
Om det endast är termostaten som byts ut kan kabeln på elementet lämnas kvar. Termostaten avlägsnas genom att dra den rakt ut från dess hållare på elementet.

Elementet kan sedan avlägsnas/bytas ut med ett element verktyg. Se till att o-ringens tätning på elementet är på plats och oskadat före fastsättning.

Fyll enheten helt med vatten och säkerställ att elementet inte läcker. Fäst kablarna på elementet. Installera termostaten genom att trycka in den helt och hållet. Fäst de elektriska kablarna på termostaten.

Dra åt alla kabelanslutningar ordentligt. Dra åt dem igen efter 3 månader.

Innan strömmen slås på ska den centrala elluckan återmonteras och enheten måste fyllas med vatten.



9.7 SÄKERHETSÅTGÄRDER

- Innan något arbete utförs skall DHW-tanken kopplas ur från huvudströmmen. Alla anslutningskretsar måste kopplas bort.
- Installation, inställning, uppstart och underhåll av värmeelement måste utföras av en auktoriserad elektriker. Alla standarder och föreskrifter måste följas.
- Användaren är ansvarig för att se till att kraven i det europeiska lågspänningsdirektivet efterlevs.
- De elektriska värmeelementen genererar höga temperaturer. Försiktighetsåtgärder bör vidtas för att skydda föremål och personer från brandolyckor under drift och efter att utrustningen har kopplats ur eller installerats.
- Observera minsta kabelsektion:
- Rekommenderad kabel vid motstånd på 3,0kw: H05SJ-K enligt UNE 21027, och en sektion på minst 2,5 mm².
- Tankarna måste utrustas med en DHW-termostat för temperaturkontroll och en allpolet begränsande termostat (inställningen av dessa två komponenter måste vara kompatibel med konstruktionsparametrarna för förvarningstankar).
- Vi rekommenderar att lämpliga säkerhetsanordningar installeras (säkerhetsenhet för temperatur, säkerhetsnivå för uppvärmning av vätskor via naturlig konvektion, säkerhetsenhet för flödet av cirkulerade vätskor, etc.).

10 SÄKERHETSSAMMANFATTNING OCH INSTÄLLNING AV STYRANORDNINGAR

◆ Skyddsklass

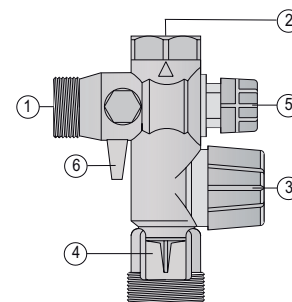
Denna omkopplare bryter driften av DHW-tanken när vattentemperaturen inuti den överskrider 90°C.

Modell	Enheter	DHWT
Termostat		
Fränkoppling	°C	90
Kontakorer		
Ström	A	20 (AC1)
Spänning	V	230V
Värmemotstånd		
Elektrisk ström	kW	3,0
Spänning	V	230V
Ø	mm	6,4
Flänsmutter för fixering av motstånd	"G	1-1/4"
Särskild värmebelastning	W/cm ²	14,2
Material		INCOLOY 825
Motståndskabel		Ni-Cr 80/20 Ø 0,45mm
Varmvattentank-sensor		NTC 20k

11 ALLMÄNNA FÖRESKRIFTER FÖR INSTALLATION AV HYDRAULIK

- Enhetens säkerhetsventil ska monteras vid den sanitära vatteninstallationen.
- En tryckreducerare måste placeras i DHW-tankens installation. Det nominella trycket av säkerhetsenheten ska vara 8 bar.
- När huvudtrycket är mer än 6 bar måste en tryckreducerare installeras.
- Vattenurladdning under uppvärmning (expansion) är normalt. Volymen på denna urladdning kan vara upp till 3% av tankens kapacitet.
- Tryckregulatorn måste arbeta regelbundet, beroende på vattenkvaliteten, för att avlägsna kalkavlagringar och kontrollera blockeringar.
- Vattenläckage i tryckskyddsenheten kan förekomma. Utloppsroret ska alltid vara öppet ut mot omgivande atmosfär, frostfritt och alltid nedåt lutad.
- Dielektriska bussningar måste monteras på in- och utloppet för dricksvatten och anslutningarna till tankens krets.
- Tömning av varmvattentank: Stäng vatteninlopps huvudventil och öppna säkerhetsventilens vattengrupp.

Ref.	Benämning
①	Huvudinlopp för vatten
②	Inloppsanslutning för varmvattentank
③	Säkerhetsventil och manuell tömning
④	Anslutning för tömning
⑤	Backventil
⑥	Stängventil



1 ΓΕΝΙΚΕΣ ΠΛΗΡΟΦΟΡΙΕΣ

Δεν επιτρέπεται η αναπαραγωγή, η αντιγραφή, η συμπλήρωση ή μετάδοση κανενός μέρους της παρούσας έκδοσης και σε οποιαδήποτε μορφή χωρίς την άδεια της HITACHI Air Conditioning Products Europe, S.A.U.

Εντός της πολιτικής συνεχών βελτιώσεων των προϊόντων της, η HITACHI Air Conditioning Products Europe, S.A.U. διατηρεί το δικαίωμα να κάνει αλλαγές οποιαδήποτε στιγμή, χωρίς προειδοποίηση και χωρίς να έχει καμία υποχρέωση να τις εισάγει στα προϊόντα που έχουν πουληθεί στη συνέχεια. Αυτό το έγγραφο, επομένως, υπόκειται σε τροποποιήσεις κατά τη διάρκεια ζωής του προϊόντος.

Η HITACHI καταβάλλει κάθε προσπάθεια για να παρέχει σωστή και ενημερωμένη τεκμηρίωση. Παρόλα αυτά, η HITACHI δεν μπορεί να ελέγξει τα τυπογραφικά λάθη και, ως εκ τούτου, δεν φέρει καμία ευθύνη.

Ως αποτέλεσμα, μερικές από τις εικόνες ή τα δεδομένα που χρησιμοποιούνται για την εικονογράφηση του παρόντος μπορεί να μην αναφέρονται σε συγκεκριμένα μοντέλα. Παράπονα με βάση τα δεδομένα, τις εικονογραφήσεις και τις περιγραφές που περιλαμβάνονται στο εγχειρίδιο δεν γίνονται αποδεκτά.

2 ΑΣΦΑΛΕΙΑ

2.1 ΣΥΜΒΟΛΑ ΠΟΥ ΕΦΑΡΜΟΖΟΝΤΑΙ

Κατά τη διάρκεια σχεδιασμού του συστήματος αντλία θερμότητας ή της εγκατάστασης της μονάδας, πρέπει να δίνεται μεγάλη προσοχή σε περιπτώσεις που απαιτείται ιδιαίτερη φροντίδα προκειμένου να μην προκληθούν ζημιές στη μονάδα, στην εγκατάσταση, στο κτίριο ή την περιουσία.

Στο παρόν εγχειρίδιο υποδεικνύονται με σαφήνεια καταστάσεις που θέτουν σε κίνδυνο την ασφάλεια όσων βρίσκονται στον περιβάλλοντα χώρο ή που θέτουν την ίδια τη μονάδα σε κίνδυνο.

Για την υπόδειξη αυτών των καταστάσεων, χρησιμοποιείται μια σειρά από ειδικά σύμβολα που προσδιορίζουν ξεκάθαρα τις εν λόγω καταστάσεις.

Δώστε ιδιαίτερη προσοχή σε αυτά τα σύμβολα και στα μηνύματα που τα ακολουθούν, καθώς η ασφάλειά σας και η ασφάλεια των γύρω σας εξαρτώνται από αυτά.

ΚΙΝΔΥΝΟΣ

- Το κείμενο που ακολουθεί αυτό το σύμβολο περιέχει πληροφορίες και οδηγίες που σχετίζονται άμεσα με την ασφάλεια και τη σωματική ακεραιότητά σας.
- Η παράβλεψη αυτών των οδηγιών μπορεί να οδηγήσει εσάς και όσους βρίσκονται κοντά στη μονάδα σε σοβαρούς, πολύ σοβαρούς ή ακόμη και μοιραίους τραυματισμούς.

Στα κείμενα που ακολουθούν το σύμβολο κινδύνου, μπορείτε να βρείτε πληροφορίες σχετικά με τις διαδικασίες ασφαλείας κατά την εγκατάσταση της μονάδας.

ΠΡΟΣΟΧΗ

- Το κείμενο που ακολουθεί αυτό το σύμβολο περιέχει πληροφορίες και οδηγίες που σχετίζονται άμεσα με την ασφάλεια και τη σωματική ακεραιότητά σας.
- Η παράβλεψη αυτών των οδηγιών μπορεί να οδηγήσει εσάς και όσους βρίσκονται κοντά στη μονάδα σε ασήμαντους τραυματισμούς.
- Η παράβλεψη αυτών των οδηγιών μπορεί να προκαλέσει βλάβη στη μονάδα.

Στα κείμενα που ακολουθούν το σύμβολο προσοχή, μπορείτε να βρείτε πληροφορίες σχετικά με τις διαδικασίες ασφαλείας κατά την εγκατάσταση της μονάδας.

ΣΗΜΕΙΩΣΗ

- Το κείμενο που ακολουθεί αυτό το σύμβολο περιέχει πληροφορίες ή οδηγίες που μπορεί να φανούν χρήσιμες ή που απαιτούν μια πιο ενδελεχή εξήγηση.
- Μπορεί επίσης να περιλαμβάνονται οδηγίες σχετικά με τις επιθεωρήσεις που πρέπει να γίνουν σε μέρη της μονάδας ή τα συστήματα.

2.2 ΠΡΟΣΘΕΤΕΣ ΠΛΗΡΟΦΟΡΙΕΣ ΑΣΦΑΛΕΙΑΣ

ΚΙΝΔΥΝΟΣ

- **ΜΗΝ ΣΥΝΔΕΕΤΕ ΤΗΝ ΤΡΟΦΟΔΟΣΙΑ ΗΛΕΚΤΡΙΚΟΥ ΡΕΥΜΑΤΟΣ ΣΤΗΝ ΕΣΩΤΕΡΙΚΗ ΜΟΝΑΔΑ ΚΑΙ ΤΗ ΔΕΞΑΜΕΝΗ DHW ΠΡΙΝ ΑΠΟ ΤΗΝ ΠΛΗΡΩΣΗ ΝΕΡΟΥ ΣΤΑ ΔΥΟ ΚΥΚΛΩΜΑΤΑ ΚΑΙ ΤΟΝ ΕΛΕΓΧΟ ΓΙΑ ΤΗΝ ΠΙΕΣΗ ΝΕΡΟΥ ΚΑΙ ΓΙΑ ΤΥΧΟΝ ΔΙΑΡΡΟΗ ΝΕΡΟΥ.**
- Μην ρίχνετε νερό στα ηλεκτρικά εξαρτήματα της μονάδας. Αν τα ηλεκτρικά εξαρτήματα έρχονται σε επαφή με νερό μπορεί να προκληθεί ηλεκτροπληξία.
- Μην αγγίζετε ή ρυθμίζετε τις προστατευτικές διατάξεις μέσα στην αντλία θερμότητας αέρα-νερού. Μπορεί να προκληθεί σοβαρό ατύχημα αν αγγίζετε ή ρυθμίσετε αυτές τις συσκευές.
- Σε περίπτωση πυρκαγιάς, κλείστε το διακόπτη τροφοδοσίας γυρίζοντάς τον στη θέση OFF (Απενεργοποίηση), σβήστε τη φωτιά και επικοινωνήστε με τον υπεύθυνο συντήρησης.
- Βεβαιωθείτε ότι η δεξαμενή DHW δεν μπορεί να τεθεί σε λειτουργία κατά λάθος χωρίς νερό ή αέρα στο υδραυλικό σύστημα.

ΠΡΟΣΟΧΗ

- Μην χρησιμοποιείτε σπρέι όπως εντομοκτόνα, βερνίκια, λακ μαλλιών ή άλλα εύφλεκτα αέρια σε απόσταση περίπου ενός μέτρου από το σύστημα.
- Αν κλείνει συχνά ο διακόπτης κυκλώματος ή πέφτει η ασφάλεια, σταματήστε τη λειτουργία του συστήματος και απευθυνθείτε στον υπεύθυνο συντήρησης.
- Μην εκτελείτε οι ίδιοι εργασίες συντήρησης ή επιθεώρησης. Τις εργασίες αυτές πρέπει να εκτελεί ένα ειδικευμένο προσωπικό συντήρησης.
- Η συσκευή αυτή μπορεί να χρησιμοποιηθεί μόνο από ενήλικα και ικανό άτομο, το οποίο έχει λάβει τις τεχνικές πληροφορίες ή οδηγίες για τον σωστό και ασφαλή χειρισμό αυτής της συσκευής.
- Τα παιδιά θα πρέπει να επιτηρούνται και να μην παίζουν με τη συσκευή.
- Μην τοποθετείτε ξένα αντικείμενα στην είσοδο νερού και την έξοδο σωλήνωσης της δεξαμενής DHW.

2.3 ΣΗΜΑΝΤΙΚΗ ΠΑΡΑΤΗΡΗΣΗ

- Όλες οι βοηθητικές πληροφορίες σχετικά με τα προϊόντα που έχετε αγοράσει περιλαμβάνονται στο CD-ROM μαζί με την εσωτερική μονάδα. Σε περίπτωση που δεν υπάρχει το CD-ROM ή δεν είναι αναγνώσιμο, επικοινωνήστε με τον διανομέα ή παροχέα της HITACHI.
- ΔΙΑΒΑΣΤΕ ΚΑΙ ΕΞΟΙΚΕΙΩΘΕΙΤΕ ΜΕ ΤΟ ΕΓΧΕΙΡΙΔΙΟ ΚΑΙ ΤΑ ΑΡΧΕΙΑ ΤΟΥ CD-ROM ΠΡΟΤΟΥ ΞΕΚΙΝΗΣΕΤΕ ΜΕ ΤΗΝ ΕΓΚΑΤΑΣΤΑΣΗ ΤΟΥ ΣΥΣΤΗΜΑΤΟΣ ΑΝΤΛΙΑ ΘΕΡΜΟΤΗΤΑΣ ΑΕΡΑ-ΝΕΡΟΥ. Αν δεν λάβετε υπόψη τις οδηγίες εγκατάστασης, χρήσης και λειτουργίας που περιγράφονται σε αυτή την τεκμηρίωση, μπορεί να προκληθεί σφάλμα λειτουργίας, σημαντικά δυναμικά σφάλματα, ή ακόμη καταστροφή του συστήματος αντλία θερμότητας αέρα-νερού.
- **Αυτό το έντυπο περιλαμβάνει τις πληροφορίες σχετικά με τη δεξαμενή DHW HITACHI. Η δεξαμενή HITACHI DHW μπορεί να συνδεθεί με την εσωτερική μονάδα YUTAKI S80 Τύπου 1 ή το YUTAKI M. Ανατρέξτε στο εγχειρίδιο οδηγιών (πληροφορίες θέρμανσης) ή το CD-ROM που συνοδεύει αυτή τη μονάδα για όλες τις πληροφορίες του συστήματος.**
- Βεβαιωθείτε, βάσει των εγχειριδίων της εξωτερικής, της εσωτερικής μονάδας και της δεξαμενής DHW, ότι περιλαμβάνονται όλες οι απαιτούμενες πληροφορίες για τη σωστή εγκατάσταση του συστήματος. Αν δεν περιλαμβάνονται, επικοινωνήστε με το διανομέα σας.
- Η HITACHI ακολουθεί μία πολιτική συνεχών βελτιώσεων αναφορικά με τον σχεδιασμό και την απόδοση των προϊόντων της. Για το λόγω αυτό, διατηρεί το δικαίωμα της μεταβολής των προδιαγραφών χωρίς προειδοποίηση.
- Η HITACHI δεν είναι σε θέση να προβλέψει κάθε πιθανή κατάσταση που μπορεί να περιέχει κάποιον ενδεχόμενο κίνδυνο.
- Δεν επιτρέπεται η αναπαραγωγή κανενός μέρους του παρόντος εγχειριδίου χωρίς πρότερη γραπτή άδεια.
- Για οποιαδήποτε απορία ή ερώτημα, απευθυνθείτε στον υπεύθυνο συντήρησης της HITACHI.
- Ελέγξτε και βεβαιωθείτε ότι οι επεξηγήσεις σε κάθε σημείο του εγχειριδίου αφορούν το δικό σας μοντέλο της δεξαμενής DHW.
- Ανατρέξτε στην κωδικοποίηση των μοντέλων για να επιβεβαιώσετε τα κύρια χαρακτηριστικά του συστήματός σας.
- Για την επισήμανση των διαφορετικών επιπέδων σοβαρότητας του κινδύνου, χρησιμοποιούνται λέξεις-σήματα (ΣΗΜΕΙΩΣΗ, ΚΙΝΔΥΝΟΣ και ΠΡΟΣΟΧΗ). Οι ορισμοί για την ταυτοποίηση των επιπέδων επικινδυνότητας δίνονται στις αρχικές σελίδες αυτού του κειμένου.
- Οι καταστάσεις λειτουργίας αυτών των μονάδων ελέγχονται από το χειριστήριο μονάδας.
- Το εγχειρίδιο αυτό πρέπει να αποτελεί αναπόσπαστο τμήμα του συστήματος. Στο εγχειρίδιο περιλαμβάνεται μία γενική περιγραφή και οι πληροφορίες για το συγκεκριμένο σύστημα, καθώς και για άλλα μοντέλα.
- Διατηρήστε τη θερμοκρασία νερού του παραπάνω συστήματος πάνω από τη θερμοκρασία παγώματος.

	Ελάχ.	Μέγ.
Θερμοκρασία λειτουργία δεξαμενής	Χωρίς ψύξη	75°C

- Το εγχειρίδιο αυτό πρέπει να αποτελεί αναπόσπαστο τμήμα της δεξαμενής DHW. Στο εγχειρίδιο περιλαμβάνεται μία γενική περιγραφή και πληροφορίες για τη συγκεκριμένη δεξαμενή DHW.
- Το δευτερεύον κύκλωμα (κύκλωμα νερού οικιακής χρήσης) πρέπει να τοποθετείται με πίεση και βαλβίδα εκτόνωσης πίεσης (ρύθμιση πίεσης στα 7 bar, ρύθμιση θερμοκρασίας 90°C).
- Η βαλβίδα ασφάλειας του σωλήνα αποστράγγισης πρέπει να καταλήγει σε μια αποχέτευση αλλά δεν πρέπει να συνδέεται απευθείας στην αποχέτευση.
- Το κύριο κύκλωμα (κύκλωμα νερού θέρμανσης) πρέπει να τοποθετείται με μια βαλβίδα ασφάλειας με ρύθμιση έως 3 bar. Μόλις τοποθετηθεί η δεξαμενή, πρώτα γεμίστε το δευτερεύον κύκλωμα (νερό οικιακής χρήσης) και ασκήστε πίεση.
- Μόλις πραγματοποιηθεί το βήμα 4, γεμίστε το κύριο κύκλωμα.
- Αν ο βασικός σωλήνας δεν είναι από ανοξείδωτο ασάλι τότε οι διηλεκτρικοί σύνδεσμοι πρέπει να τοποθετούνται στις συνδέσεις του δευτερεύοντος κυκλώματος.
- Αν η πίεση για την είσοδο του κρύου νερού είναι πάνω από την πίεση σχεδιασμού του εξοπλισμού, πρέπει να τοποθετηθεί ένας μειωτής πίεσης με ρύθμιση πίεσης μικρότερη από την πίεση σχεδιασμού.
- Για να εμποδίσετε την απώλεια θερμότητας μέσα στο σωλήνα ζεστού νερού σε συστήματα αποθήκευσης με νυχτερινό, μπορεί να τοποθετηθεί ένα σιφόνι με αντιθερμική προστασία στην έξοδο της δεξαμενής αποθήκευσης. Ο σωλήνας ζεστού νερού πρέπει να μονωθεί (τουλάχιστον μέχρι το σιφόνι με αντιθερμική προστασία).
- Δεν πρέπει να χρησιμοποιούνται κυκλώματα επιστροφής από χαλκό.
- Η εγκατάσταση αυτή πρέπει να συμφωνεί με τους οικοδομικούς κανονισμούς και πρέπει να ενημερωθούν οι τοπικές αρχές σε περίπτωση που πραγματοποιείται.
- Παρακαλούμε να αφήσετε το εγχειρίδιο στον ιδιοκτήτη μετά την εγκατάσταση.
- Οι συνδέσεις της βαλβίδας εκτόνωσης του κυλίνδρου δεν πρέπει να χρησιμοποιούνται για άλλο σκοπό.
- Χρησιμοποιήστε ένα σιφόνι νερού για το δευτερεύον κύκλωμα (οδηγίες):
 - Μονώστε τη δεξαμενή από το δίκτυο πίεσης, δηλαδή μέσα από τη βαλβίδα διακοπής στην είσοδο του κρύου νερού.
 - Ανοίξτε τη βαλβίδα εκτόνωσης της δεξαμενής.
 - Η δεξαμενή του ζεστού νερού οικιακής χρήσης εκκενώνεται χάρη στο σιφόνι, μέσω του σωλήνα αποχέτευσης της βαλβίδας εκτόνωσης που βρίσκεται στο σωλήνα εισόδου κρύου νερού, στην κάτω πλευρά της δεξαμενής.

3 ΕΓΚΑΤΑΣΤΑΣΗ

3.1 ΟΔΗΓΟΣ ΠΡΟΪΟΝΤΟΣ

Τύπος μονάδας: Δεξαμενή ζεστού νερού οικιακής χρήσης

	Ικανότητα (L) 200-300 λίτρα							
		S= Ανοξειδωτο						
			Θέση διαχωριστικής παύλας (διορθωμένη)					
				3,0 kW				
					Ηλεκτρικός θερμαντήρας			
						Σειρά		
							E = Κατασκευάζεται στην Ευρώπη	
DHWT	XXX	S	-	3,0	H	2	E	

3.2 ΓΕΝΙΚΕΣ ΣΗΜΕΙΩΣΕΙΣ

3.2.1 Εξαρτήματα με την παραλαβή



DHWT-(200/300)S-3.0H2E είναι ένας έμμεσος θερμαντήρας νερού από ανοξειδωτο ασάλι. Το προϊόν αυτό έχει σχεδιαστεί για τη θέρμανση του ζεστού νερού οικιακής χρήσης από μια εξωτερική πηγή θερμότητας όπως μια αντλία θερμότητας.

Απομακρύνετε με προσοχή τη συσκευασία του προϊόντος. Εγκαταστήστε το προϊόν σε μια επίπεδη επιφάνεια, η οποία αντέχει το συνολικό βάρος του προϊόντος όταν γεμίζει με νερό. Προσαρμόστε ανάλογα τα ρυθμιζόμενα ποδαράκια του εργοστασίου. Το προϊόν πρέπει να εγκαθίσταται οριζόντια και ισόπεδα. Η ηλεκτρική καλωδίωση και οι σωληνώσεις πρέπει να πραγματοποιηθούν από εγκεκριμένο εγκαταστάτη.

Προτού γεμίσετε τη μονάδα με νερό, πρέπει να στερεώσετε το καλώδιο της ηλεκτρικής ισχύς, βλέπε «9.5 Ηλεκτρικός θερμαντήρας».

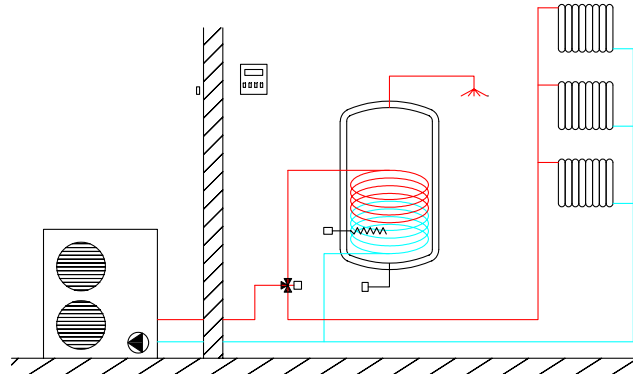
Σε επιφάνειες με κλίση η συσκευή πρέπει να εγκατασταθεί οριζόντια και ισόπεδα ρυθμίζοντας τα ενσωματωμένα ποδαράκια. Οι μονάδες πρέπει να ασφαλιζονται στον τοίχο.

Η συσκευή αυτή έχει σχεδιαστεί για μόνιμη σύνδεση στην κύρια παροχή νερού.

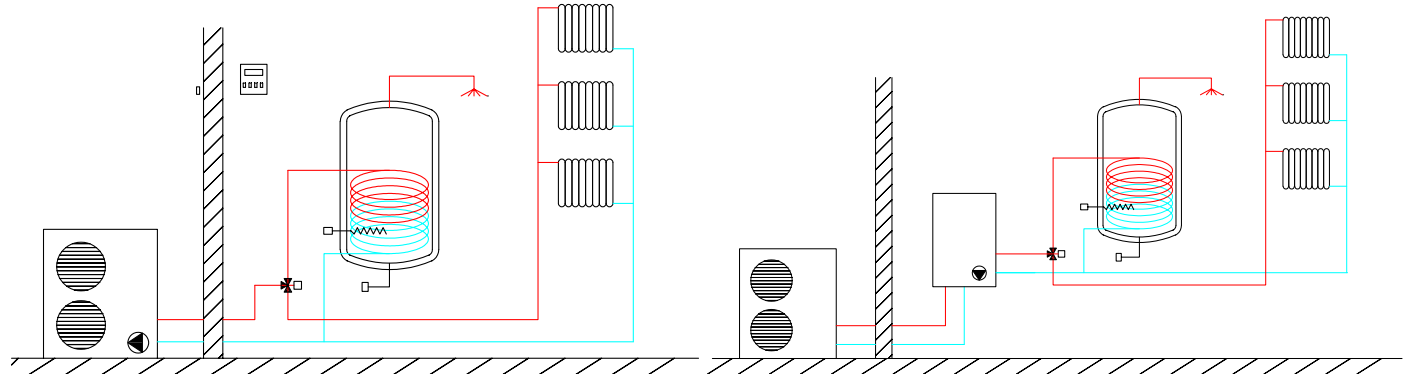
Επιτρέπει μόνο η χρήση της βαλβίδας ασφαλείας σύμφωνα με το NBI 06870/387 για αυτό το προϊόν.

3.3 ΠΑΡΑΔΕΙΓΜΑΤΑ ΕΓΚΑΤΑΣΤΑΣΗΣ

◆ ΥΤΑΚΙ Μ εγκαταστάσεις θέρμανσης



◆ ΥΤΑΚΙ S και S80 εγκαταστάσεις θέρμανσης



i ΣΗΜΕΙΩΣΗ

Για περισσότερες πληροφορίες ανατρέξτε στον εγχειρίδιο εγκατάστασης του συστήματος Yutaki.

4 ΑΝΤΙΜΕΤΩΠΙΣΗ ΒΑΣΙΚΩΝ ΠΡΟΒΛΗΜΑΤΩΝ

! ΠΡΟΣΟΧΗ

- Στην περίπτωση διαρροής νερού, σταματήστε τη λειτουργία και απευθυνθείτε στον υπεύθυνο συντήρησης.
- Όταν μυρίζετε ή βλέπετε άσπρο καπνό να βγαίνει από τη δεξαμενή DHW, σταματήστε τη λειτουργία του συστήματος και απευθυνθείτε στον υπεύθυνο συντήρησης.

◆ ΚΑΜΙΑ ΛΕΙΤΟΥΡΓΙΑ

- Ελέγξτε εάν το ΡΥΘΜΙΣΗ ΘΕΡΜΟΚΡΑΣΙΑΣ του συστήματος ΥΤΑΚΙ έχει ρυθμιστεί στη σωστή θερμοκρασία.
- Ελέγξτε την ηλεκτρική σύνδεση στη μονάδα και τη δεξαμενή DHW (λειτουργία ασφάλειας και διακοπή κυκλώματος)
- Ελέγξτε τη θερμοκρασία νερού και την πιθανή ενεργοποίηση διακοπής του θερμοστάτη (αν είναι πάνω από 90°C > διακοπή θερμοστάτη)
- Ελέγξτε την πίεση και τη ροή νερού (τουλάχιστον 0,1MPa.)
- Βεβαιωθείτε ότι ο μη αυτόματος θερμοστάτης της δεξαμενής DHW έχει ρυθμιστεί στο μέγιστο σημείο ρύθμισης του νερού από το σύστημα ελέγχου ΥΤΑΚΙ (Ελέγξτε το σημείο ρύθμισης του νερού με το Anti-Legionella)

◆ ΔΕΝ ΘΕΡΜΑΙΝΕΙ ΚΑΛΑ

- Ελέγξτε για τυχόν παρεμπόδιση της ροής νερού μέσα στο κύκλωμα νερού.
- Ελέγξτε ότι οι συνθήκες πίεσης νερού είναι εντός των ορίων λειτουργίας του συστήματος.
- Ελέγξτε την ηλεκτρική σύνδεση στο σύστημα ελέγχου και της δεξαμενής DHW.
- Σε περίπτωση μη λειτουργίας πρέπει να ελεγχθεί ο θερμαντήρας.

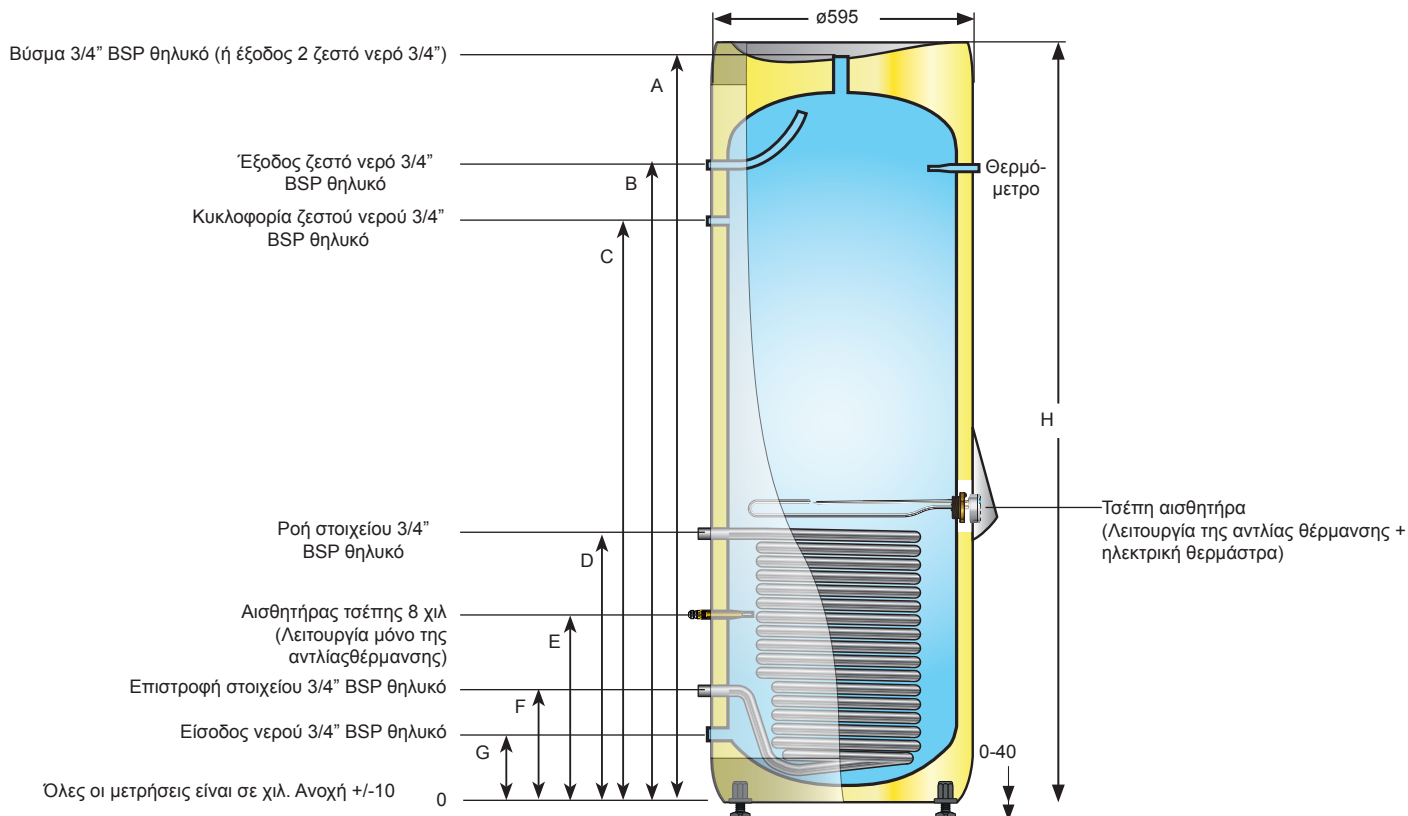
◆ ΕΑΝ ΤΟ ΠΡΟΒΛΗΜΑ ΠΑΡΑΜΕΝΕΙ...

Εάν το πρόβλημα παραμένει αφού ελέγξετε τα παραπάνω σημεία, απευθυνθείτε στον υπεύθυνο συντήρησης έχοντας πρόχειρα τα παρακάτω στοιχεία.

- Όνομα μοντέλου μονάδας
- Περιγραφή του προβλήματος

5 ΣΧΕΔΙΑ ΔΙΑΣΤΑΣΕΩΝ

5.1 DHWT(200/300)S-3.0H2E

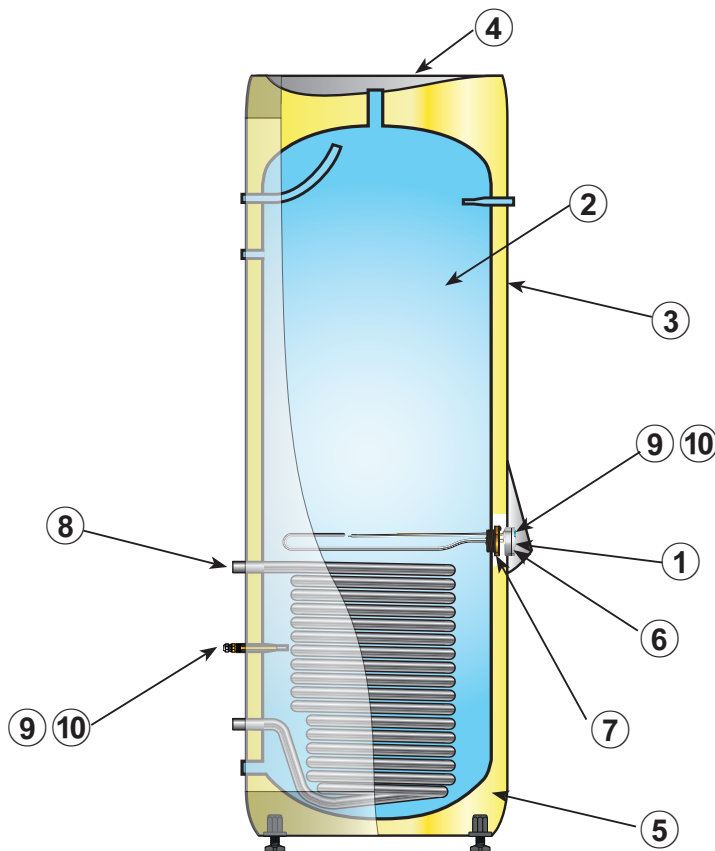


Κωδικός	Μοντέλο	Δυνατότητα χρήσης για άτομα	Βάρος (Kg)	Όγκος αποστολής (m³)	Χρόνος θέρμανσης ώρες Δt 65°C	Όγκος (L)	Απώλεια θερμότητας (W)	Κατηγορία ErP
70544002	DHWT-200S-3.0H2E - 3kW/1x230V + πηνίο 1,4m²	3,0	53	0,46	VP ≤ 10kW	194	47,3	B
70544003	DHWT-300S-3.0H2E - 3kW/1x230V + πηνίο 1,8m²	5,0	63	0,62	VP ≤ 12kW	284	62,8	B

Διαστάσεις	DHWT-200S-3.0H2E	DHWT-300S-3.0H2E
A	1265	1745
B	977	1457
C	842	1322
D	677	867
E	482	594
F	267	267
G	156	156
Διάμετρος x Ύψος (χιλ.)	ø595x1270	ø595x1750

6 ΟΝΟΜΑΤΑ ΕΞΑΡΤΗΜΑΤΩΝ

6.1 DHWT(200/300)S-3.0H2E



Αναφ.	Ποσ.	Όνομα
①	1	Άνοιγμα ελέγχου
②	1	Δεξαμενή αποθήκευσης ζεστού νερού
③	1	Εξωτερικό κάλυμμα
④	1	Πάνω κάλυμμα
⑤	1	Θερμομόνωση
⑥	1	Πίνακας ελέγχου
⑦	1	Ηλεκτρικός θερμαντήρας
⑧	1	Στοιχείο θέρμανσης
⑨	1	Ανιχνευτές αισθητήρα
⑩	1	Αισθητήρας της δεξαμενής DHW

7 ΕΓΚΑΤΑΣΤΑΣΗ ΜΟΝΑΔΩΝ

Πριν βγάλετε τα προϊόντα από τη συσκευασία, μεταφέρετέ τα όσο χρειάζεται κοντά στη θέση εγκατάστασης.

Ελέγξτε το περιεχόμενο της συσκευασίας.

- Μοντέλο δεξαμενής DHW
- Εγχειρίδιο εγκατάστασης και λειτουργίας και Έγγραφα

7.1 ΔΙΑΔΙΚΑΣΙΑ ΕΠΙΛΟΓΗΣ ΤΗΣ ΔΕΞΑΜΕΝΗΣ ΖΕΣΤΟΥ ΝΕΡΟΥ ΟΙΚΙΑΚΗΣ ΧΡΗΣΗΣ

⚠ ΠΡΟΣΟΧΗ

- Η δεξαμενή DHW προορίζεται για εγκατάσταση σε εσωτερικό χώρο.
- Η εγκατάσταση της δεξαμενής DHW πρέπει να γίνει από επαγγελματία εγκαταστάτη.
- Εγκαταστήστε τη δεξαμενή DHW αφήνοντας επαρκή ελεύθερο χώρο γύρω από αυτό για τη λειτουργία και συντήρησή του, όπως φαίνεται στις παρακάτω εικόνες.
- Εγκαταστήστε τη δεξαμενή DHW σε χώρο με καλό εξαερισμό. Μην εγκαθιστάτε τη δεξαμενή DHW σε χώρους όπου ο αέρας έχει υψηλή περιεκτικότητα σε ατμούς λαδιού, αλάτι ή θείο.
- Η εργασία χωρίς επαρκή εξαερισμό, σε κλειστό χώρο, μπορεί να προκαλέσει την έλλειψη οξυγόνου. Ενδέχεται να παραχθούν τοξικά αέρια εάν κάποια δραστική καθαριστική ουσία θερμανθεί σε υψηλή θερμοκρασία όπως π.χ. εάν εκτεθεί σε φλόγες.
- Μην εγκαθιστάτε τη δεξαμενή DHW κοντά σε εύφλεκτες ουσίες.
- Όταν εγκαθιστάτε κάποια συσκευή δίπλα στη δεξαμενή DHW, φροντίστε η απόσταση μεταξύ της δεξαμενής DHW και οποιουδήποτε τυχόν εμπόδιου να είναι μεγαλύτερη από 500χιλ.

7.2 ΧΩΡΟΣ ΛΕΙΤΟΥΡΓΙΑΣ

- Βεβαιωθείτε ότι η δεξαμενή DHW είναι εγκαταστημένη κάθετα.
- Για τον καθαρισμό, χρησιμοποιείτε μη εύφλεκτα και μη τοξικά υγρά καθαρισμού. Η χρήση εύφλεκτων υλικών μπορεί να προκαλέσει έκρηξη ή φωτιά.
- Το καθαριστικό υγρό θα πρέπει να απομακρύνεται μετά την ολοκλήρωση του καθαρισμού.
- Προσέξτε να μην «πιάσετε» τα καλώδια ενώ κλείνετε το κάλυμμα του ηλεκτρικού κουτιού. Μπορεί να προκαλέσει τραυματισμό από ηλεκτροπληξία.

7.3 ΕΓΓΥΗΣΗ ΤΟΥ ΕΛΕΓΧΟΥ ΠΑΡΟΧΗΣ ΝΕΡΟΥ

Το νερό από πηγάδι ή ποτάμια στις περισσότερες περιπτώσεις περιέχει αιωρούμενα στερεά ή οργανικές ύλες και άλατα σε μεγάλες ποσότητες. Επομένως, προτού χρησιμοποιηθεί νερό της δεξαμενής DHW για τις σωληνώσεις κρύου νερού, πρέπει να υποβληθεί σε διαδικασία φιλτραρίσματος ή αποσκλήρυνσης με χημικά.

Ακόμα, είναι απαραίτητο να αναλύσουμε την ποιότητα του νερού ελέγχοντας το pH, την ηλεκτρική αγωγιμότητα κ.α. Τα παρακάτω στοιχεία είναι οι προτεινόμενες τυπικές τιμές για την ποιότητα νερού:

Στοιχείο	Παροχή νερού στη δεξαμενή DHW
Ιόντα χλωρίου (mg Cl ⁻ /l)	Κάτω από 150
Ηλεκτρική αγωγιμότητα (μs/cm)	100~2000
Συνολική σκληρότητα (mg CaCO ₃ /l)	60~150
Θειική ένωση (mg/l)	μέγ. 250

i ΣΗΜΕΙΩΣΗ

Το εύρος νερού θα είναι σύμφωνα με το s/UNE 112076:2004 IN.

8 ΥΔΡΑΥΛΙΚΟ ΚΥΚΛΩΜΑ

Κατά τη σύνδεση των σωληνώσεων νερού:

- 1 Συνδέστε όλους τους σωλήνες όσο πιο κοντά στη μονάδα μπορείτε, έτσι ώστε να είναι εύκολη η αποσύνδεσή τους εάν υπάρξει ανάγκη.
- 2 Συνιστάται να χρησιμοποιήσετε τις εύκαμπτες συνδέσεις για τη σωλήνωση της εισόδου και της εξόδου του νερού προκειμένου να αποφύγετε τη μετάδοση κραδασμών.
- 3 Όπου είναι δυνατόν, χρησιμοποιήστε βαλβίδες εκροής για τις σωληνώσεις του νερού, προκειμένου να ελαχιστοποιηθεί η αντίσταση ροής και να διατηρηθεί επαρκής ροή του νερού.
- 4 Συνιστάται η εφαρμογή σφαιρικών βαλβίδων για να διευκολυνθεί η εργασία συντήρησης.
- 5 Ελέγξτε για διαρροές εντός και εκτός του συστήματος, ανοίγοντας πλήρως τις βαλβίδες εισόδου και εξόδου ζεστού νερού στον συμπυκνωτή νερού.
- 6 Πρέπει να πραγματοποιηθεί πλήρως η εξαέρωση του αέρα σ' αυτή τη δεξαμενή DHW για να μην ακτινοβολούν τα στοιχεία θέρμανσης στο κάλυμμα της δεξαμενής χωρίς νερό.
- 7 Εφαρμόστε τη θερμική μόνωση στους σωλήνες του υδραυλικού συστήματος ώστε να αποφύγετε τυχόν τραυματισμό εξαιτίας υπερβολικής θερμότητας στις επιφάνειες των σωληνών και επίσης ώστε να αποφύγετε τις απώλειες θερμότητας.
- 8 Όταν η μονάδα σταματάει κατά τις περιόδους διακοπής λειτουργίας και η θερμοκρασία περιβάλλοντος είναι πολύ χαμηλή, είναι πιθανόν να παγώσει το νερό στους σωλήνες και στην αντλία κυκλοφορίας και έτσι να προκληθεί ζημιά στους σωλήνες και στην αντλία νερού. Για να αποφευχθεί αυτό, καλό είναι να αδειάζετε το νερό από την εγκατάσταση κατά τις περιόδους διακοπής λειτουργίας.

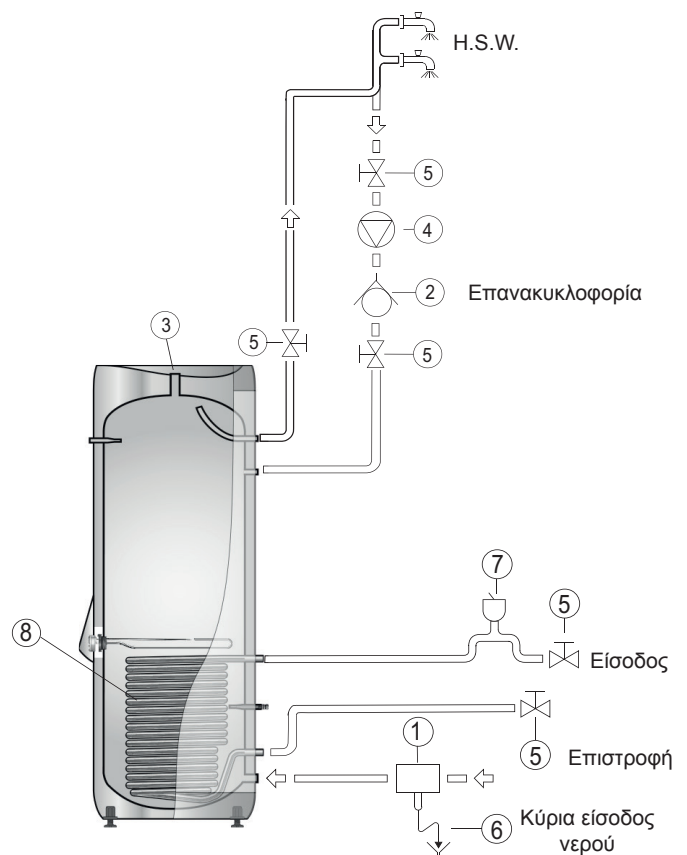
i ΣΗΜΕΙΩΣΗ

Ελέγχετε σε τακτά χρονικά διαστήματα:

- Τη ροή και πίεση του νερού
- Διαρροή νερού
- Σύσφιξη των σημείων στερέωσης

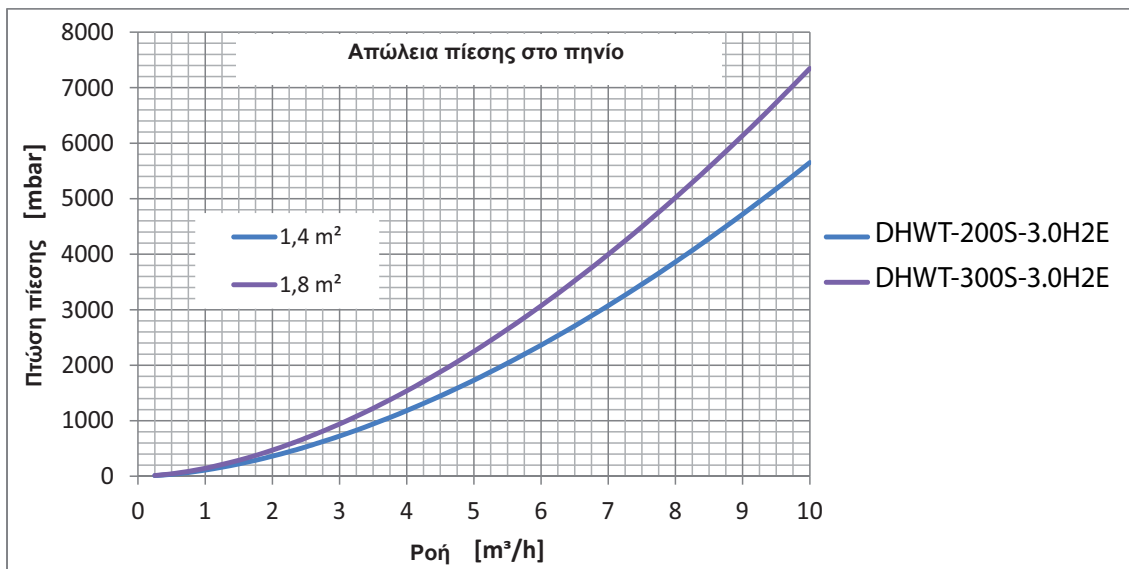
! ΠΡΟΣΟΧΗ

- Οι σωλήνες σύνδεσης εισόδου και εξόδου πρέπει να είναι 1G".
- Πρέπει να διατηρείται η κατεύθυνση ροής νερού όπως παρουσιάζεται σε προηγούμενο σχεδιάγραμμα.



1	Βαλβίδα ασφαλείας της μονάδας νερού
2	Βαλβίδα μη επιστροφής
3	Έξοδος νερού 2
4	Αντλία επανακυκλοφορίας
5	Κρουνός διακοπής
6	Αποστράγγιση
7	Εξαέρωση (αέρας)
8	Στοιχείο θέρμανσης

8.1 ΠΤΩΣΗ ΠΙΕΣΗΣ



9 ΗΛΕΚΤΡΙΚΗ ΚΑΛΩΔΙΩΣΗ

9.1 ΓΕΝΙΚΟΣ ΕΛΕΓΧΟΣ

- Βεβαιωθείτε ότι τα μη παρεχόμενα ηλεκτρικά εξαρτήματα (κύριοι διακόπτες τροφοδοσίας, διακόπτες κυκλώματος, καλώδια, συνδέσεις αγωγών και ακροδέκτες καλωδίων) έχουν επιλεγθεί σύμφωνα με τις προτεινόμενες προδιαγραφές. Βεβαιωθείτε ότι συμμορφώνονται με τους ηλεκτρολογικούς κανονισμούς σε εθνικό και τοπικό επίπεδο.
- Η ηλεκτρική σύνδεση πρέπει να γίνεται από επαγγελματία εγκαταστάτη.
- Βεβαιωθείτε ότι η τάση της τροφοδοσίας ισχύος βρίσκεται στο εύρος του +/- 10% της ονομαστικής τάσης.
- Βεβαιωθείτε επίσης ότι η τροφοδοσία ηλεκτρικού ρεύματος έχει χαμηλή σύνθετη αντίσταση ώστε να εγγυάται ότι η τάση εκκίνησης δεν θα πέφτει κάτω από το 85% της ονομαστικής τάσης.
- Βεβαιωθείτε ότι το καλώδιο της γείωσης είναι σωστά συνδεδεμένο, σεσημασμένο και στερεωμένο σύμφωνα με τους εθνικούς και τοπικούς κανονισμούς.
- Συνδέστε μια ασφάλεια της συγκεκριμένης ικανότητας.
- Ελέγχετε σε τακτά χρονικά διαστήματα τη σύσφιξη της ηλεκτρικής σύνδεσης.

ΠΡΟΣΟΧΗ

- Βεβαιωθείτε ότι οι βίδες της θερματικής μονάδας είναι καλά σφιγμένες.
- Προστατεύστε τα καλώδια, τα ηλεκτρικά μέρη και τους σωλήνες αποχέτευσης από ποντίκια και άλλα μικρά ζώα. Σε αντίθετη περίπτωση, τα ποντίκια μπορούν να καταστρέψουν τα απροστάτευτα μέρη ή ακόμη και να προκαλέσουν πυρκαγιά.
- Τυλίξτε τα καλώδια με ταινία για να τα προστατεύσετε από υγρασία ή έντομα.
- Ασφαλίστε τα καλώδια μέσα στη μονάδα με το σφιγκτήρα.
- Περάστε τα καλώδια αποφεύγοντας τυχόν επαφή με τις σωληνώσεις νερού.
- Προστατέψτε με ταινία τα καλώδια του ελέγχου συστήματος.

ΚΙΝΔΥΝΟΣ

- Μην πραγματοποιήσετε καμία σύνδεση ή ρύθμιση καλωδίωσης ή συνδέσεων αν δεν έχει απενεργοποιηθεί ο κύριος διακόπτης τροφοδοσίας.
- Αν υπάρχουν περισσότεροι του ενός διακόπτες τροφοδοσίας ενεργοποίησης/απενεργοποίησης, βεβαιωθείτε και ελέγξτε ότι όλοι είναι στη θέση OFF.

9.2 ΜΕΓΕΘΟΣ ΚΑΛΩΔΙΩΝ

Συνιστώμενα ελάχιστα μεγέθη για τα μη παρεχόμενα καλώδια

Μοντέλο	Τροφοδοσία	Μέγ. φορτίο ρεύματος	Μέγεθος καλωδίου τροφοδοσίας, ηλεκτρικός θερμαντήρας	Μέγεθος καλωδίου αισθητήρα
			EN60 335-1	EN60 335-1
DHWT	1~ 230V 50Hz	15A	2,5mm ²	0,75mm ²

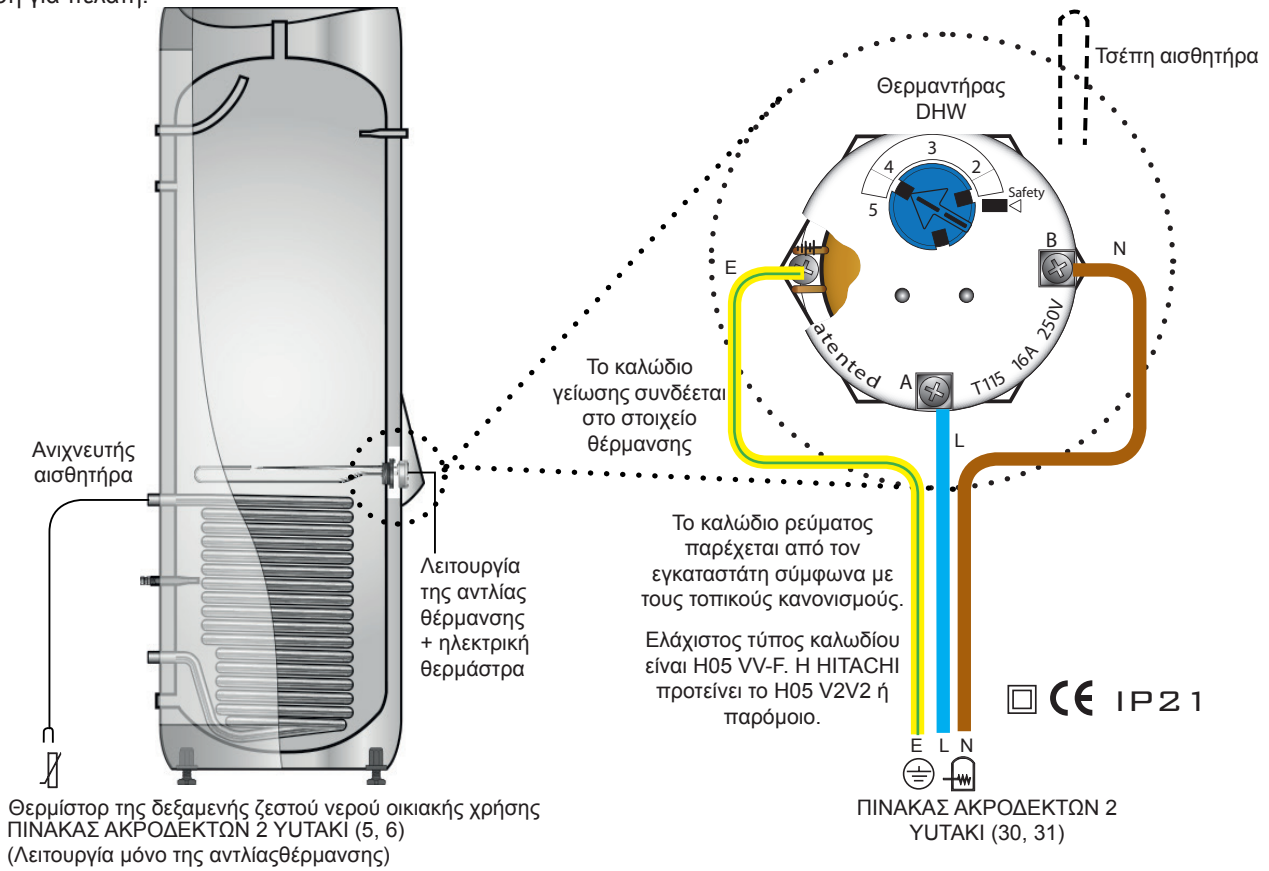
ΣΗΜΕΙΩΣΗ

- Ακολουθείτε τους τοπικούς κώδικες και κανονισμούς για την επιλογή των καλωδίων, διακοπών κυκλώματος και διακοπών διαρροής γείωσης που προμηθεύετε από το εμπόριο.
- Χρησιμοποιείτε καλώδια που δεν είναι ελαφρύτερα από το σύνηθες θωρακισμένο εύκαμπτο καλώδιο πολυχλωροπρενίου (τύπου H05RN-F).

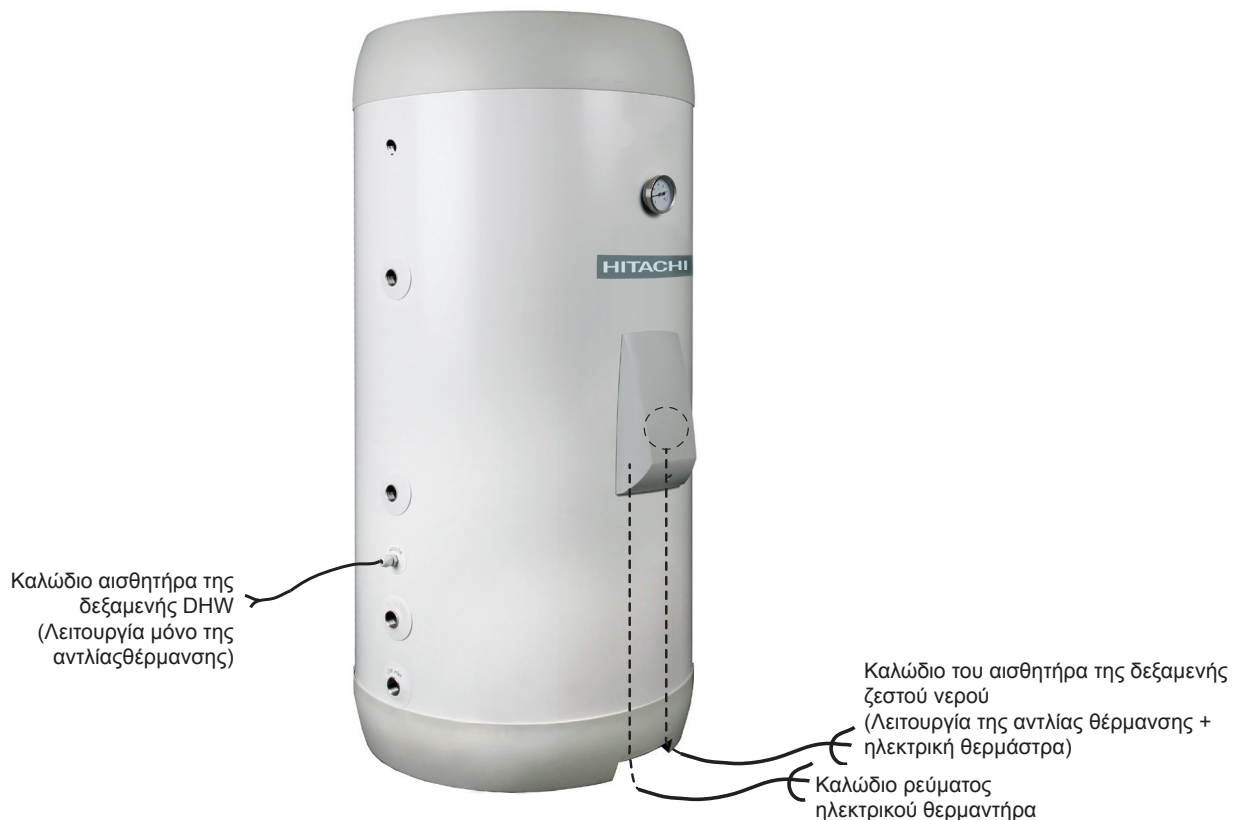
9.3 ΣΥΝΔΕΣΗ ΗΛΕΚΤΡΙΚΗΣ ΚΑΛΩΔΙΩΣΗΣ

Η σύνδεση ηλεκτρικής καλωδίωσης ανάμεσα στη δεξαμενή DHW και το σύστημα YUTAKI έχει ως εξής:

Σύνδεση για πελάτη:



9.4 ΕΣΩΤΕΡΙΚΗ ΚΑΛΩΔΙΩΣΗ



9.5 ΗΛΕΚΤΡΙΚΟΣ ΘΕΡΜΑΝΤΗΡΑΣ

Ο ηλεκτρικός θερμαντήρας είναι από κράμα Incoloy 825 σύμφωνα με την Ευρωπαϊκή οδηγία χαμηλής τάσης 2006/95/EK.

Αποτελείται από μια φλάντζα, η οποία συγκρατεί τρία στοιχεία θέρμανσης σε σχήμα U για αντιστάσεις ισχύος 3,0kw.

9.6 ΗΛΕΚΤΡΙΚΗ ΕΓΚΑΤΑΣΤΑΣΗ

9.6.1 Αντικατάσταση του θερμοστάτη/στοιχείο

Αποσυνδέστε την παροχή ισχύος και απομακρύνεται το κεντρικό κάλυμμα του ηλεκτρικού κουτιού. Κλείστε την παροχή νερού και αδειάστε τη μονάδα. Ξεβιδώστε τις βίδες στο θερμοστάτη και το στοιχείο.

Αν πρόκειται να αντικατασταθεί μόνο ο θερμοστάτης, το καλώδιο του στοιχείου μπορεί να παραμείνει. Ο θερμοστάτης απομακρύνεται τραβώντας από τις θήκες του στοιχείου.

Το στοιχείο μπορεί να απομακρυνθεί/αντικατασταθεί χρησιμοποιώντας ένα εργαλείο. Πρωτού τοποθετήσετε το στοιχείο, βεβαιωθείτε ότι ο δακτύλιος ασφαλείας σε σχήμα O πάνω στο στοιχείο είναι στη θέση του και δεν έχει υποστεί βλάβη.

Γεμίστε πλήρως τη μονάδα με νερό και βεβαιωθείτε ότι δεν υπάρχει διαρροή από το στοιχείο. Στερεώστε το καλώδιο στο στοιχείο. Εγκαταστήστε το θερμοστάτη ασκώντας σταθερή πίεση. Στερεώστε τα ηλεκτρικά καλώδια στο θερμοστάτη.

Σφίξτε καλά όλες τις συνδέσεις των καλωδίων. Σφίξτε ξανά μετά από 3 μήνες.

Το κεντρικό κάλυμμα του ηλεκτρικού κουτιού πρέπει να τοποθετηθεί ξανά και πρέπει να γεμίσετε τη μονάδα με νερό προτού ενεργοποιήσετε το ρεύμα.



9.7 ΜΕΤΡΑ ΑΣΦΑΛΕΙΑΣ

- Πρωτού πραγματοποιήσετε οποιοδήποτε χειρισμό, αποσυνδέστε πλήρως τη δεξαμενή DHW από την τροφοδοσία ηλεκτρικού ρεύματος. Πρέπει να είναι αποσυνδεδεμένα όλα τα κυκλώματα συνδέσεων.
- Η εγκατάσταση, η διαμόρφωση, η εκκίνηση και η συντήρηση των στοιχείων θέρμανσης πρέπει να πραγματοποιούνται από έναν εγκεκριμένο ηλεκτρολόγο. Πρέπει να τηρούνται όλα τα πρότυπα και οι κανονισμοί.
- Ο χρήστης είναι υπεύθυνος για τη διασφάλιση των βασικών απαιτήσεων σχετικά με την Ευρωπαϊκή οδηγία χαμηλής τάσης.
- Τα ηλεκτρικά στοιχεία θέρμανσης παράγουν υψηλές θερμοκρασίες. Πρέπει να ληφθούν προφυλάξεις για την προστασία των συσκευών και των ατόμων από εγκαύματα κατά τη λειτουργία και μετά την αποσύνδεση ή την εγκατάσταση της συσκευής.
- Ελάχιστο τμήμα καλωδίου:
- Προτεινόμενο καλώδιο για αντιστάσεις των 3,0kw: H05SJ-K σύμφωνα με το UNE 21027, και πρέπει να έχει τουλάχιστον τμήμα 2,5mm²
- Οι δεξαμενές πρέπει να διαθέτουν ένα θερμοστάτη για τον έλεγχο της θερμοκρασίας στη δεξαμενή DHW και έναν θερμοστάτη για περιορισμό των πόλων (η ρύθμιση αυτών των δύο εξαρτημάτων πρέπει να είναι συμβατή με τις παραμέτρους σχεδιασμού για τις δεξαμενές αποθήκευσης).
- Συνίσταται η εγκατάσταση κατάλληλων συσκευών ασφαλείας (συσκευή ασφαλείας θερμοκρασίας, επίπεδο ασφαλείας για θέρμανση υγρών μέσω φυσικής συναγωγής, συσκευή ασφαλείας ροής για τα υγρά σε κυκλοφορία, κλπ.).

10 ΣΥΝΟΨΗ ΑΣΦΑΛΕΙΑΣ ΚΑΙ ΡΥΘΜΙΣΕΙΣ ΣΥΣΚΕΥΗΣ ΕΛΕΓΧΟΥ

◆ Προστασία

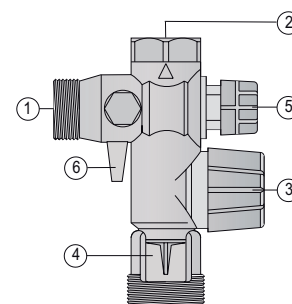
Ο διακόπτης αυτός διακόπτει τη λειτουργία της δεξαμενής DHW όταν η θερμοκρασία νερού στη δεξαμενή DHW είναι πάνω από 90°C.

Μοντέλο	Μονάδες	Δεξαμενή DHW
Θερμοστάτης		Μη αυτόματη αλλαγή ένδειξης
Αποσύνδεση	°C	90
Επαφές		
Ρεύμα	A	20 (AC1)
Τάση	V	230V
Αντιστάσεις θέρμανσης		
Παροχή ρεύματος	kW	3,0
Τάση	V	230V
Ø	χιλ	6,4
Αντιστάσεις σε ολόκληρο το ρακόρ στερέωσης	"G	1-1/4"
Ειδικό θερμικό φορτίο	W/cm ²	14,2
Υλικό		INCOLOY 825
Καλώδιο αντίστασης		Ni-Cr 80/20 Ø 0,45mm
Αισθητήρας της δεξαμενής DHW		NTC 20k

11 ΓΕΝΙΚΟ ΠΡΟΤΥΠΟ ΓΙΑ ΥΔΡΑΥΛΙΚΗ ΕΓΚΑΤΑΣΤΑΣΗ

- Η βαλβίδα ασφαλείας της μονάδας πρέπει να τοποθετηθεί στην εγκατάσταση του νερού οικιακής χρήσης.
- Ένας μειωτής πίεσης πρέπει να τοποθετηθεί στην εγκατάσταση της δεξαμενής DHW. Η ονομαστική πίεση της μονάδας ασφαλείας πρέπει να είναι 8 bar.
- Όταν η κύρια πίεση είναι πάνω από 6 bar, πρέπει να εγκατασταθεί ένας μειωτής πίεσης.
- Η αποχέτευση νερού κατά την θέρμανση (εκτόνωση) είναι κανονική. Ο όγκος αυτής της αποχέτευσης μπορεί να είναι έως 3% της ικανότητας αποθήκευσης της δεξαμενής.
- Η συσκευή της ρύθμισης πίεσης πρέπει να λειτουργεί τακτικά, ανάλογα την ποιότητα του νερού ώστε να απομακρύνει τις επικαθίσεις ανθρακικού ασβεστίου (άλατα) και ελέγξει ότι δεν φράζει.
- Υπάρχει το ενδεχόμενο διαρροής νερού στη συσκευή προστασίας της πίεσης. Ο σωλήνας αποχέτευσης πρέπει να είναι πάντα ανοιχτός στην ατμόσφαιρα, χωρίς πάγο και με συνεχόμενη κλίση προς τα κάτω.
- Πρέπει να τοποθετηθούν διηλεκτρικοί δακτύλιοι στην είσοδο και εξόδο νερού οικιακής χρήσης και στις συνδέσεις κυκλώματος της δεξαμενής.
- Εκκένωση της δεξαμενής DHW: Κλείστε την κύρια βαλβίδα της εισόδου νερού και ανοίξτε τη βαλβίδα εκτόνωσης της ομάδας νερού ασφαλείας.

Αναφ.	Όνομα
①	Κύρια είσοδος νερού
②	Σύνδεση εισόδου της δεξαμενής DHW
③	Βαλβίδα ασφαλείας και χειροκίνητη εκκένωση
④	Σύνδεση εκκένωσης
⑤	Βαλβίδα ελέγχου
⑥	Βαλβίδα κλεισίματος

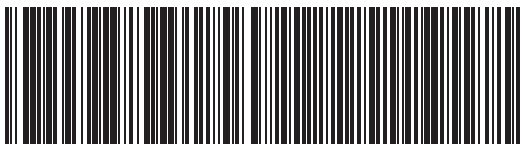


HITACHI

00000

Hitachi Air Conditioning Products Europe, SAU
Ronda Shimizu, 1 - Políg. Ind. Can Torrella
08233 Vacarisses (Barcelona) Spain

© Copyright 2016 HITACHI Air Conditioning Products Europe, S.A.U. – All rights reserved.



PMML0347B rev.1 - 06/2016

Printed in Spain